



Technical details and mounting  
guidelines for **plasterboard lining  
systems and shaft-walls**





 Siniat

# DETAIL ENGINEERING FOR SHAFT-WALL AND LINING SYSTEMS

## NIDA System T.CD - lining fixed with intermediate clamps

NIDA System T.CD single-layer lining on NIDA Metal CD/UD structure, with intermediate fixing .....	4
NIDA System T.CD double-layer lining on NIDA Metal CD/UD structure, with intermediate fixing .....	8
NIDA System T.CD triple-layer lining on NIDA Metal CD/UD structure, with intermediate fixing .....	12
NIDA System T.CD four-layer lining on NIDA Metal CD/UD structure, with intermediate fixing .....	16
NIDA System T.CD five-layer lining on NIDA Metal CD/UD structure, with intermediate fixing .....	20

## NIDA System T.CW.F - lining fastened with intermediate corner iron

NIDA System T.CW.F single-layer lining on NIDA Metal CW/UW structure, with intermediate fixing .....	24
NIDA System T.CW.F double-layer lining on NIDA Metal CW/UW structure, with intermediate fixing .....	30
NIDA System T.CW.F triple-layer lining on NIDA Metal CW/UW structure, with intermediate fixing .....	36
NIDA System T.CW.F four-layer lining on NIDA Metal CW/UW structure, with intermediate fixing .....	42
NIDA System T.CW.F five-layer lining on NIDA Metal CW/UW structure, with intermediate fixing .....	48

## NIDA System SH.CW.I

Shaft-walls with NIDA System SH.CW.I single-layer lining on NIDA Metal CW/UW independent structure .....	54
Shaft-walls with NIDA System SH.CW.I double-layer lining on NIDA Metal CW/UW independent structure .....	60
Shaft-walls with NIDA System SH.CW.I triple-layer lining on NIDA Metal CW/UW independent structure .....	66
Shaft-walls with NIDA System SH.CW.I four-layer lining on NIDA Metal CW/UW independent structure .....	72
Shaft-walls with NIDA System SH.CW.I five-layer lining on NIDA Metal CW/UW independent structure .....	78

## NIDA System SH.W250

Shaft-walls with NIDA System SH.W250 double-layer lining on NIDA Metal CW/UW independent support structure ..	84
Shaft-walls with NIDA System SH.W250 triple-layer lining on NIDA Metal CW/UW independent support structure .....	86
Shaft-walls with NIDA System SH.W250 four-layer lining on NIDA Metal CW/UW independent support structure .....	88
Shaft-walls with NIDA System SH.W250 five-layer lining on NIDA Metal CW/UW independent support structure .....	90

## NIDA System SH.UU

Shaft-wall with NIDA System SH.UU single-layer lining inwards and outwards on NIDA Metal UW/UD independent support structure .....	92
Shaft-wall with NIDA System SH.UU single-layer lining inwards and double-layer lining outwards on NIDA Metal UW/UD independent support structure .....	94
Shaft-wall with NIDA System SH.UU double-layer lining inwards and outwards on NIDA Metal UW/UD independent support structure .....	96
Shaft-wall with NIDA System SH.UU triple-layer lining inwards and outwards on NIDA Metal UW/UD independent support structure .....	100

## NIDA System N.CW.I

Shaft-wall with NIDA System N.CW.I single-layer lining inwards and outwards on NIDA Metal CW/UW double independent structure .....	104
Shaft-wall with NIDA System N.CW.I double-layer lining inwards and outwards on NIDA Metal CW/UW double independent structure .....	108
Shaft-wall with NIDA System N.CW.I triple-layer lining inwards and outwards on NIDA Metal CW/UW double independent structure .....	112

## NIDA System N.CW.F

NIDA System Noisy triple-layer lining inwards and outwards with N.CW.F intermediate fixing on NIDA Metal CW/UW double structure .....	116
--	-----

## Door pre-frames

Door pre-frames on NIDA Metal UA50/UA75/UA100 structure .....	120
NIDA Metal UA50/75/100 profile jointing .....	124

## MOUNTING GUIDELINES

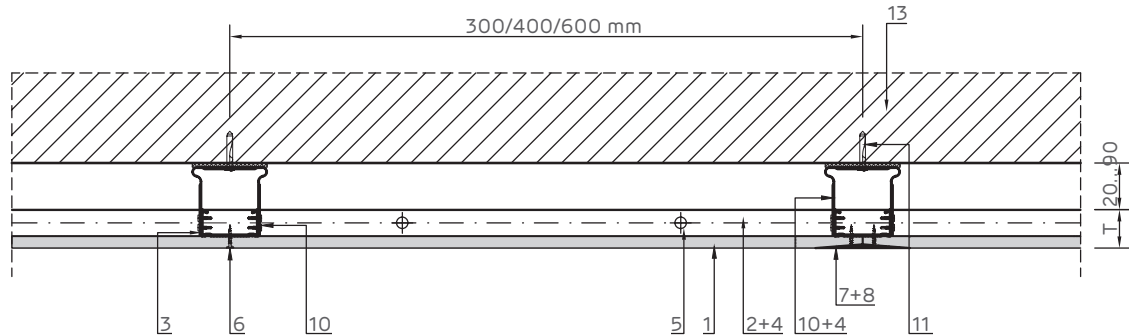
Lining and shaft-wall installation guidelines on NIDA Metal structure .....	128
Bond lining installation guidelines .....	134
General considerations .....	137



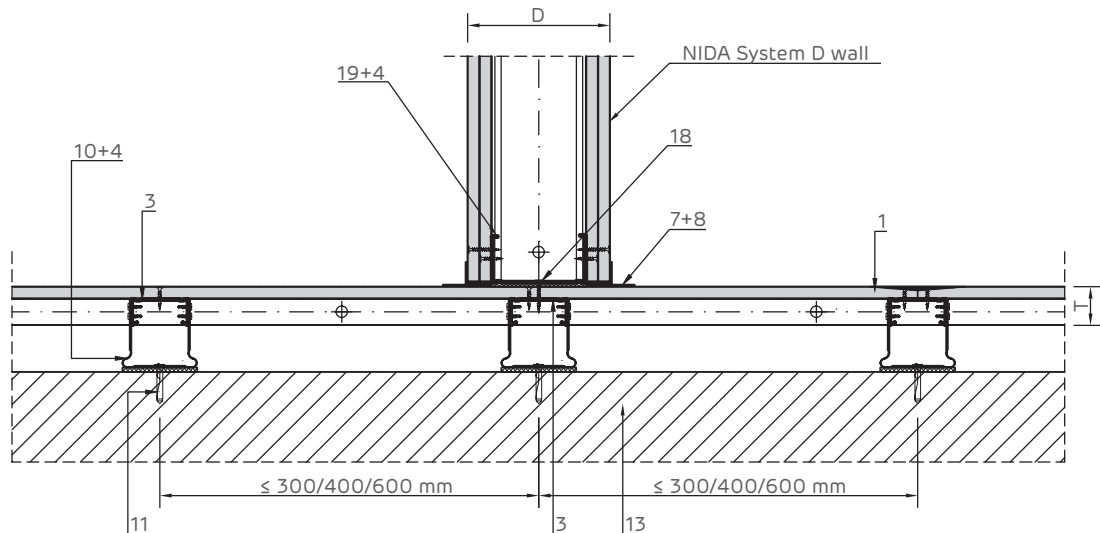
## NIDA System T.CD

NIDA System T.CD single-layer lining on NIDA Metal CD/UD structure, with intermediate fixing

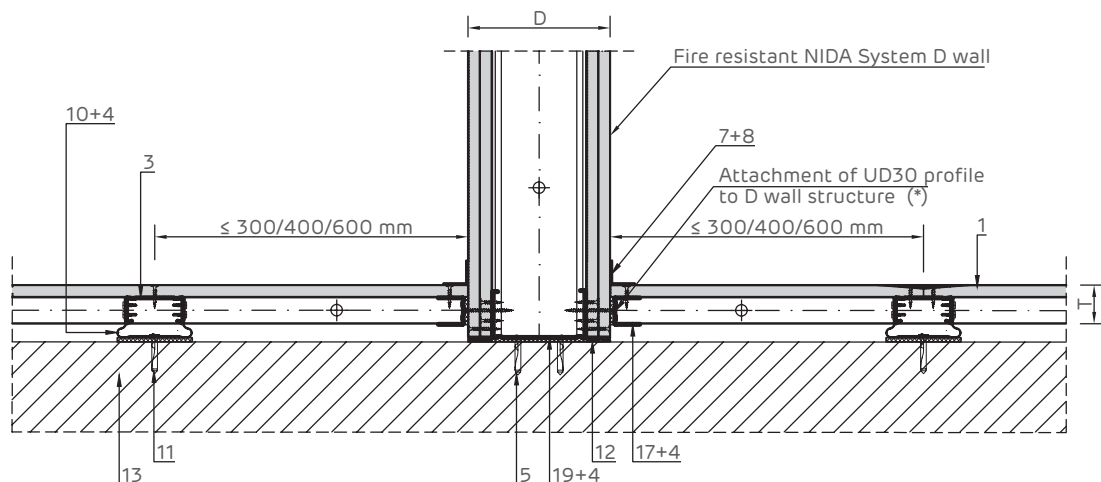
Attachment to stiff support. Horizontal section.



Crossing with D wall less resistant to fire  
Horizontal section.



Crossing with D wall more resistant to fire  
Horizontal section.



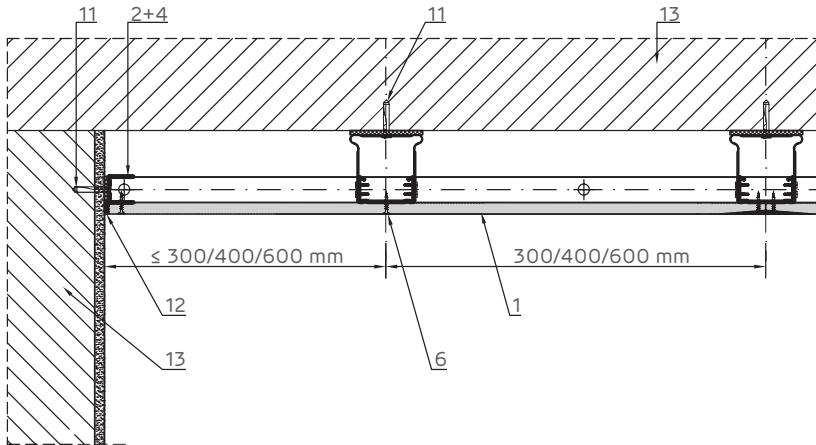
### NOTE (\*):

NIDA Metal UD30 end profile may be fixed to NIDA System D wall via:

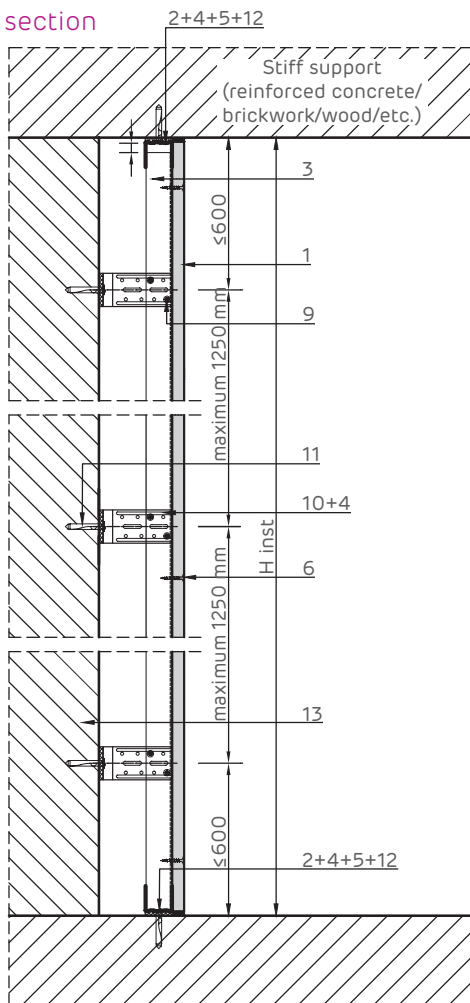
- Self-tapping screws + flat washer @ 500 mm, for fixing into wall CW profile
- Molly metal dowel @ 500 mm, for fixing into wall plasterboard



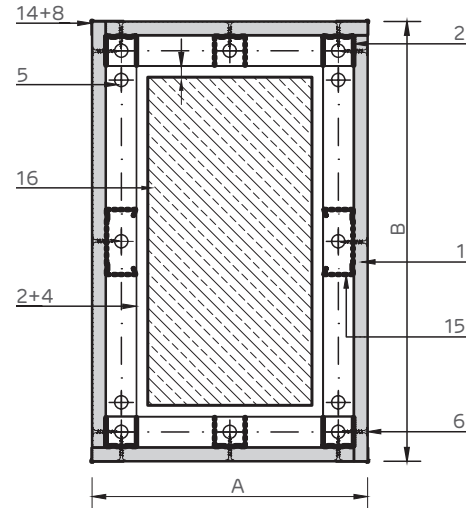
Rigid jointing with sturdy item Horizontal section.



Vertical section



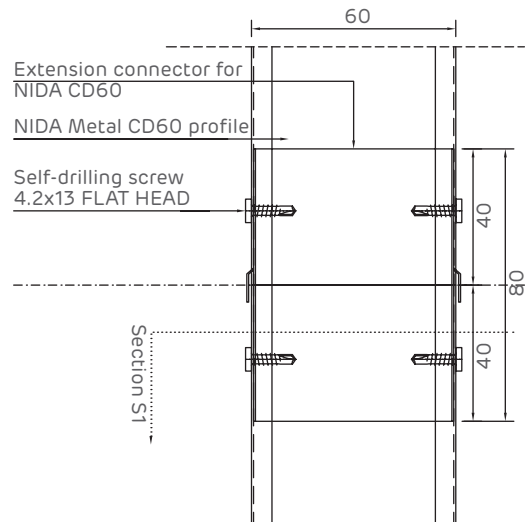
Lining of a wooden item



NOTE:

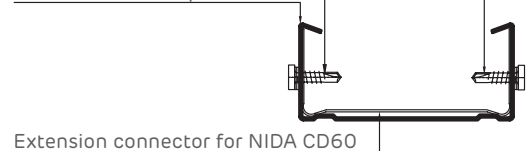
A minimum of 3 fasteners should be fitted along NIDA Metal UD. (\*3) If the lining size (A/B) exceeds the maximum value of 600 mm, an additional upright (marked with a dotted line in the plan) should be placed.

Detail of NIDA Metal CD60 profile jointing.



Section S1

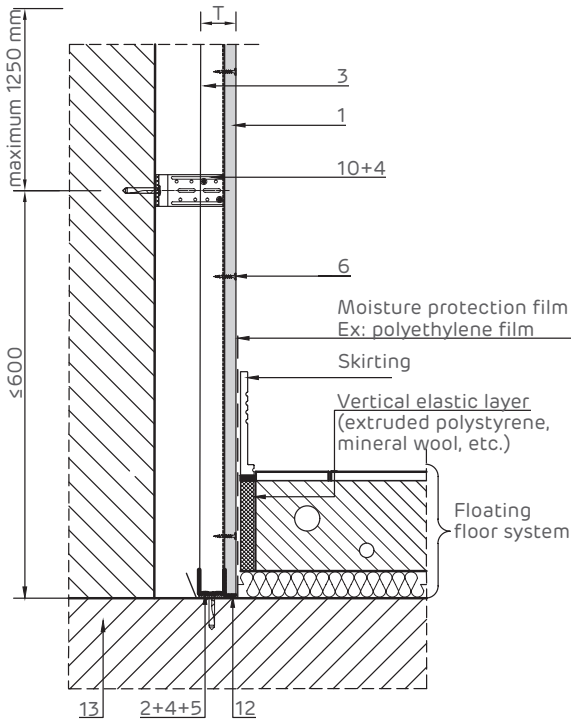
Self-drilling screw 4.2x13 FLAT HEAD 2x2 pcs/strip  
NIDA Metal CD60 profile



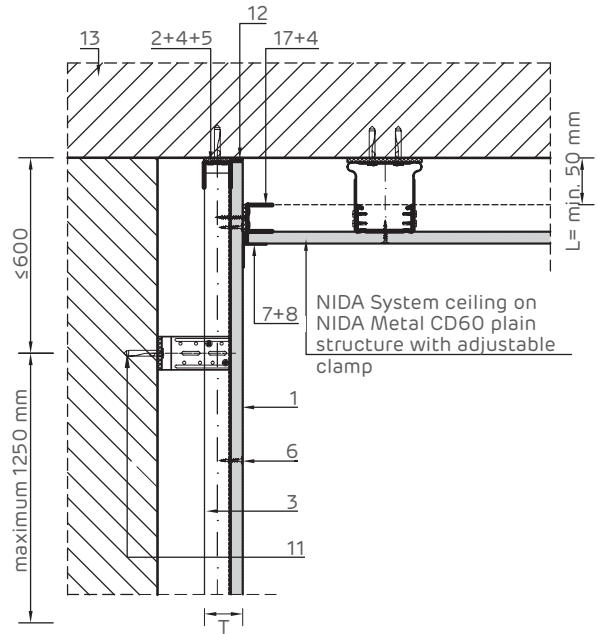
- ① 1x Siniat plasterboard
- ② NIDA Metal UD30 runner profile
- ③ NIDA Metal CD60 profile
- ④ Single-sided sealing tape
- ⑤ Mechanical fixing - Max. pitch 500 mm (\*1)
- ⑥ Self-tapping screw 212xL1 @ 300
- ⑦ Jointing tape (\*2)
- ⑧ NIDA Profesional jointing plaster
- ⑨ Self-drilling screw 4.2x13 FLAT HEAD 2x2 pcs/fastener
- ⑩ Adjustable clamp

- ⑪ Mechanical fixing (\*1) 1 pc/fastening
- ⑫ NIDA Boardfix
- ⑬ Stiff support (reinforced concrete/brickwork/wood/ etc.)
- ⑭ Corner protection profile
- ⑮ NIDA Metal CD60 additional profile
- ⑯ Wooden item
- ⑰ NIDA Metal UD30 end profile
- ⑱ Self-tapping screw 212xL2 + flat washer @ 500 mm
- ⑲ NIDA Metal CW profile
- ⑳ MOLLY @ 500 mm metal dowel

Detailed crossing with floating floor system. Vertical section at bottom of lining for superior acoustic performance.

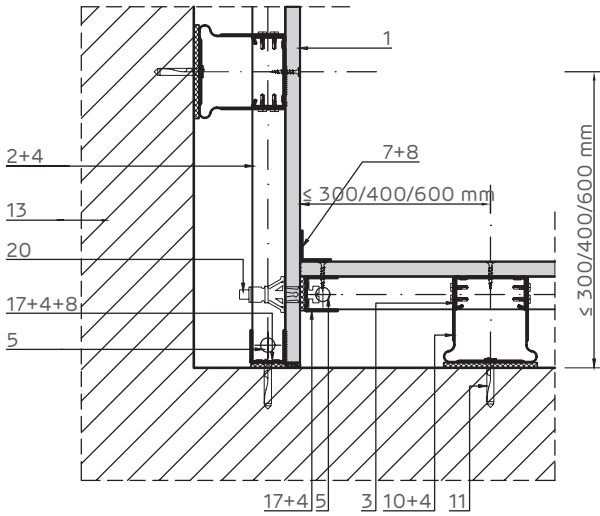


Detailed crossing with suspended ceiling on plain structure with adjustable clamp. Vertical section

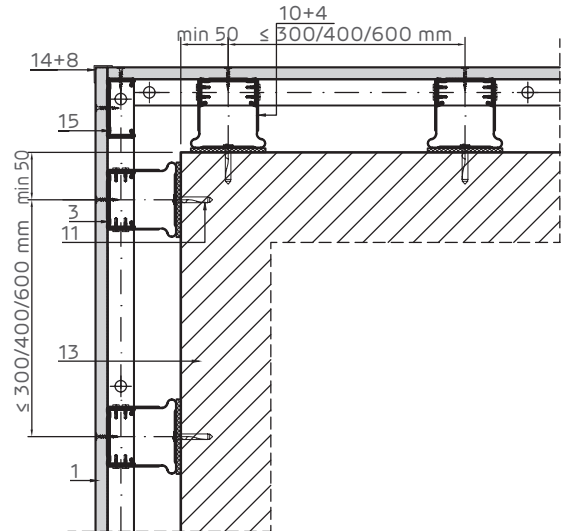


**NOTE:**  
NIDA Metal UD runner profile may not be fixed to the wall structure in the plasterboard sliding area.

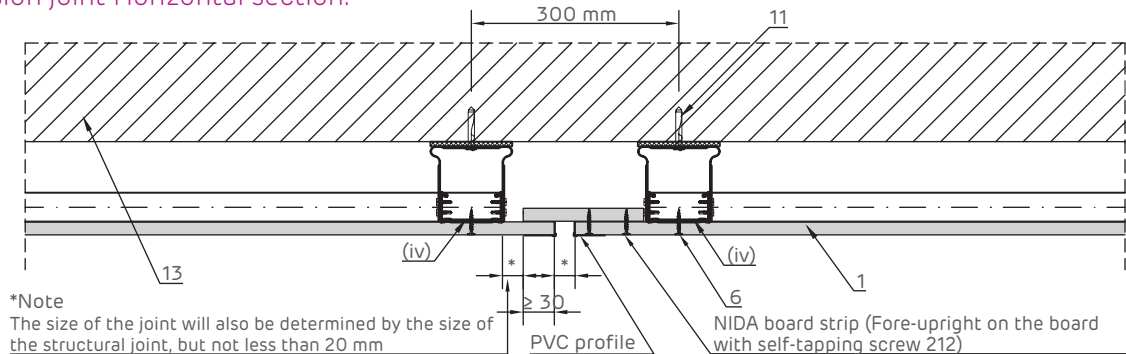
90° corner joint. Horizontal section.



270° corner joint. Horizontal section.



Expansion joint Horizontal section.



**\*Note**  
The size of the joint will also be determined by the size of the structural joint, but not less than 20 mm

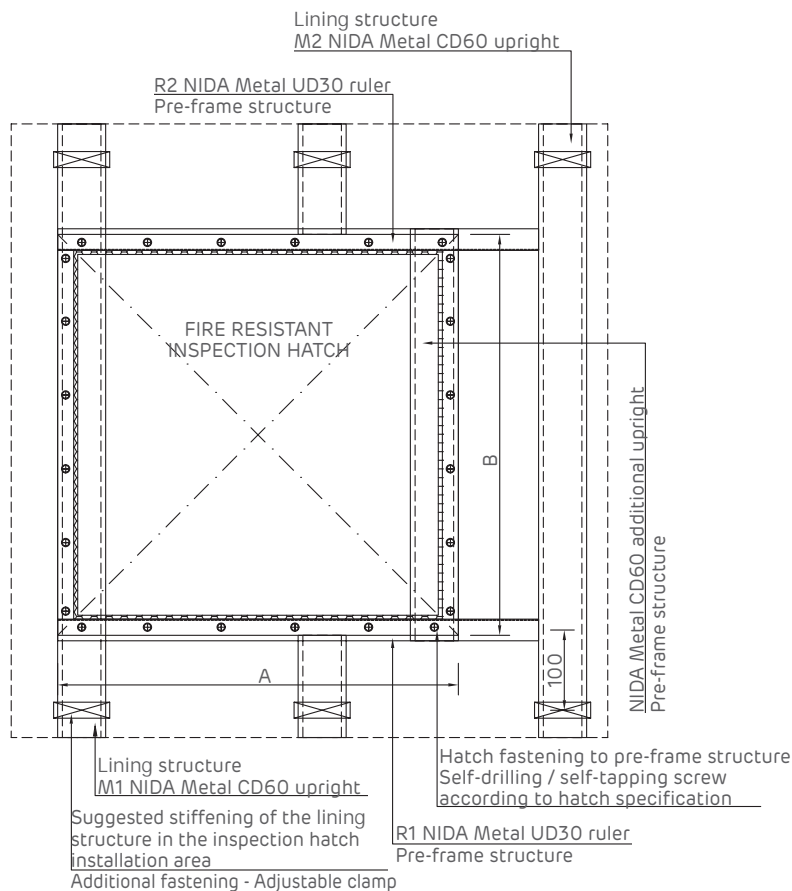
NIDA board strip (Fore-upright on the board with self-tapping screw 212)

**NOTE:**

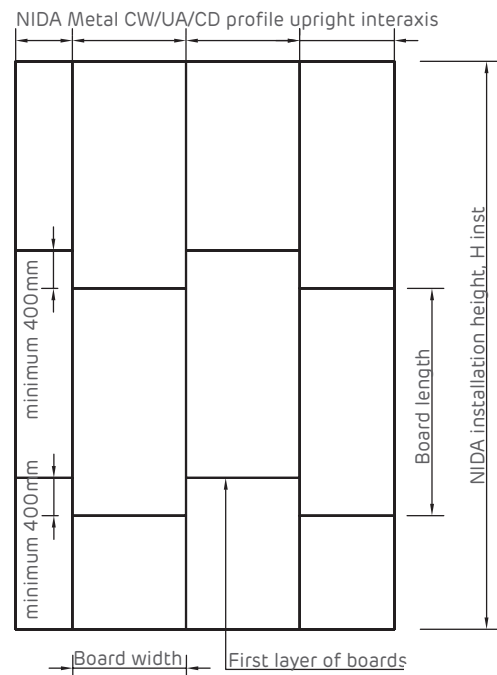
- (iv) For the last plasterboard layer, it is not acceptable to make a joint in front of the specified upright.
- (v) In the case of lining longer than 15 m, a vertical joint should be made every 10 m of the system; The joint should also be placed in front of structural joints.



## Access hatch elevation.



Board staggering. System elevation. Vertical and horizontal joints should be staggered to avoid overlap.



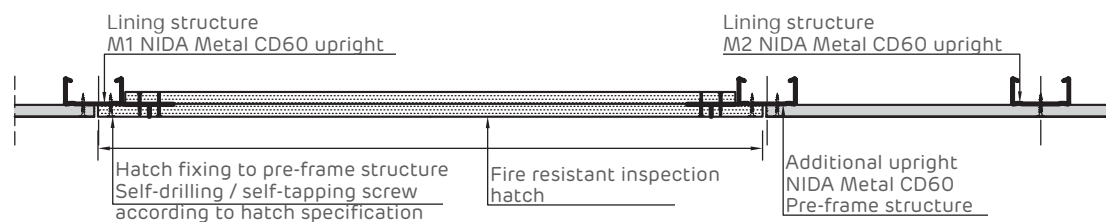
### NOTE (\*):

The pre-frame structure (Rulers R1, R2 + Uprights M1, M2) used for fixing the hatch will be sized according to the following points:

- Hatch sizes (A, B)
- Hatch weight
- Lining height and configuration

If the NIDA System lining is intended to be fire resistant from both directions, then the installed hatch shall also be fire resistant from both directions.

## NIDA System T - Single-layer lining on NIDA Metal CD profiles with intermediate fixing. Horizontal section of the inspection hatch.



### NOTE:

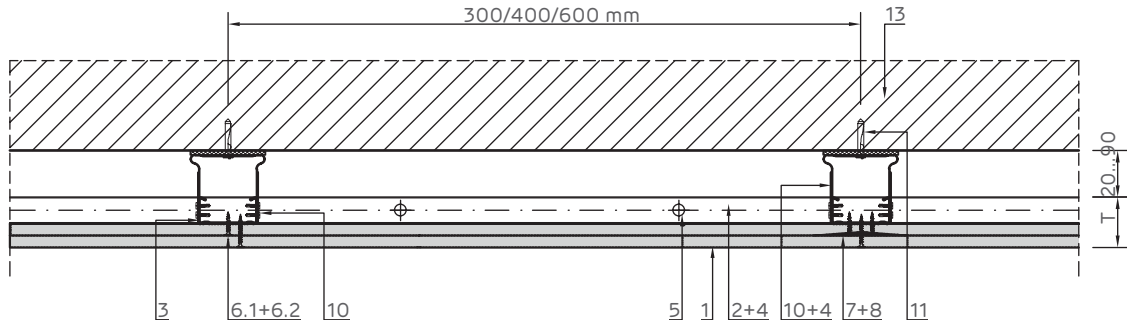
The detail presented is general in nature and focuses on the stiffening of the structure in the hatch installation area. It will be customised according to the model of hatch to be installed in the NIDA system

- 1x Siniat plasterboard
- NIDA Metal UD30 runner profile
- NIDA Metal CD60 profile
- Single-sided sealing tape
- Mechanical fixing - Max. pitch 50 cm (\*1)
- Self-tapping screw 212xL1 @ 300
- Jointing tape (\*2)
- NIDA Profesional jointing plaster
- Self-drilling screw 4.2x13 FLAT HEAD 2x2 pcs/fastener
- Adjustable clamp
- Mechanical fixing (\*1) 1 pc/fastening
- NIDA Boardfix
- Stiff support (reinforced concrete/brickwork/wood/etc.)
- Corner protection profile
- NIDA Metal CD60 additional profile
- Wooden item
- NIDA Metal UD30 end profile
- Self-tapping screw 212xL2 + flat washer @ 500 mm
- NIDA Metal CW profile
- MOLLY @ 500 mm metal dowel

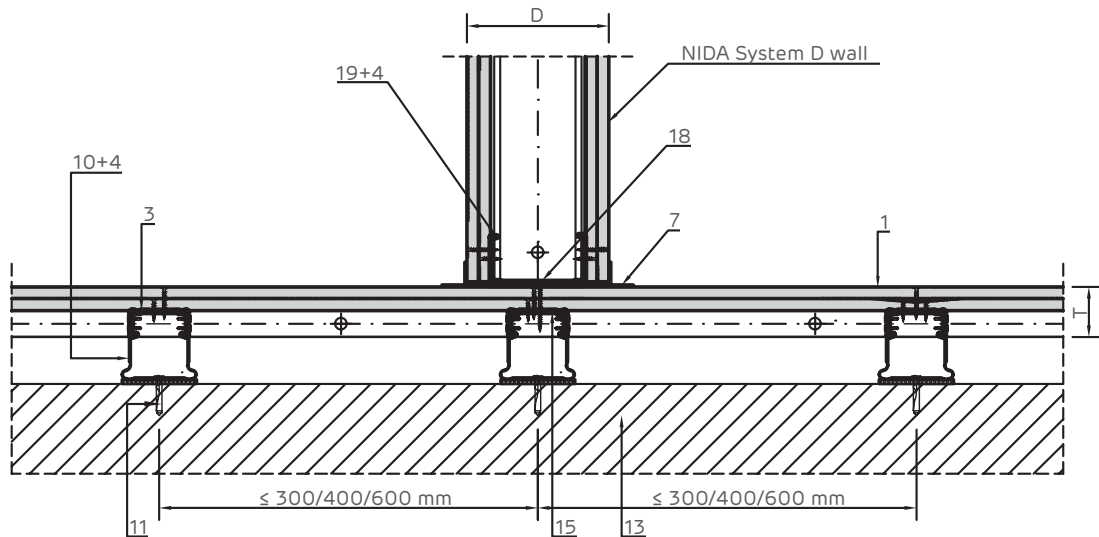
## NIDA System T.CD

NIDA System T.CD double-layer lining on NIDA Metal CD/UD structure, with intermediate fixing

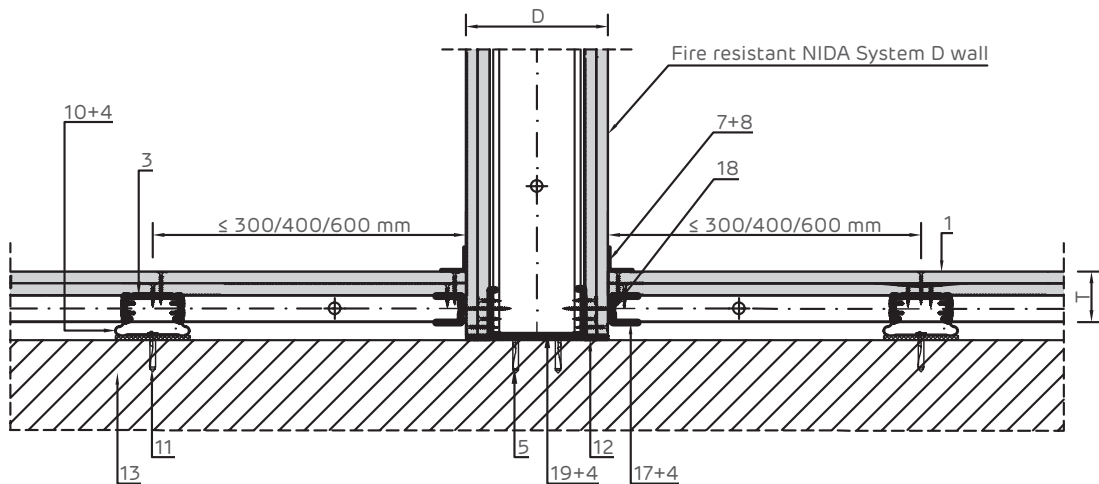
Attachment to stiff support. Horizontal cross-section.



Crossing with D wall less resistant to fire  
Horizontal section.



Crossing with D wall more resistant to fire  
Horizontal section.



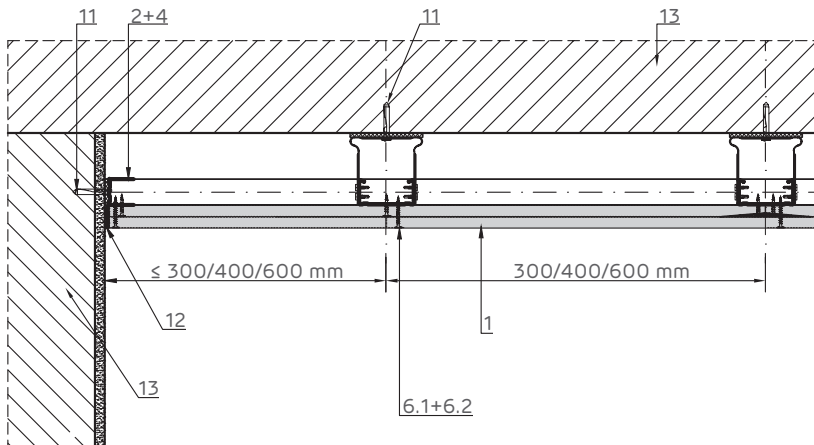
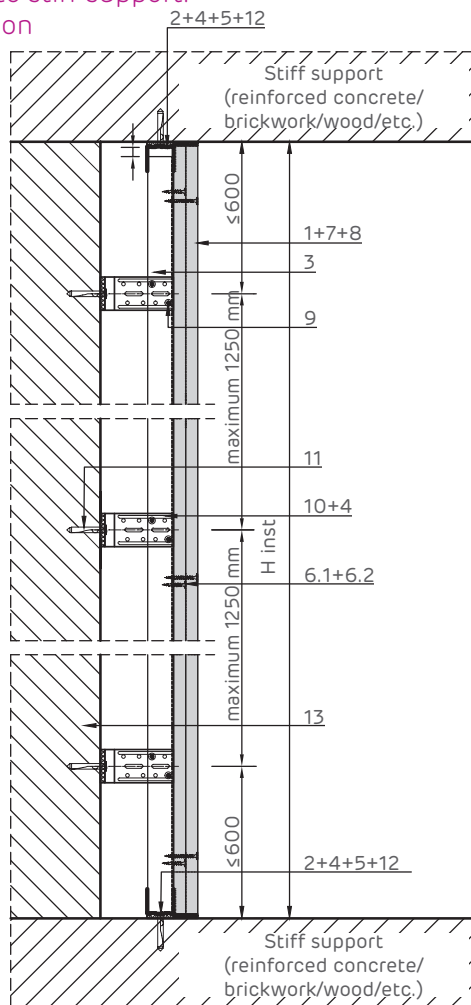
### NOTE (\*):

NIDA Metal UD30 end profile may be fixed to NIDA System D wall via:

- Self-tapping screws + flat washer @ 500 mm, for fixing into wall CW profile
- Molly metal dowel @ 500 mm, for fastening into wall plasterboard



## Rigid jointing with sturdy item Horizontal section.

Attachment to stiff support.  
Vertical section

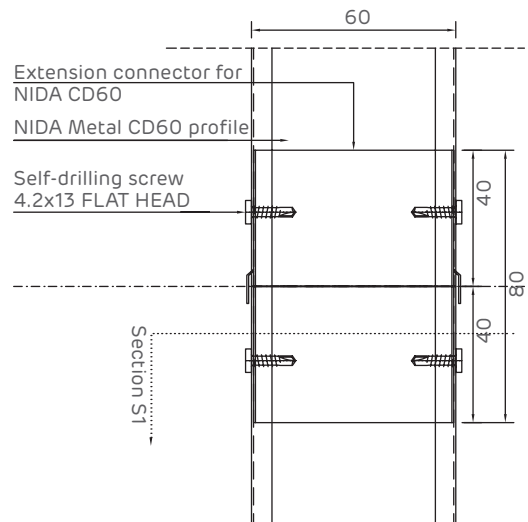
- 1 2x Siniat plasterboard
- 2 NIDA Metal UD30 runner profile
- 3 NIDA Metal CD60 profile
- 4 Single-sided sealing tape
- 5 Mechanical fixing - Max. pitch 500 mm (\*1)
- 6.1 Self-tapping screw 212xL1 @ 600
- 6.2 Self-tapping screw 212xL2 @ 300
- 7 Jointing tape (\*2)
- 8 NIDA Profesional jointing plaster
- 9 Self-drilling screw 4.2x13 FLAT HEAD 2x2 pcs/fastener
- 10 Adjustable clamp

Lining of a wooden item  
Horizontal section.

## NOTE (\*3):

If the lining size (A/B) exceeds the maximum value of 600 mm, an additional upright (shown as a dotted line in the plan) will be placed.

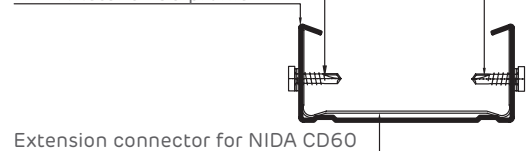
## Detail of NIDA Metal CD60 profile jointing.



## Section S1

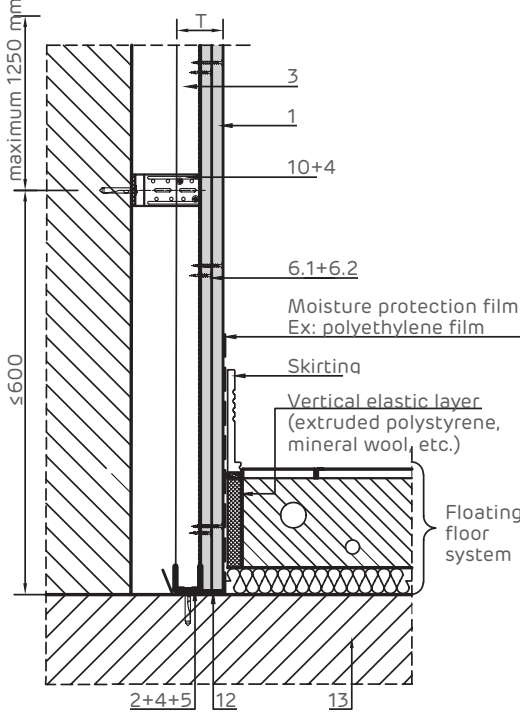
Self-drilling screw 4.2x13 FLAT HEAD 2x2 pcs/strip

NIDA Metal CD60 profile

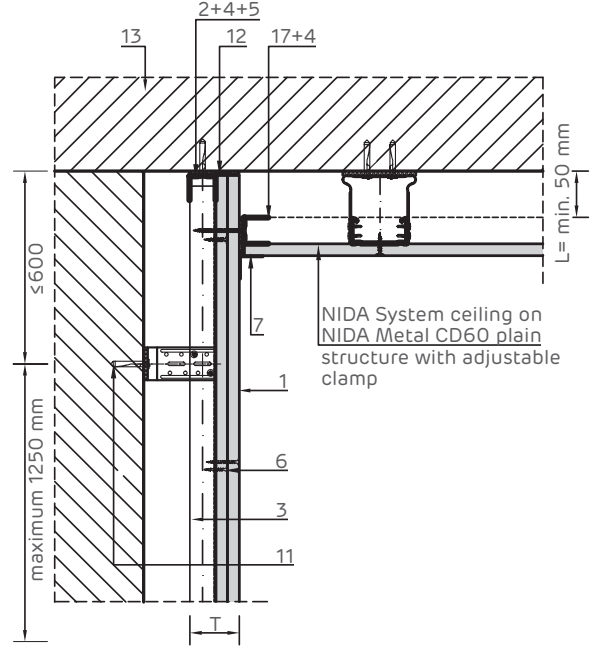


- 11 Mechanical fixing (\*1) 1 pc/fastening
- 12 NIDA Boardfix
- 13 Stiff support (reinforced concrete/brickwork/wood/etc.)
- 14 Corner protection profile
- 15 NIDA Metal CD60 additional profile
- 16 Wooden item
- 17 NIDA Metal UD30 end profile
- 18 Self-tapping screw 212xL3 + flat washer @ 500 mm
- 19 NIDA Metal CW profile
- 20 MOLLY @ 500 mm metal dowel

Detailed crossing with floating floor system. Vertical section at the bottom of the lining. For superior acoustic performance.

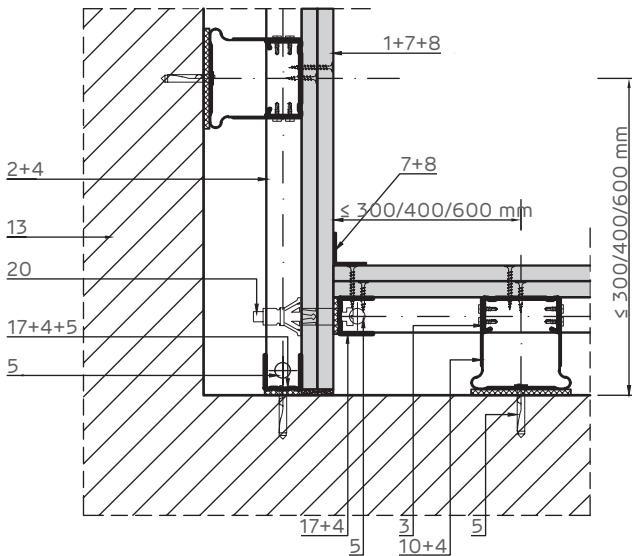


Detailed crossing with suspended ceiling on plain structure with adjustable clamp. Vertical section

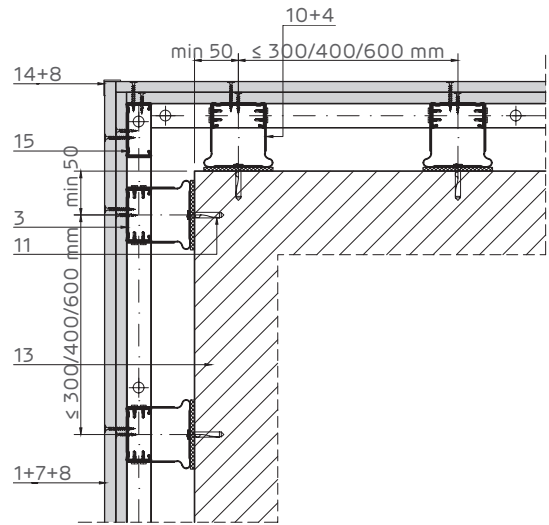


**NOTE:**  
NIDA Metal UD runner profile may not be fixed to the wall structure in the plasterboard sliding area.

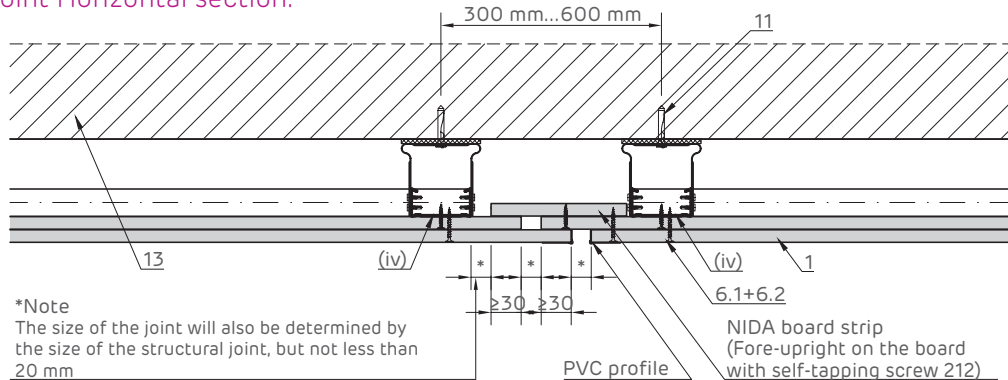
90° corner joint. Horizontal cross-section.



270° corner joint. Horizontal section.



Expansion joint Horizontal section.

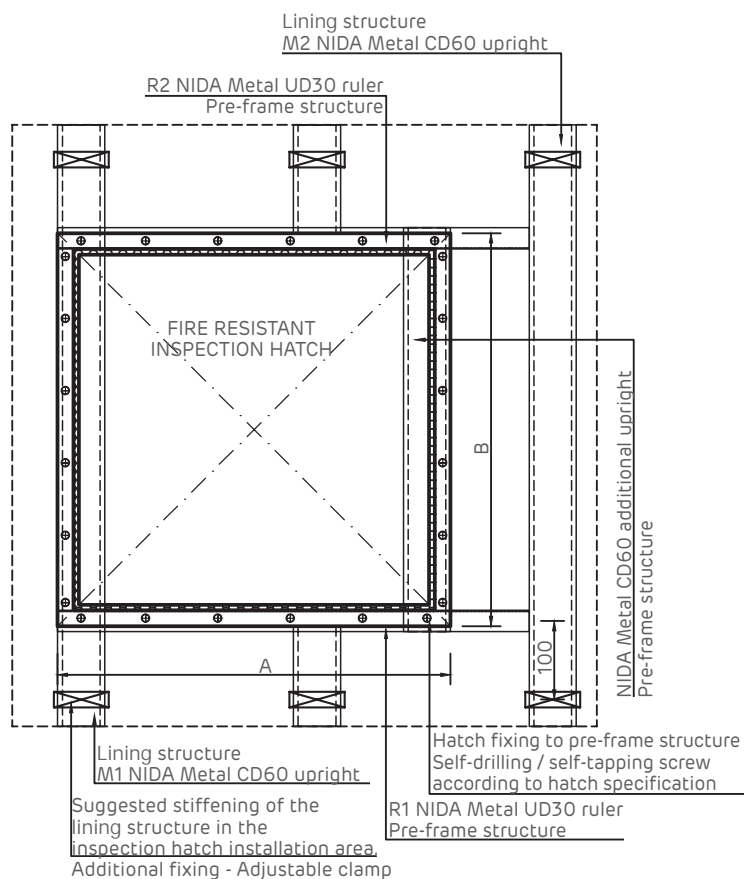


\*Note  
The size of the joint will also be determined by the size of the structural joint, but not less than 20 mm

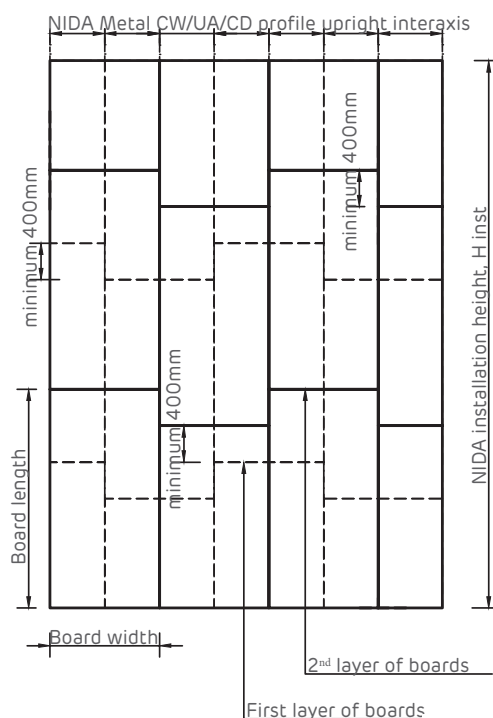
**NOTE:**  
(iv) For the last plasterboard layer, it is not acceptable to make a joint in front of the specified upright.  
(v) In the case of lining longer than 15 m, a vertical joint should be made every 10 m of the system; The joint should also be placed in front of structural joints.



## Access hatch elevation.



Board staggering. System elevation.  
Vertical and horizontal joints should  
be staggered to avoid overlap.

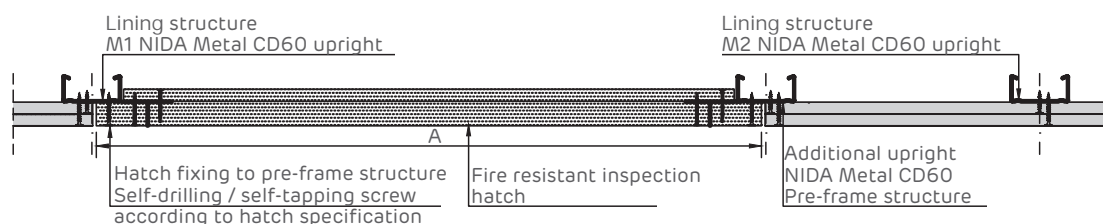
**NOTE (\*):**

The pre-frame structure (Rulers R1, R2 + Uprights M1, M2) used for fixing the hatch will be sized according to the following points:

- Hatch sizes (A, B)
- Hatch weight
- Lining height and configuration

If the NIDA System lining is intended to be fire resistant from both directions, then the installed hatch shall also be fire resistant from both directions.

### NIDA System T - Double-layer lining on NIDA Metal CD profiles with intermediate fixing. Horizontal section of the inspection hatch.

**NOTE:**

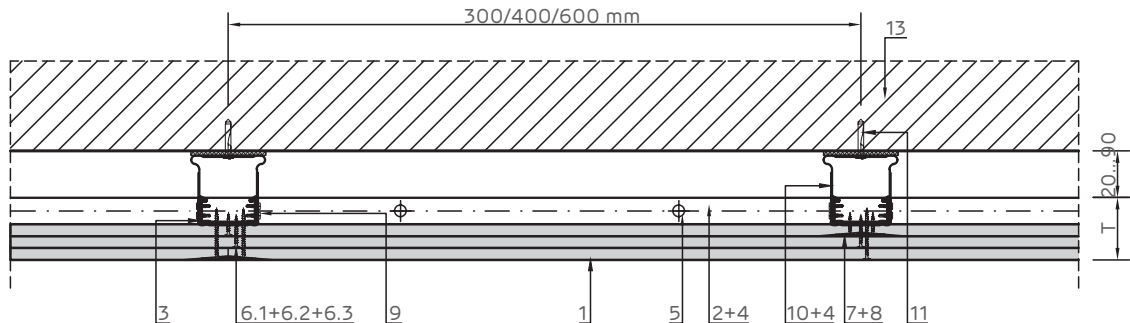
The detail presented is general in nature and focuses on the stiffening of the structure in the hatch installation area. It will be customised according to the model of hatch to be installed in the NIDA system

- 1 2x Siniat plasterboard
- 2 NIDA Metal UD30 runner profile
- 3 NIDA Metal CD60 profile
- 4 Single-sided sealing tape
- 5 Mechanical fixing - Max. pitch 500 mm (\*1)
- 6.1 Self-tapping screw 212xL1 @ 600
- 6.2 Self-tapping screw 212xL2 @ 300
- 7 Jointing tape (\*2)
- 8 NIDA Profesional jointing plaster
- 9 Self-drilling screw 4.2x13 FLAT HEAD 2x2 pcs/fastener
- 10 Adjustable clamp
- 11 Mechanical fixing (\*1) 1 pc/fastening
- 12 NIDA Boardfix
- 13 Stiff support (reinforced concrete/brickwork/wood/etc.)
- 14 Corner protection profile
- 15 NIDA Metal CD60 additional profile
- 16 Wooden item
- 17 NIDA Metal UD30 end profile
- 18 Self-tapping screw 212xL3 + flat washer @ 500 mm
- 19 NIDA Metal CW profile
- 20 MOLLY @ 500 mm metal dowel

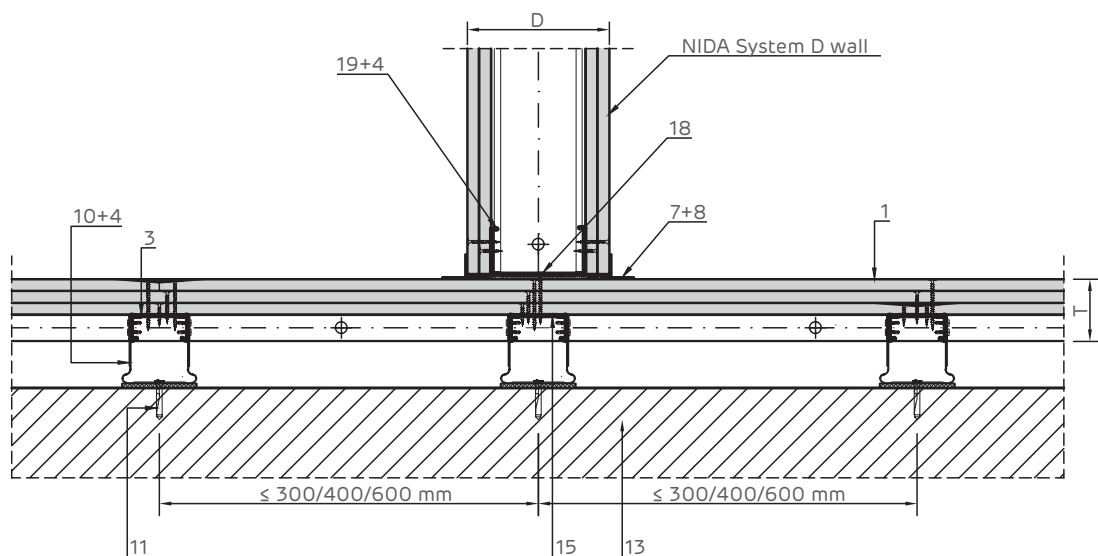
## NIDA System T.CD

NIDA System T.CD triple-layer lining on NIDA Metal CD/UD structure, with intermediate fixing

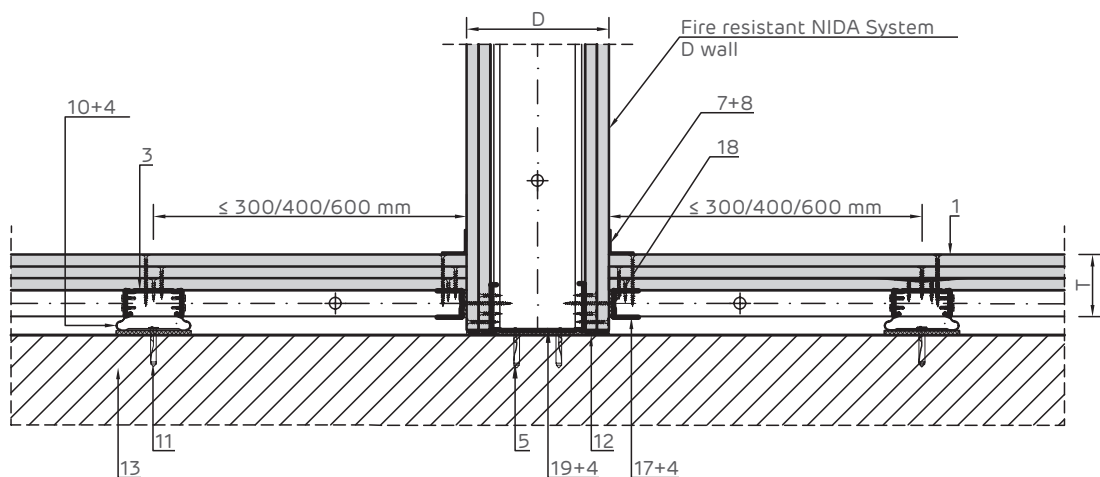
Attachment to stiff support. Horizontal section.



Crossing with D wall less resistant to fire  
Horizontal section.



Crossing with D wall more resistant to fire  
Horizontal section.

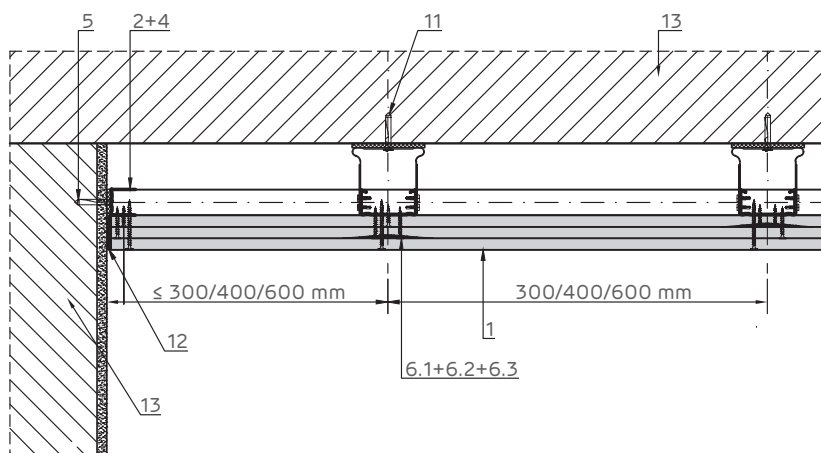


### NOTE (\*):

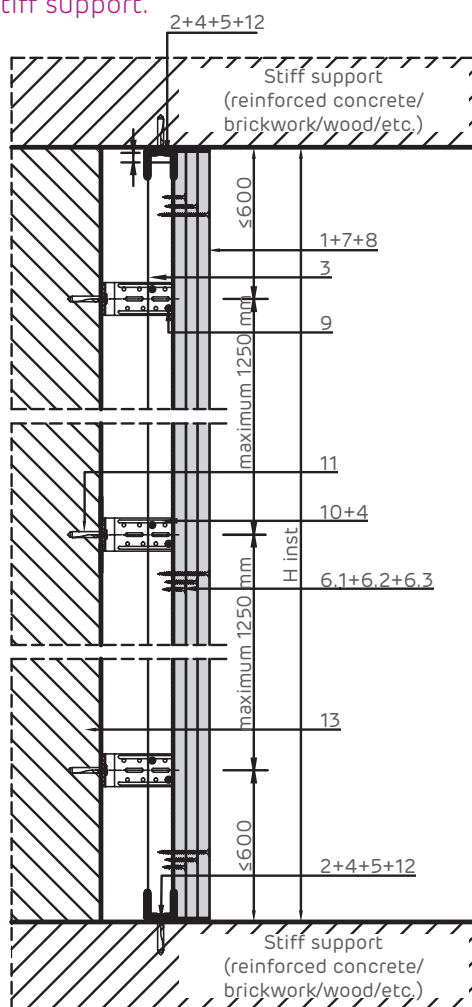
- NIDA Metal UD30 end profile may be fixed to NIDA System D wall via:
- Self-tapping screws + flat washer @ 500 mm, for fixing into wall CW profile
  - Molly metal dowel @ 500 mm, for fixing into wall plasterboard



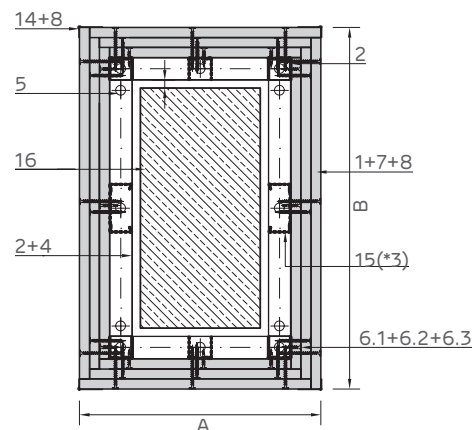
Rigid jointing with sturdy item Horizontal section.



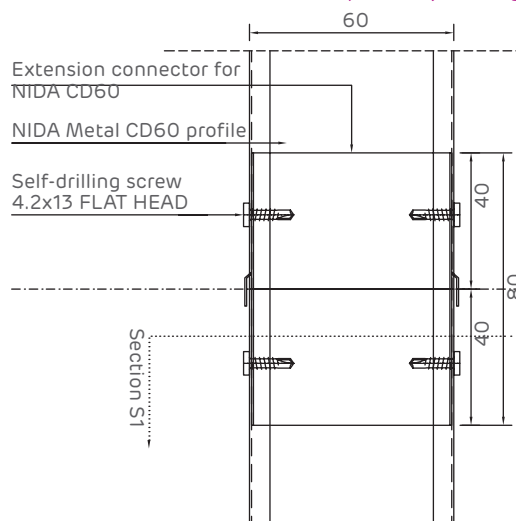
Attachment to stiff support. Vertical section



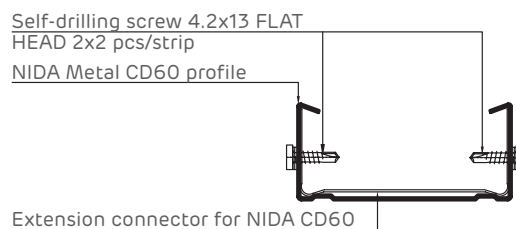
Lining of a wooden item Horizontal section.



Detail of NIDA Metal CD60 profile jointing.



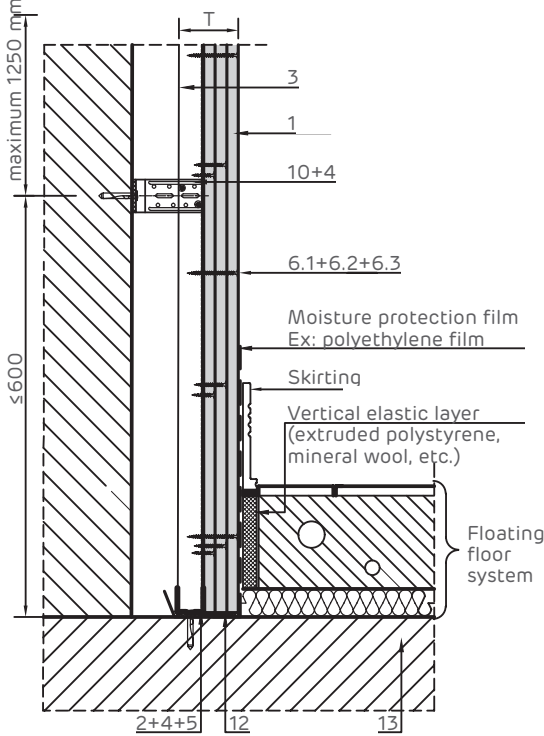
Section S1



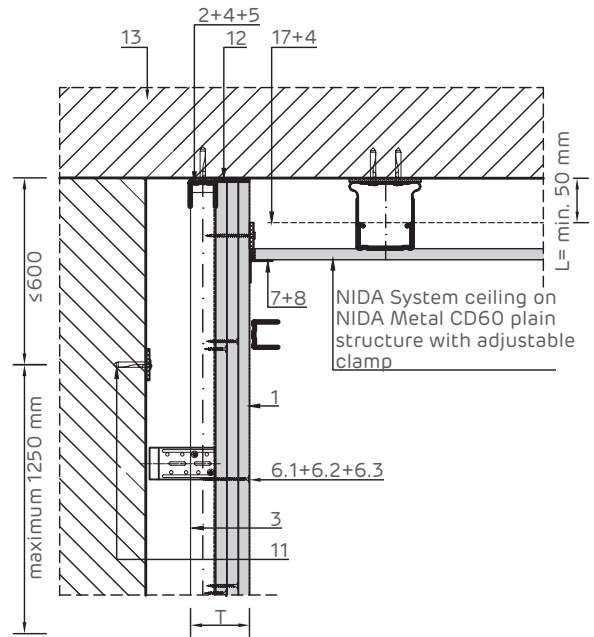
- 1 3x Siniat plasterboard
- 2 NIDA Metal UD30 runner profile
- 3 NIDA Metal CD60 profile
- 4 Single-sided sealing tape
- 5 Mechanical fixing - Max. pitch 500 mm (\*1)
- 6.1 Self-tapping screw 212xL1 @ 600
- 6.2 Self-tapping screw 212xL2 @ 600
- 6.3 Self-tapping screw 212xL3 @ 300
- 7 Jointing tape (\*2)
- 8 NIDA Professional jointing plaster
- 9 Self-drilling screw 4.2x13 FLAT HEAD 2x2 pcs/fastener

- 10 Adjustable clamp
- 11 Mechanical fixing (\*1) 1 pc/fastening
- 12 NIDA Boardfix
- 13 Stiff support (reinforced concrete/brickwork/wood/etc.)
- 14 Corner protection profile
- 15 NIDA Metal CD60 additional profile
- 16 Wooden item
- 17 NIDA Metal UD30 end profile
- 18 Self-tapping screw 212xL4 + flat washer @ 500 mm
- 19 NIDA Metal CW profile
- 20 MOLLY @ 500 mm metal dowel

Detailed crossing with floating floor system. Vertical section at the bottom of the lining. For superior acoustic performance.

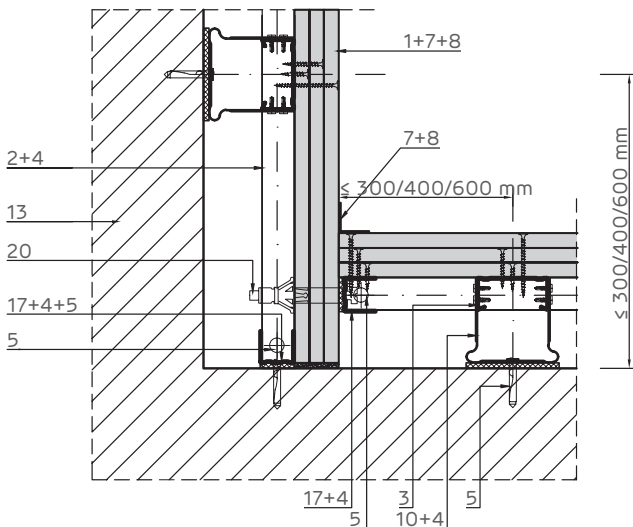


Detailed crossing with suspended ceiling on plain structure with adjustable clamp. Vertical section

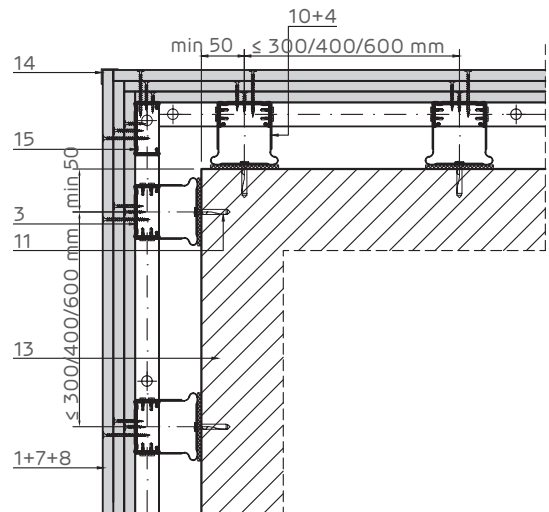


**NOTE:**  
NIDA Metal UD runner profile may not be fixed to the wall structure in the plasterboard sliding area.

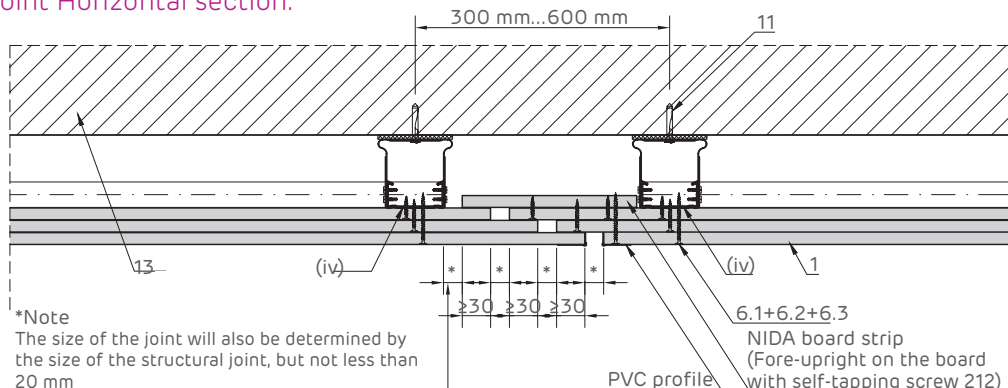
90° corner joint. Horizontal section.



270° corner joint. Horizontal section.

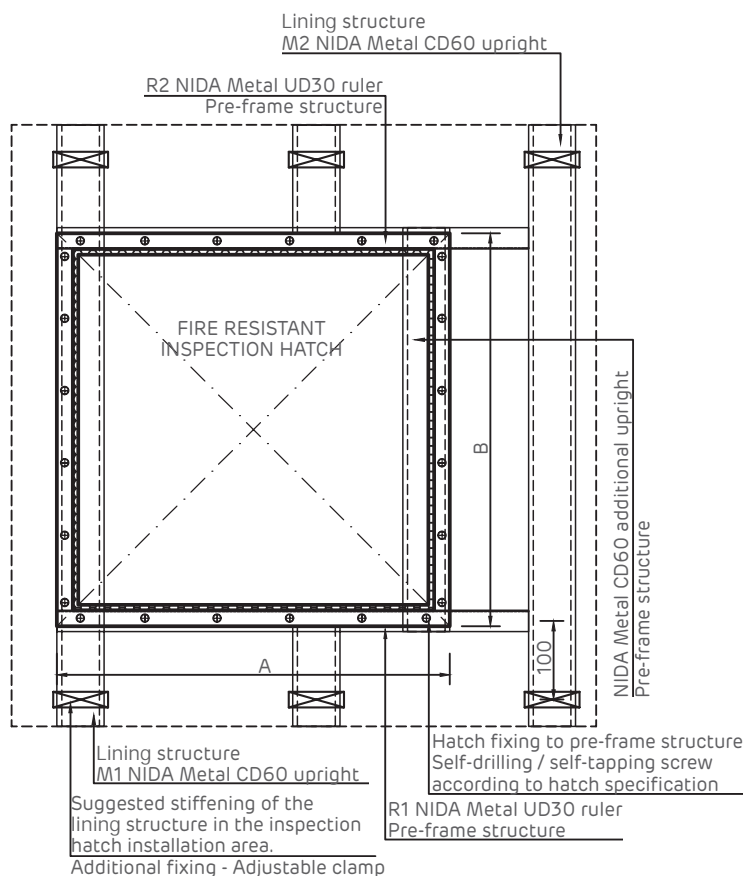


Expansion joint Horizontal section.

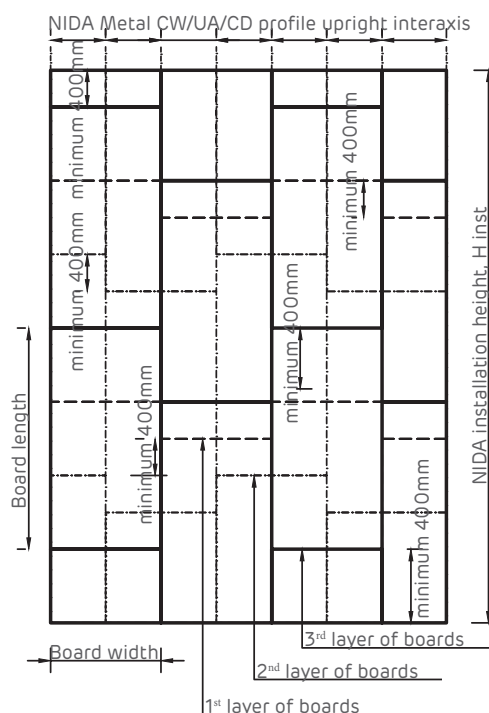


**NOTE:**  
(iv) For the last plasterboard layer, it is not acceptable to make a joint in front of the specified upright.  
(v) In the case of lining longer than 15 m, a vertical joint should be made every 10 m of the system; The joint should also be placed in front of structural joints.

Access hatch elevation.



Board staggering. System elevation. Vertical and horizontal joints should be staggered to avoid overlap.



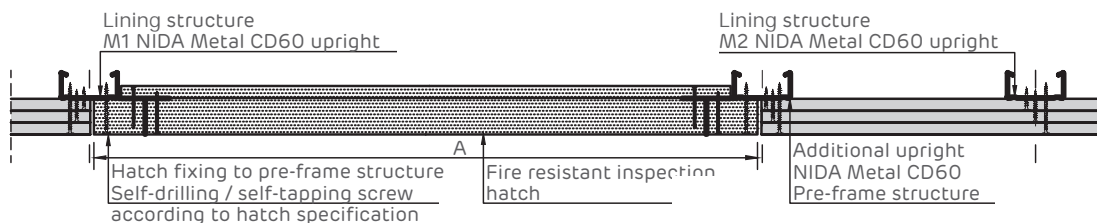
NOTE (\*):

The pre-frame structure (Rulers R1, R2 + Uprights M1, M2) used for fixing the hatch will be sized according to the following points:

- Hatch sizes (A, B)
- Hatch weight
- Lining height and configuration

If the NIDA System lining is intended to be fire resistant from both directions, then the installed hatch shall also be fire resistant from both directions.

NIDA System T - Triple-layer lining on NIDA Metal CD profiles with intermediate fixing. Horizontal section of the inspection hatch.



NOTE:

The detail presented is general in nature and focuses on the stiffening of the structure in the hatch installation area. It will be customised according to the model of hatch to be installed in the NIDA system

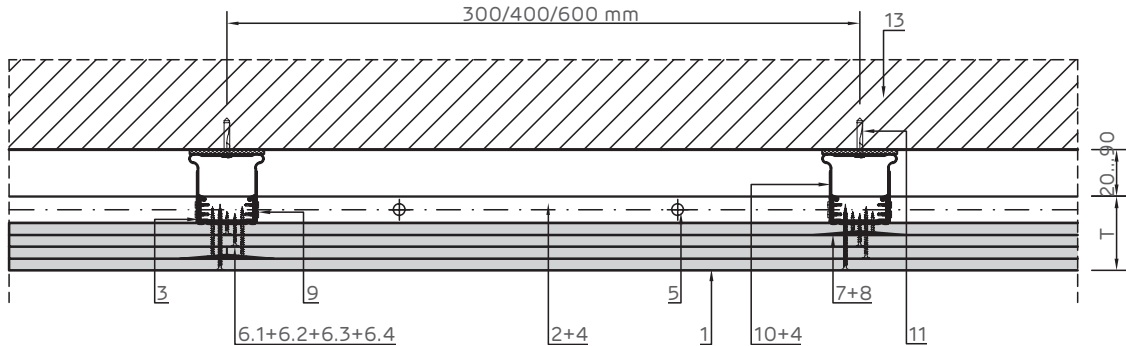
- |   |  |
|---|--|
| 1 3x Siniat plasterboard                                | 10 Adjustable clamp  |
| 2 NIDA Metal UD30 runner profile                        | 11 Mechanical fixing (*1) 1 pc/fastening                   |
| 3 NIDA Metal CD60 profile                               | 12 NIDA Boardfix   |
| 4 Single-sided sealing tape                             | 13 Stiff support (reinforced concrete/brickwork/wood/etc.) |
| 5 Mechanical fixing - Max. pitch 500 mm (*1)            | 14 Corner protection profile                               |
| 6.1 Self-tapping screw 212xL1 @ 600                     | 15 NIDA Metal CD60 additional profile                      |
| 6.2 Self-tapping screw 212xL2 @ 600                     | 16 Wooden item   |
| 6.3 Self-tapping screw 212xL3 @ 300                     | 17 NIDA Metal UD30 end profile                             |
| 7 Jointing tape (*2)                                    | 18 Self-tapping screw 212xL4 + flat washer @ 500 mm        |
| 8 NIDA Profesional jointing plaster                     | 19 NIDA Metal CW profile                                   |
| 9 Self-drilling screw 4.2x13 FLAT HEAD 2x2 pcs/fastener | 20 MOLLY @ 500 mm metal dowel                              |



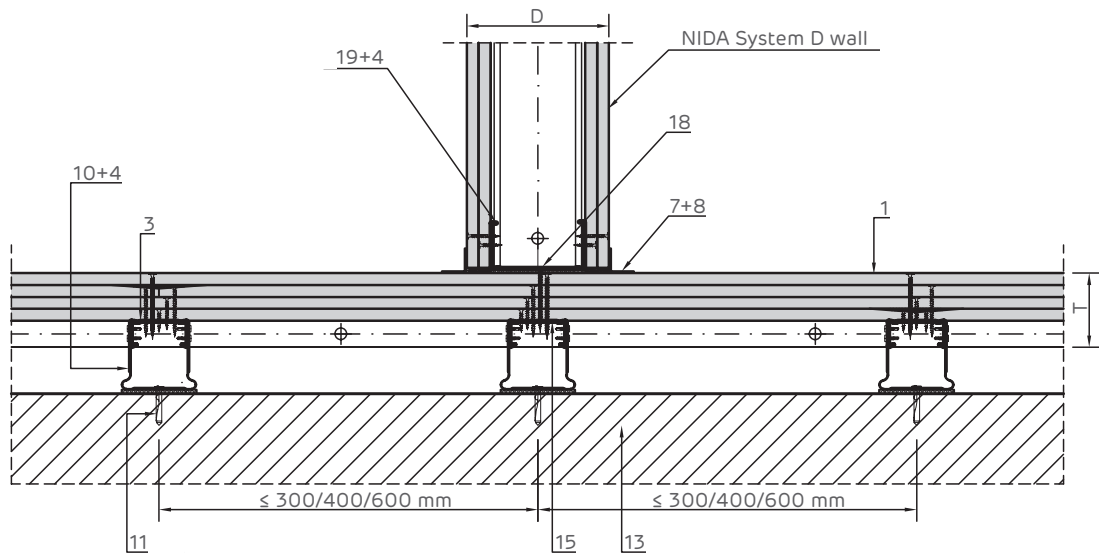
## NIDA System T.CD

NIDA System T.CD four-layer lining on NIDA Metal CD/UD structure, with intermediate fixing

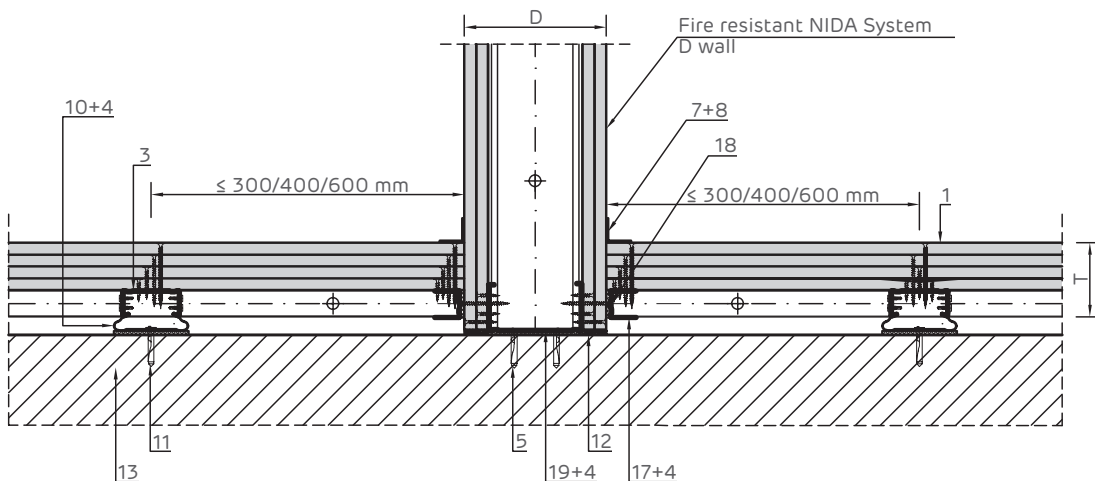
Attachment to stiff support. Horizontal section.



Crossing with D wall less resistant to fire  
Horizontal section.



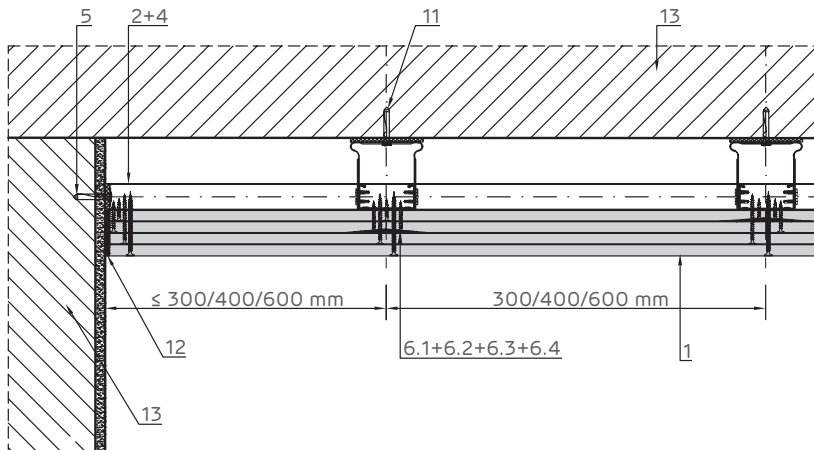
Crossing with D wall more resistant to fire  
Horizontal section.



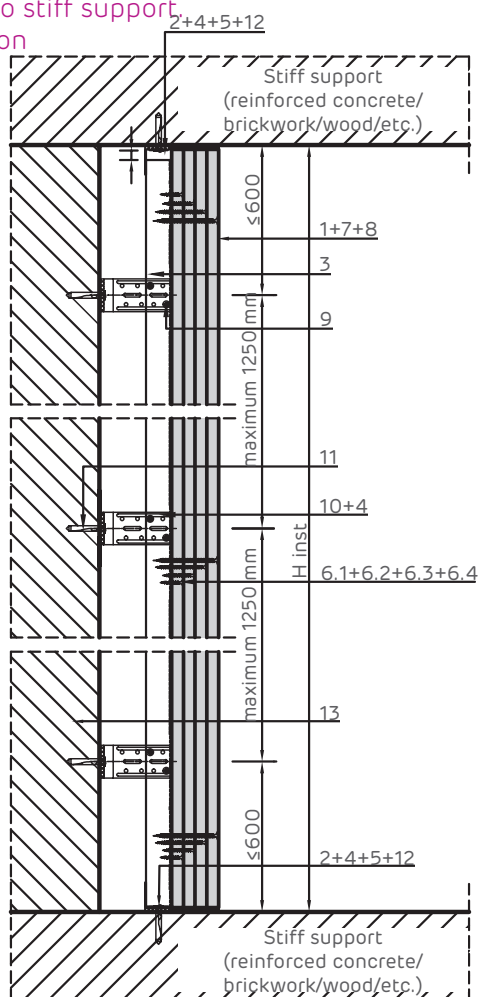
### NOTE (\*):

- NIDA Metal UD30 end profile may be fixed to NIDA System D wall via:
- Self-tapping screws + flat washer @ 500 mm, for fixing into wall CW profile
  - Molly metal dowel @ 500 mm, for fixing into wall plasterboard

## Rigid jointing with sturdy item Horizontal section.

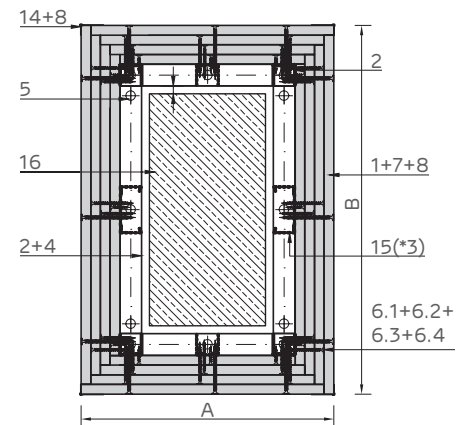


## Attachment to stiff support Vertical section



- 1 4x Siniat plasterboard
- 2 NIDA Metal UD30 runner profile
- 3 NIDA Metal CD60 profile
- 4 Single-sided sealing tape
- 5 Mechanical fixing - Max. pitch 500 mm (\*1)
- 6.1 Self-tapping screw 212xL1 @ 600
- 6.2 Self-tapping screw 212xL2 @ 600
- 6.3 Self-tapping screw 212xL3 @ 600
- 6.4 Self-tapping screw 212xL4 @ 300
- 7 Jointing tape (\*2)
- 8 NIDA Profesional jointing plaster
- 9 Self-drilling screw 4.2x13 FLAT HEAD 2x2 pcs/fastener

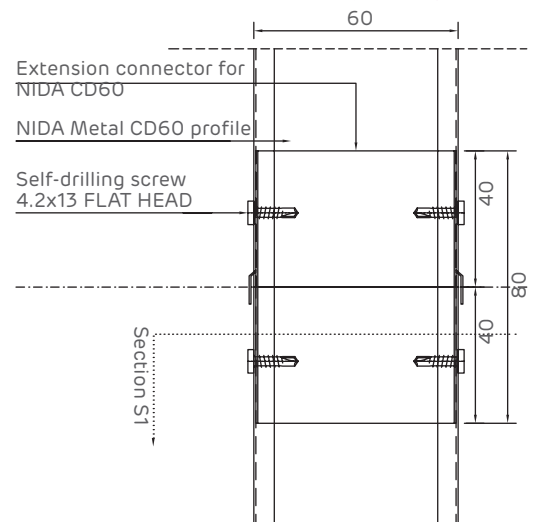
## Lining of a wooden item Horizontal section.



## NOTE:

A minimum of 3 fasteners should be fitted along NIDA Metal UD. (\*3) If the lining size (A/B) exceeds the maximum value of 600 mm, an additional upright (marked with a dotted line in the plan) should be placed.

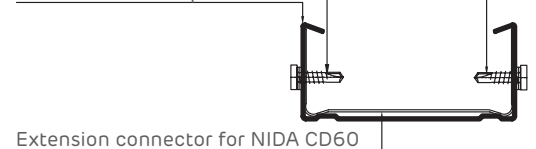
## Detail of NIDA Metal CD60 profile jointing



## Section S1

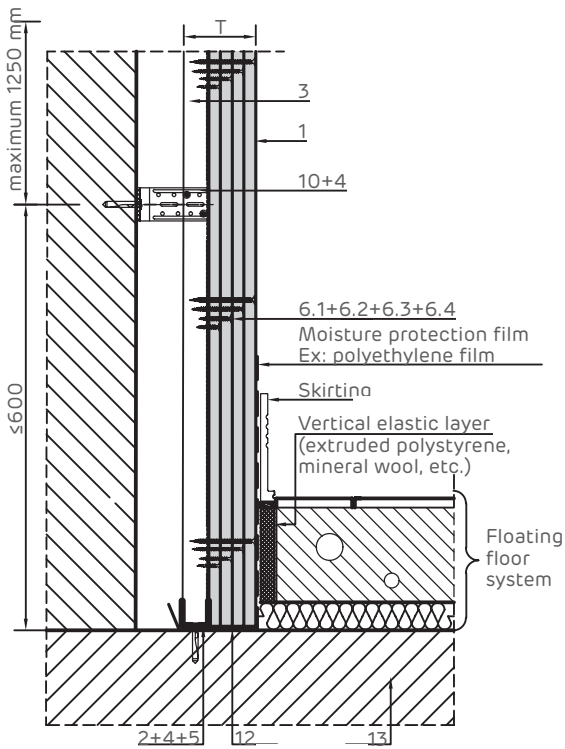
Self-drilling screw 4.2x13 FLAT HEAD 2x2 pcs/strip

NIDA Metal CD60 profile

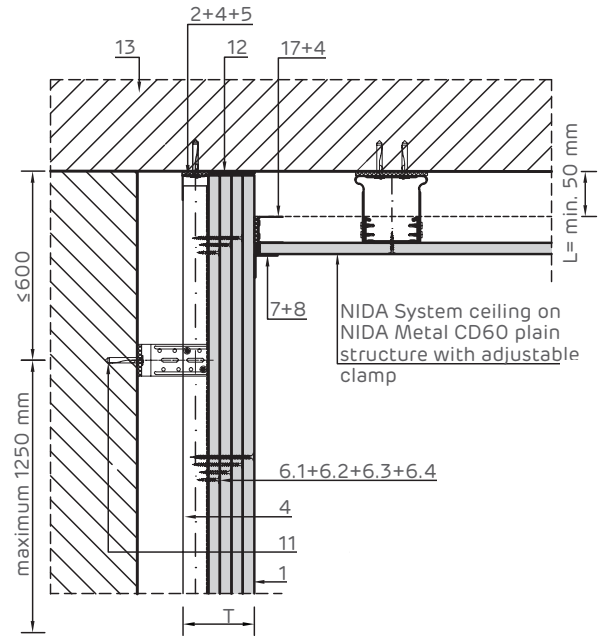


- 10 Adjustable clamp
- 11 Mechanical fixing (\*1) 1 pc/fastening
- 12 NIDA Boardfix
- 13 Stiff support (reinforced concrete/brickwork/wood/etc.)
- 14 Corner protection profile
- 15 NIDA Metal CD60 additional profile
- 16 Wooden item
- 17 NIDA Metal UD30 end profile
- 18 Self-tapping screw 212xL5 + flat washer @ 500 mm
- 19 NIDA Metal CW profile
- 20 MOLLY @ 500 mm metal dowel

Detailed crossing with floating floor system. Vertical section at the bottom of the lining. For superior acoustic performance.

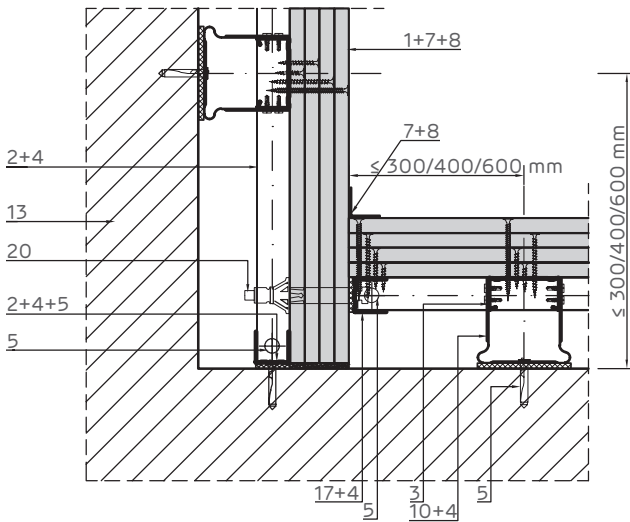


Detailed crossing with suspended ceiling on plain structure with adjustable clamp. Vertical section

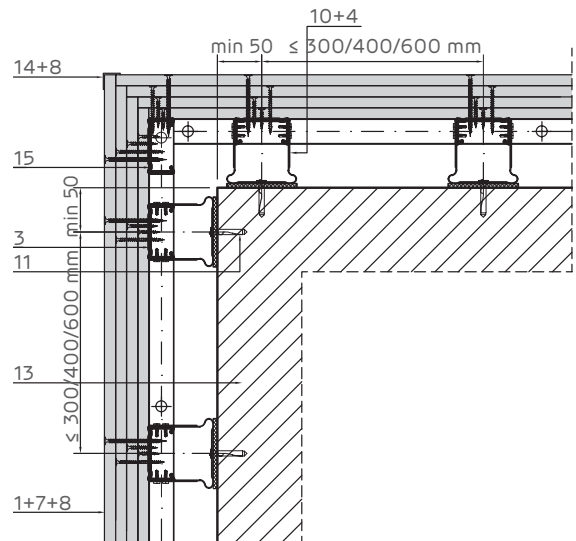


**NOTE:**  
NIDA Metal UD runner profile may not be fixed to the wall structure in the plasterboard sliding area.

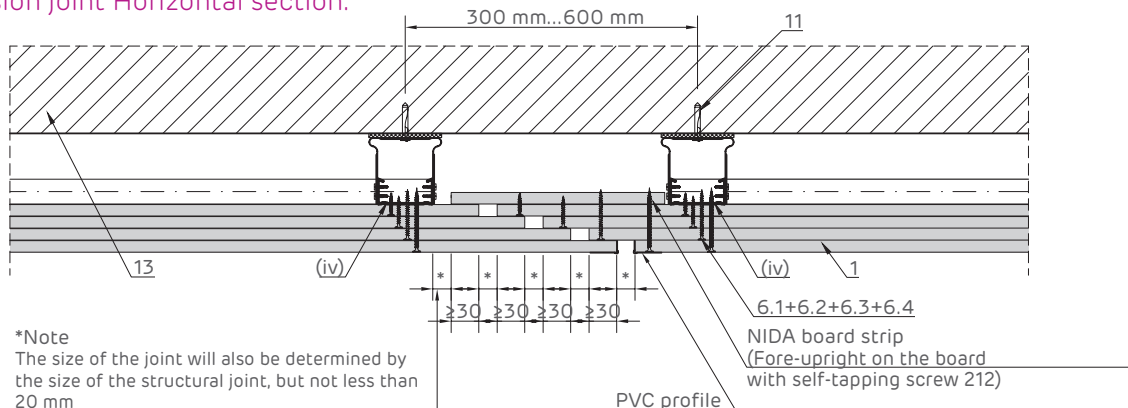
90° corner joint. Horizontal section.



270° corner joint. Horizontal section.



Expansion joint Horizontal section.

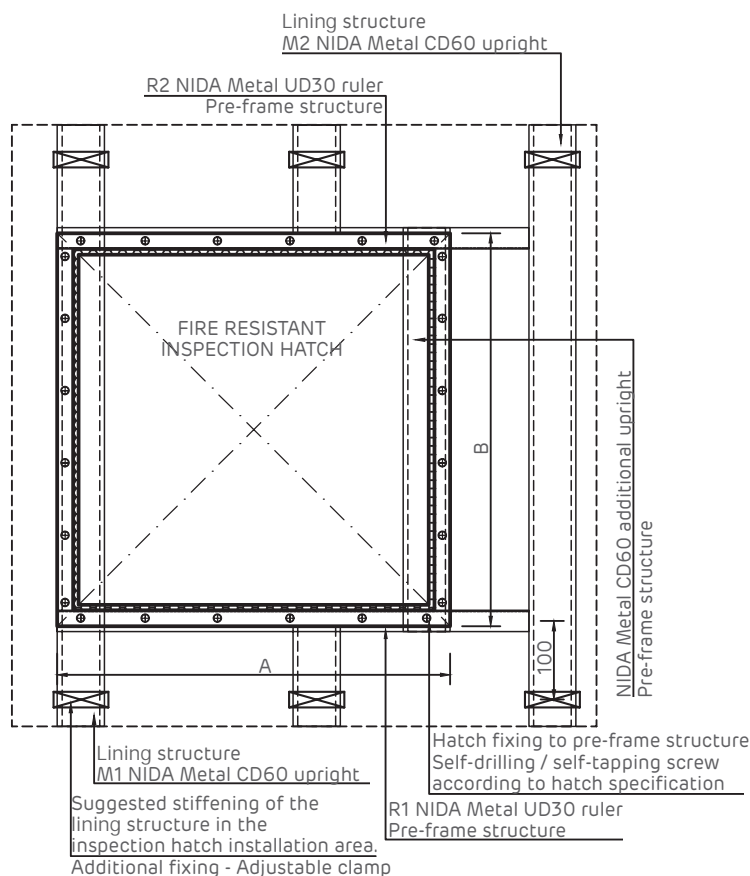


\*Note  
The size of the joint will also be determined by the size of the structural joint, but not less than 20 mm

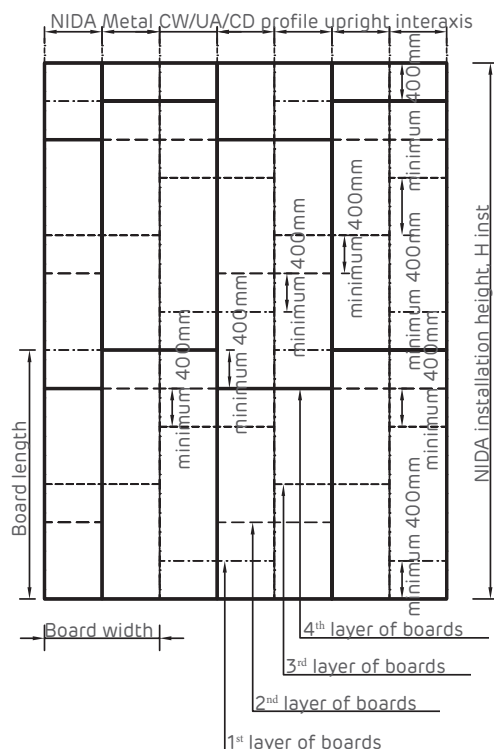
**NOTE:**

- (iv) For the last plasterboard layer, it is not acceptable to make a joint in front of the specified upright.
- (v) In the case of lining longer than 15 m, a vertical joint should be made every 10 m of the system; The joint should also be placed in front of structural joints.

Access hatch elevation.



Board staggering. System elevation. Vertical and horizontal joints should be staggered to avoid overlap.



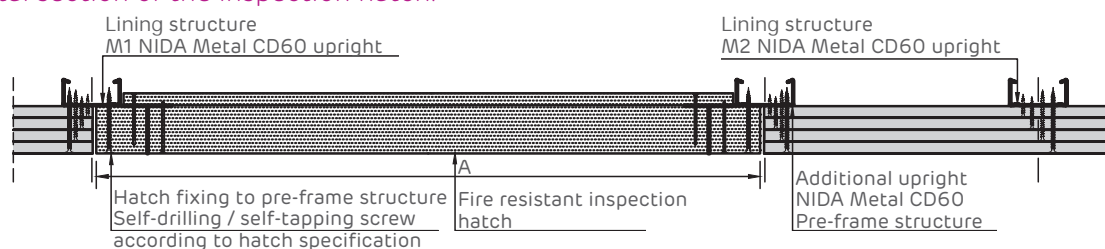
NOTE (\*):

The pre-frame structure (Rulers R1, R2 + Uprights M1, M2) used for fixing the hatch will be sized according to the following points:

- Hatch sizes (A, B)
- Hatch weight
- Lining height and configuration

If the NIDA System lining is intended to be fire resistant from both directions, then the installed hatch shall also be fire resistant from both directions.

NIDA System T - Four-layer lining on NIDA Metal CD profiles with intermediate fixing. Horizontal section of the inspection hatch.



NOTE:

The detail presented is general in nature and focuses on the stiffening of the structure in the hatch installation area. It will be customised according to the model of hatch to be installed in the NIDA system

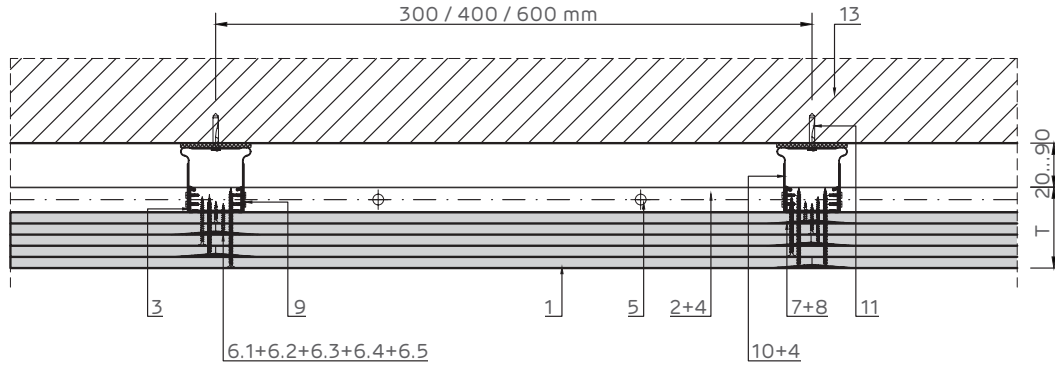
- |   |  |
|---|--|
| 1 4x Siniat plasterboard                                | 10 Adjustable clamp  |
| 2 NIDA Metal UD30 runner profile                        | 11 Mechanical fixing (*1) 1 pc/fastening                   |
| 3 NIDA Metal CD60 profile                               | 12 NIDA Boardfix   |
| 4 Single-sided sealing tape                             | 13 Stiff support (reinforced concrete/brickwork/wood/etc.) |
| 5 Mechanical fixing - Max. pitch 500 mm (*1)            | 14 Corner protection profile                               |
| 6.1 Self-tapping screw 212xL1 @ 600                     | 15 NIDA Metal CD60 additional profile                      |
| 6.2 Self-tapping screw 212xL2 @ 600                     | 16 Wooden item   |
| 6.3 Self-tapping screw 212xL3 @ 600                     | 17 NIDA Metal UD30 end profile                             |
| 6.4 Self-tapping screw 212xL4 @ 300                     | 18 Self-tapping screw 212xL5 + flat washer @ 500 mm        |
| 7 Jointing tape (*2)                                    | 19 NIDA Metal CW profile                                   |
| 8 NIDA Profesional jointing plaster                     | 20 MOLLY @ 500 mm metal dowel                              |
| 9 Self-drilling screw 4.2x13 FLAT HEAD 2x2 pcs/fastener |  |



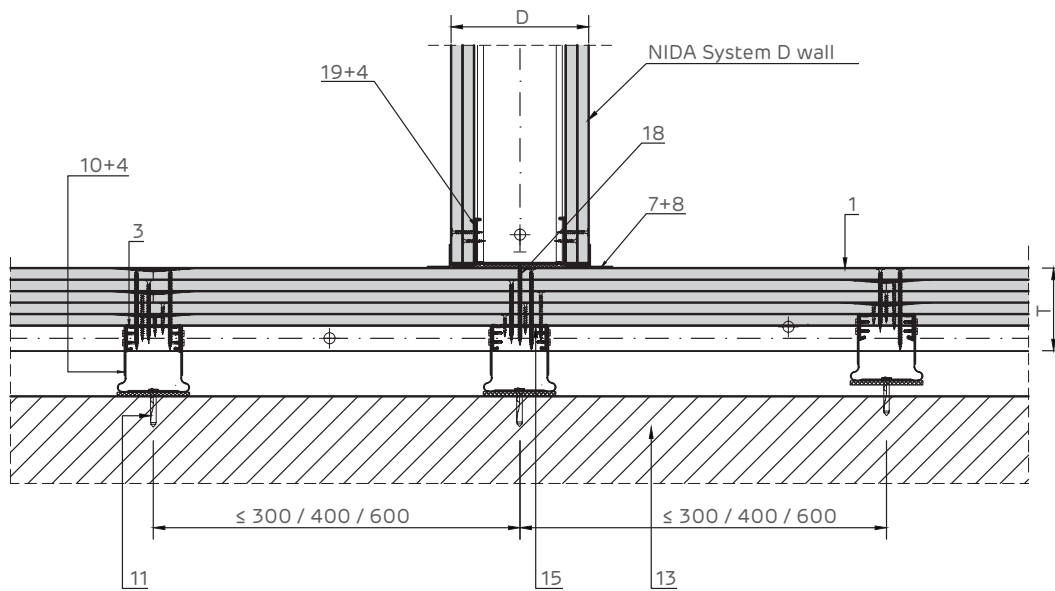
## NIDA System T.CD

NIDA System T.CD five-layer lining  
on NIDA Metal CD/UD structure, with intermediate fixing

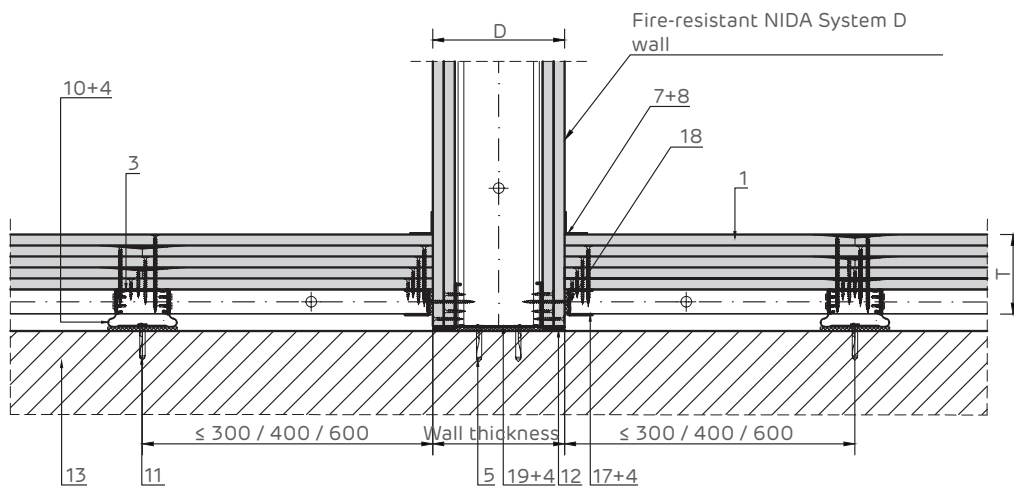
Attachment to stiff support. Horizontal section.



Crossing with D wall less resistant to fire  
Horizontal section.



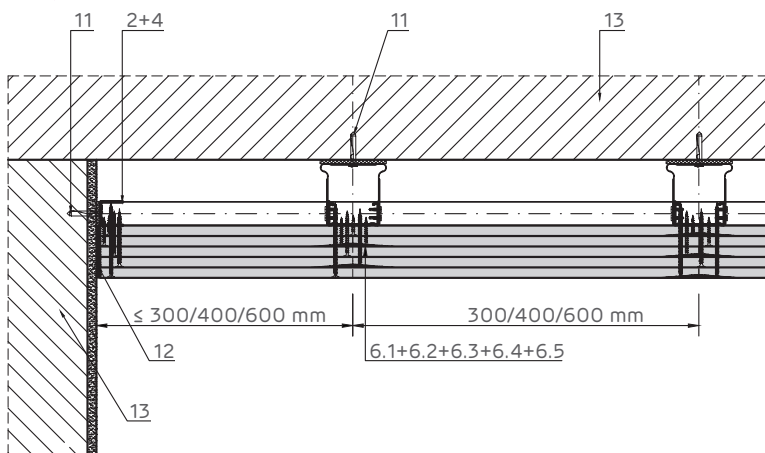
Crossing with D wall more resistant to fire  
Horizontal section.



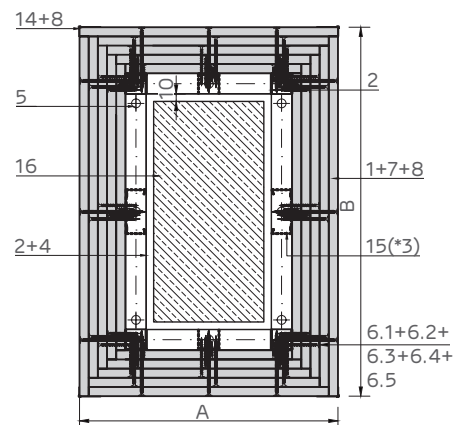
### NOTE (\*):

- NIDA Metal UD30 end profile may be fixed to NIDA System D wall via:
- Self-tapping screws + flat washer @ 500 mm, for fixing into wall CW profile
  - Molly metal dowel @ 500 mm, for fixing into wall plasterboard

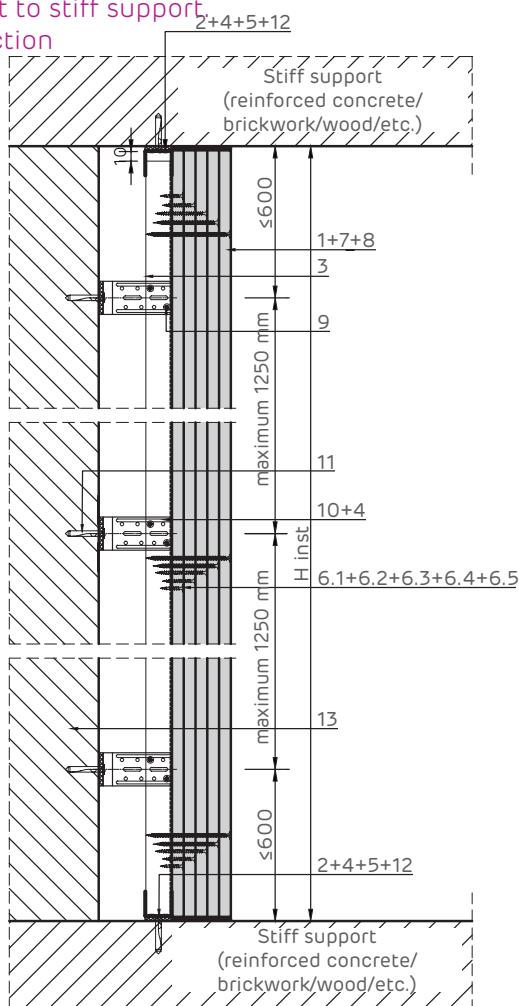
Rigid jointing with sturdy item Horizontal section.



Lining of a wooden item Horizontal section.



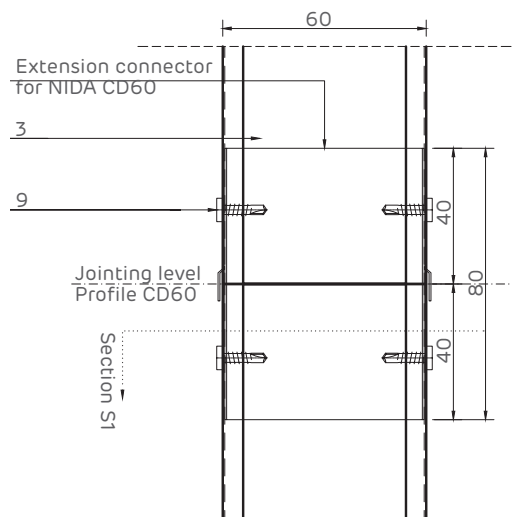
Attachment to stiff support Vertical section



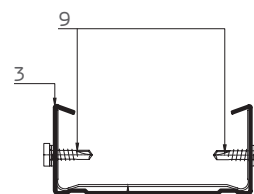
NOTE:

A minimum of 3 fasteners should be fitted along NIDA Metal UD. (\*3) If the lining size (A/B) exceeds the maximum value of 600 mm, an additional upright (marked with a dotted line in the plan) should be placed.

Detail of NIDA Metal CD60 profile jointing.



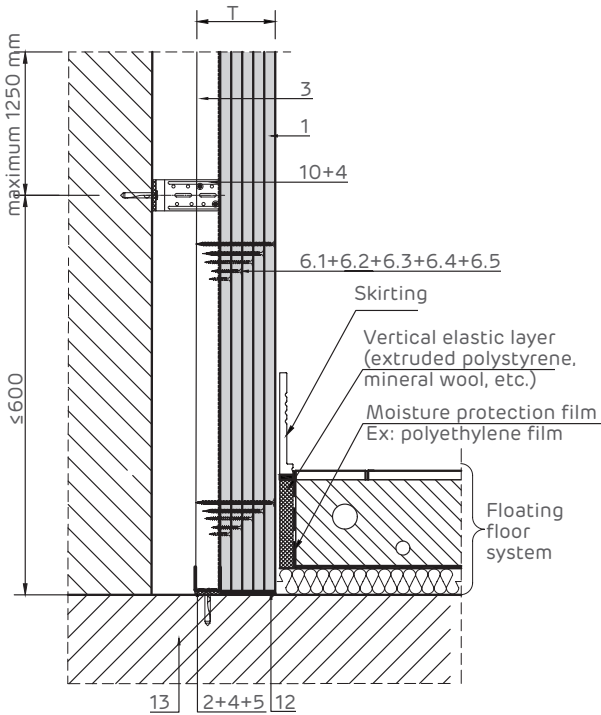
Section S1



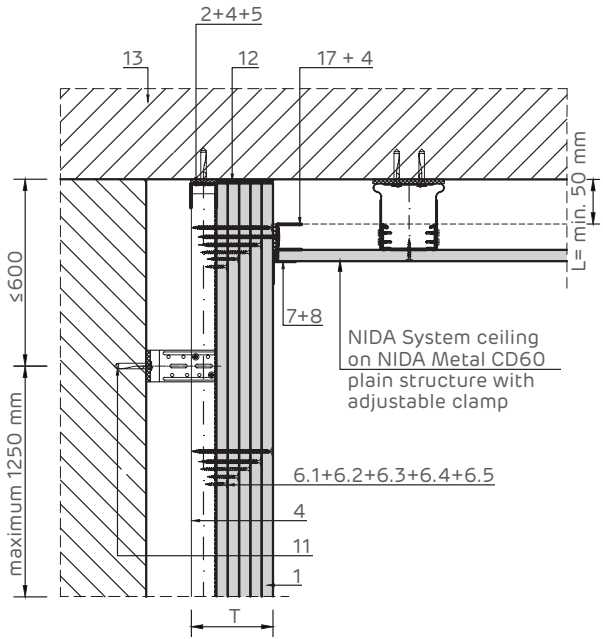
Extension connector for NIDA CD60

- 1 5 x Siniat plasterboard
- 2 NIDA Metal UD30 runner profile
- 3 NIDA Metal CD60 stud
- 4 Single-sided sealing tape
- 5 Mechanical fixing - Max. pitch 500 mm (\*1)
- 6.1 Self-tapping screw 212xL1 @ 600
- 6.2 Self-tapping screw 212xL2 @ 600
- 6.3 Self-tapping screw 212xL3 @ 600
- 6.4 Self-tapping screw 212xL4 @ 600
- 6.5 Self-tapping screw 212xL4 @ 300
- 7 Jointing tape (\*2)
- 8 NIDA Profesional jointing plaster
- 9 Self-drilling screw 4.2x13 FLAT HEAD 2x2 pcs/fastener
- 10 Adjustable clamp
- 11 Mechanical fixing (\*1) 1 pc/fastening
- 12 NIDA Boardfix
- 13 Stiff support (reinforced concrete/brickwork/wood/etc.)
- 14 Corner protection profile
- 15 NIDA Metal CD60 additional profile
- 16 Wooden item
- 17 NIDA Metal UD30 end profile
- 18 Self-tapping screw 212xL5 + flat washer @ 500 mm
- 19 NIDA Metal CW profile
- 20 MOLLY @ 500 mm metal dowel

Detailed crossing with floating floor system. Vertical section at the bottom of the lining. For superior acoustic performance.

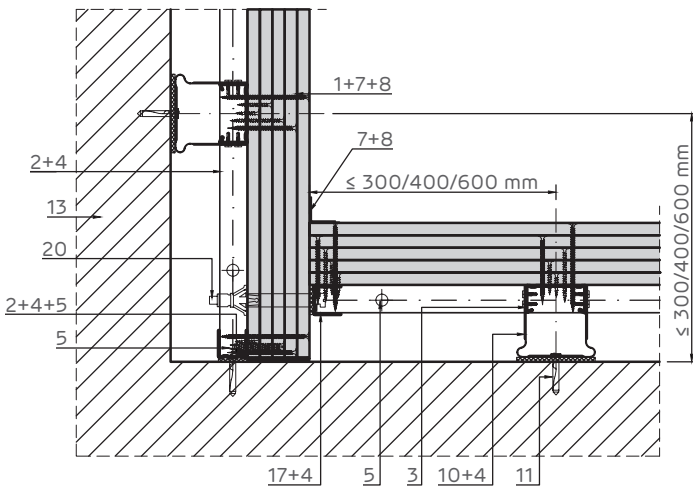


Detailed crossing with suspended ceiling on plain structure with adjustable clamp. Vertical section

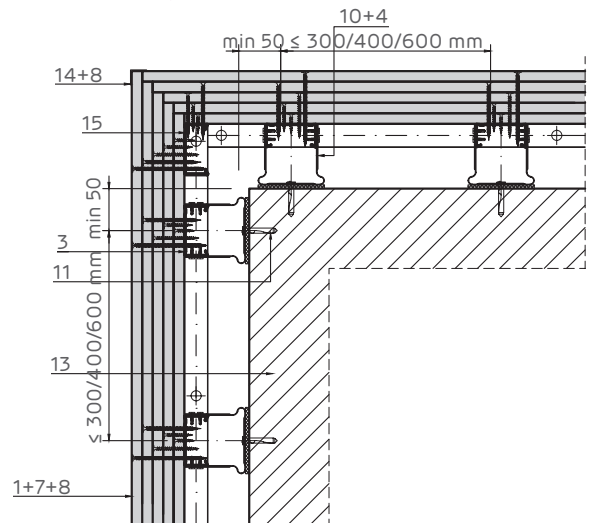


**NOTE:**  
NIDA Metal UD runner profile may not be fixed to the wall structure in the plasterboard sliding area.

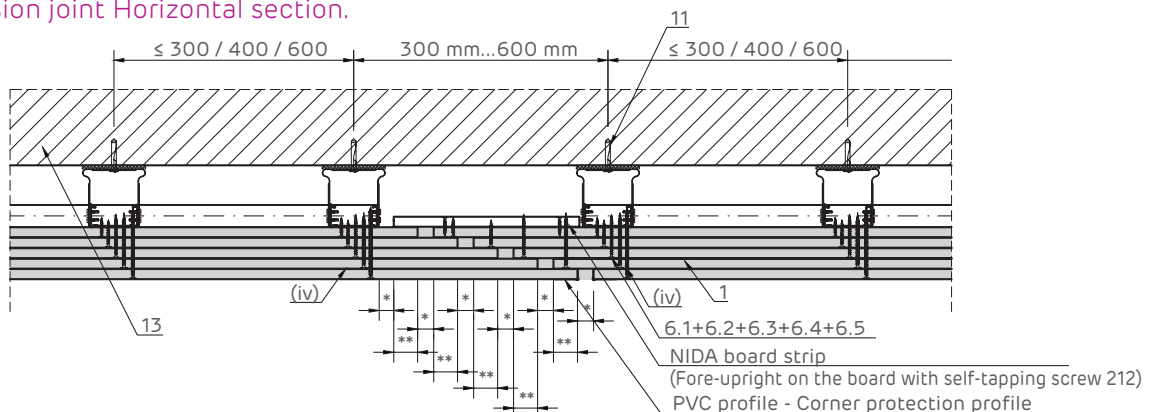
90° corner joint. Horizontal section.



270° corner joint. Horizontal section.



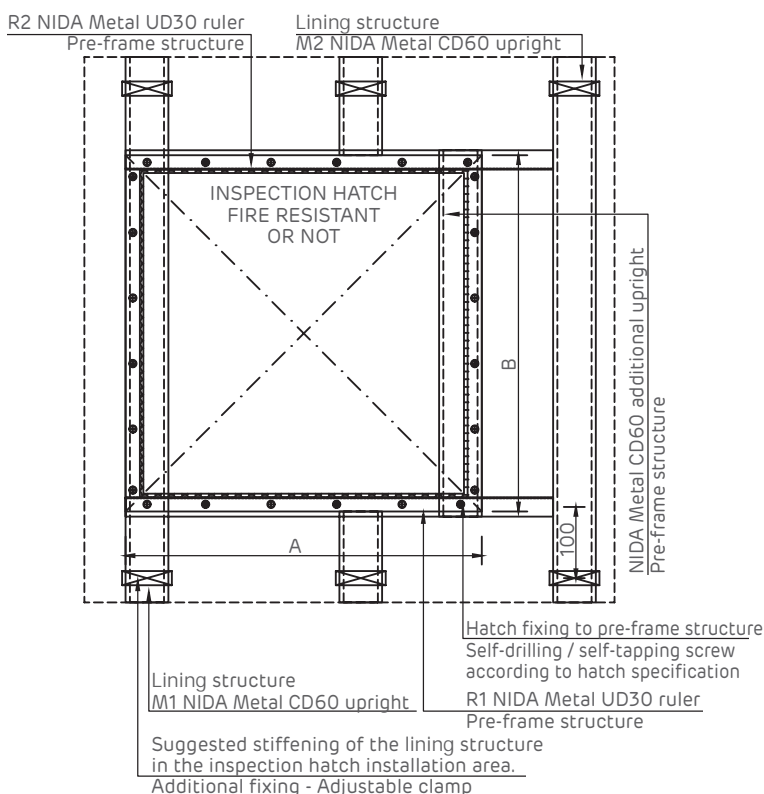
Expansion joint Horizontal section.



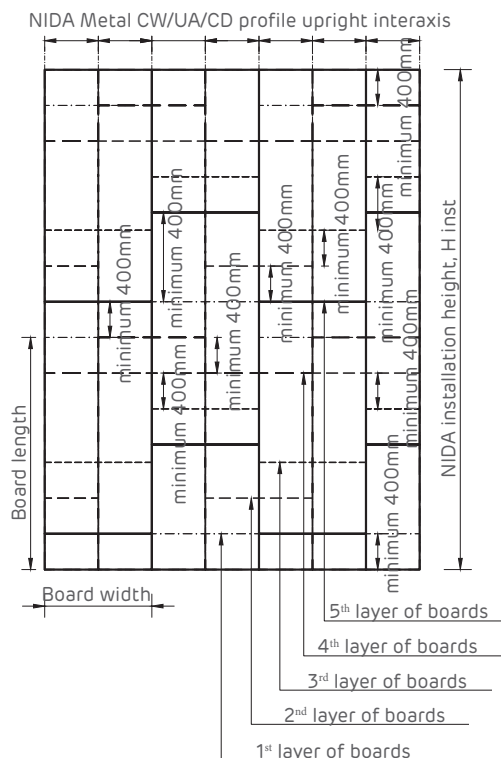
**NOTE:**  
(iv) For the last plasterboard layer, it is not acceptable to make a joint in front of the specified upright.  
(v) In the case of lining longer than 15 m, a vertical joint should be made every 10 m of the system  
The joint should also be placed in front of structural joints.

\* The size of the joint will also be determined by the size of the structural joint, but not less than 20 mm  
\*\* The overlap of boards should have a minimum size of (\* + 10 mm)

Access hatch elevation.



Board staggering. System elevation. Vertical and horizontal joints should be staggered to avoid overlap.



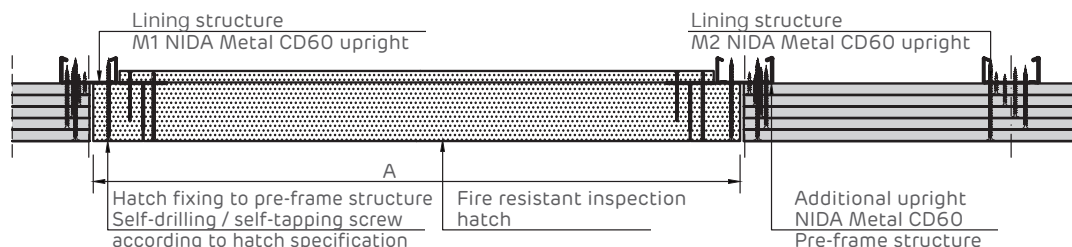
NOTE (\*):

The pre-frame structure (Rulers R1, R2 + Uprights M1, M2) used for fixing the hatch will be sized according to the following points:

- Hatch sizes (A, B)
- Hatch weight
- Lining height and configuration

If the NIDA System lining is intended to be fire resistant from both directions, then the installed hatch shall also be fire resistant from both directions.

NIDA System T - Five-layer lining on NIDA Metal CD profiles with intermediate fixing. Horizontal section of the inspection hatch.



NOTE:

The detail presented is general in nature and focuses on the stiffening of the structure in the hatch installation area. It will be customised according to the model of hatch to be installed in the NIDA system

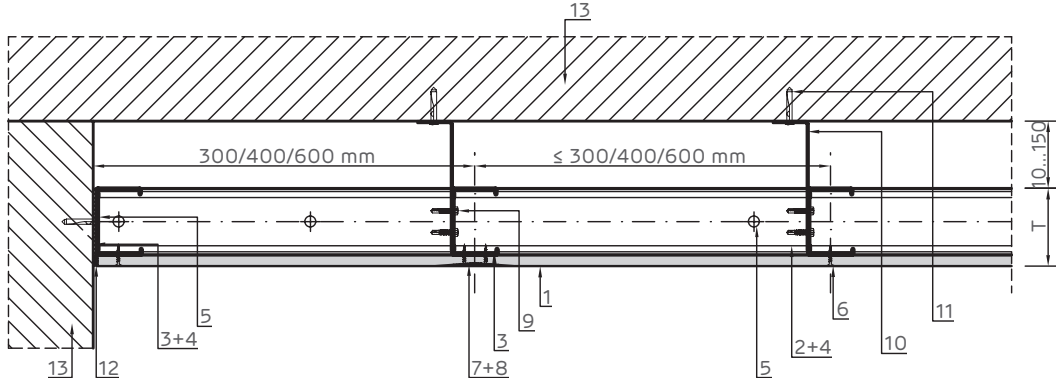
- |  |   |
|--|---|
| <ul style="list-style-type: none"> <li>① 5x Siniat plasterboard</li> <li>② NIDA Metal UD30 runner profile</li> <li>③ NIDA Metal CD60 profile</li> <li>④ Single-sided sealing tape</li> <li>⑤ Mechanical fixing - Max. pitch 500 mm (*1)</li> <li>⑥.1 Self-tapping screw 212xL1 @ 600</li> <li>⑥.2 Self-tapping screw 212xL2 @ 600</li> <li>⑥.3 Self-tapping screw 212xL3 @ 600</li> <li>⑥.4 Self-tapping screw 212xL4 @ 600</li> <li>⑥.5 Self-tapping screw 212xL5 @ 300</li> <li>⑦ Jointing tape (*2)</li> <li>⑧ NIDA Professional jointing plaster</li> <li>⑨ Self-drilling screw 4.2x13 FLAT HEAD 2x2 pcs/fastener</li> </ul> | <ul style="list-style-type: none"> <li>⑩ Adjustable clamp</li> <li>⑪ Mechanical fixing (*1) 1 pc/fastening</li> <li>⑫ NIDA Boardfix</li> <li>⑬ Stiff support (reinforced concrete/brickwork/wood/etc.)</li> <li>⑭ Corner protection profile</li> <li>⑮ NIDA Metal CD60 additional profile</li> <li>⑯ Wooden item</li> <li>⑰ NIDA Metal UD30 end profile</li> <li>⑱ Self-tapping screw 212xL5 + flat washer @ 500 mm</li> <li>⑲ NIDA Metal CW profile</li> <li>⑳ MOLLY @ 500 mm metal dowel</li> </ul> |
|--|---|



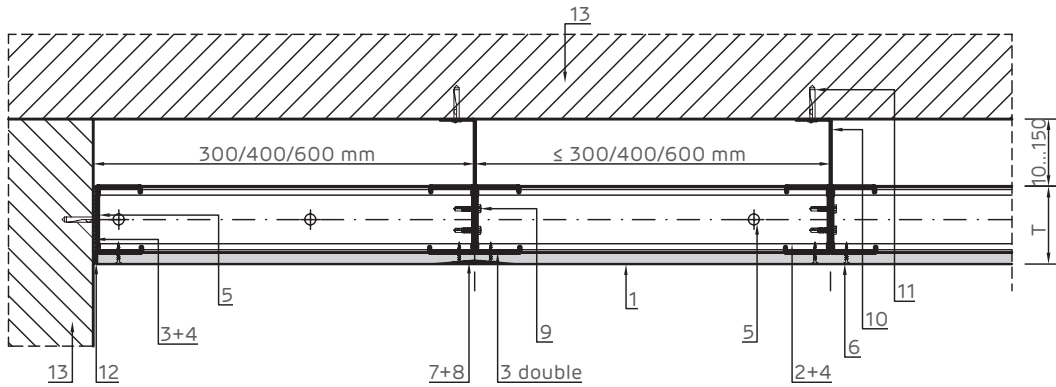
# NIDA System T.CW.F

NIDA System T.CW.F single-layer lining  
on NIDA Metal CW/UW structure, with intermediate fixing

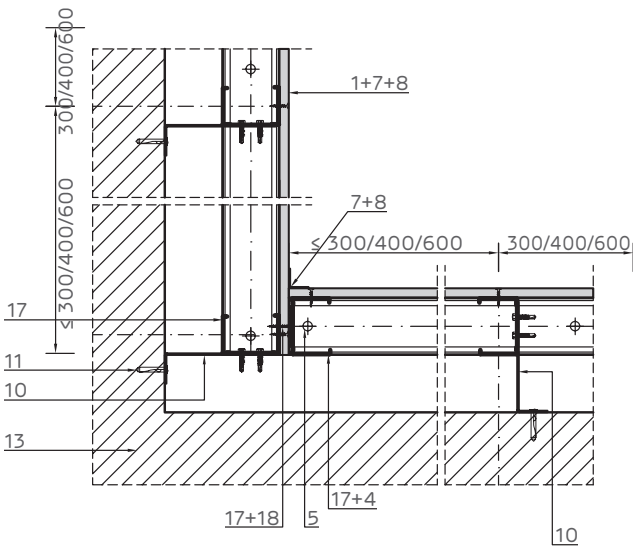
Attachment to stiff support. Horizontal section.



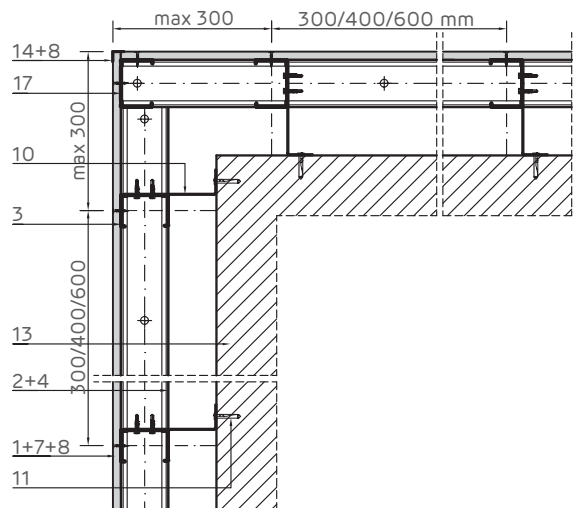
Attachment to stiff support.  
Horizontal section - double upright



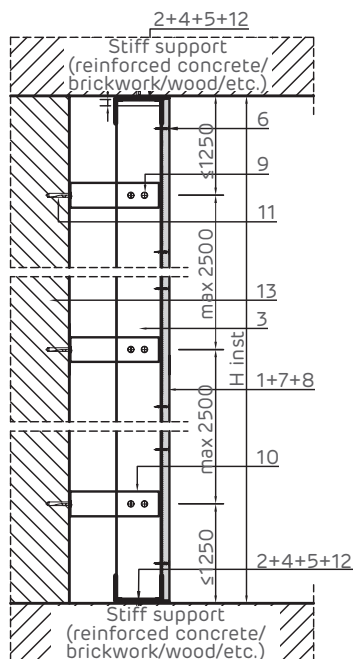
90° corner joint. Horizontal section.



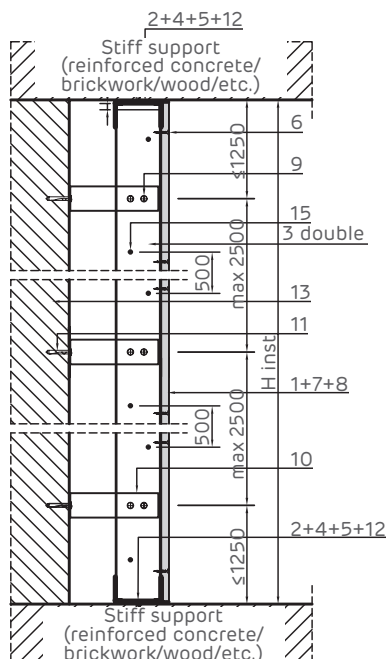
270° corner joint. Horizontal section.



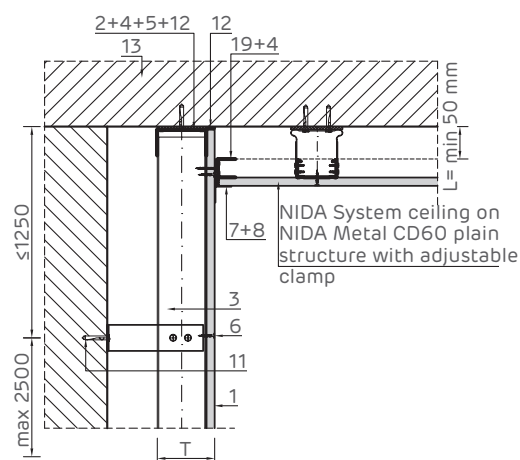
Attachment to stiff support.  
Vertical section



Attachment to stiff support.  
Vertical section - double upright

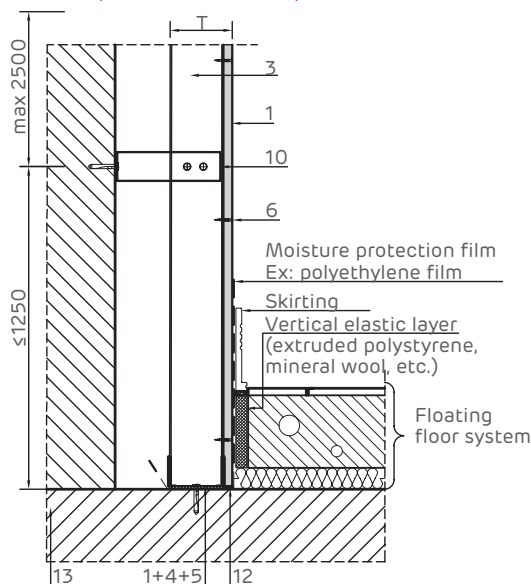


Detailed crossing with suspended ceiling  
on plain structure with adjustable clamp.  
Vertical section



**NOTE:**  
NIDA Metal UD runner profile may not be fixed to the wall structure in the plasterboard sliding area.

Detailed crossing with floating floor system.  
Vertical section at the bottom of the lining.  
For superior acoustic performance.

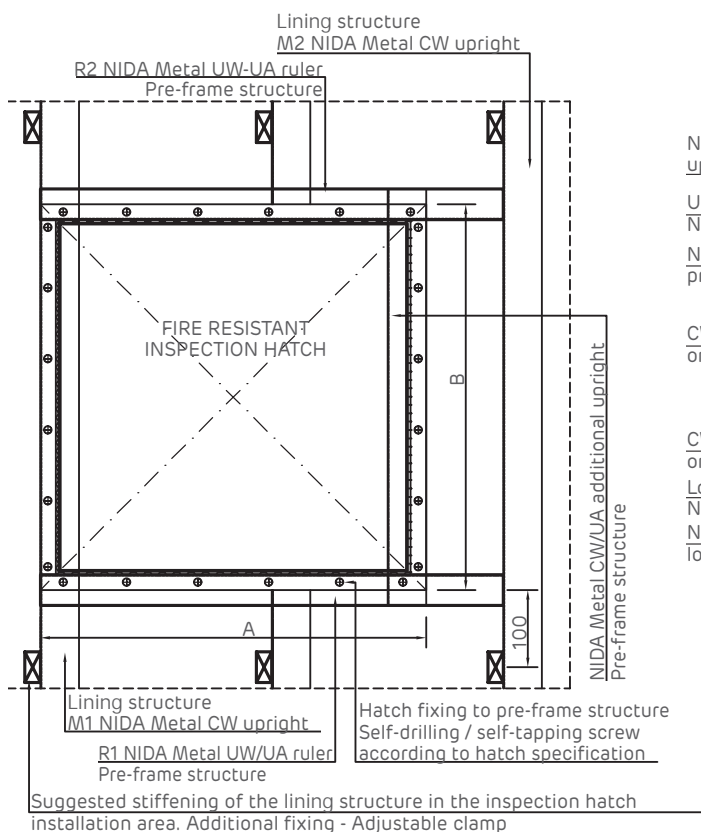


- 1 1x Siniat plasterboard
- 2 NIDA Metal UW runner profile
- 3 NIDA Metal CW stud
- 4 Single-sided sealing tape
- 5 Mechanical fixing - Max. pitch 500 mm (\*1)
- 6 Self-tapping screw 212xL1 @ 300
- 7 Jointing tape (\*2)
- 8 NIDA Profesional jointing plaster
- 9 Self-drilling screw 5.5x25- 2 pcs/fastening
- 10 Corner iron 200x40x40x2 mm

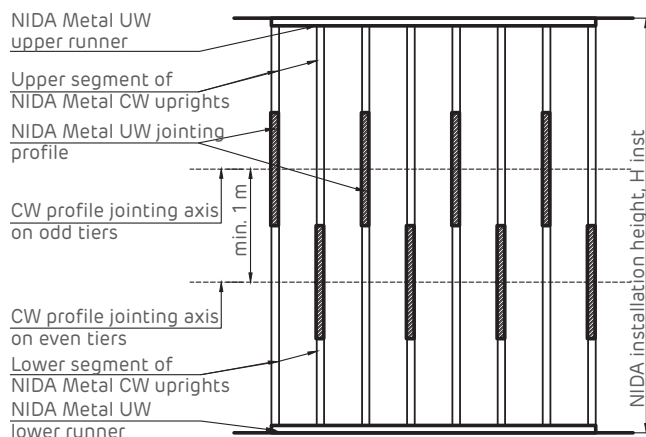
- 11 Mechanical fixing (\*1) 1 pc/fastening
- 12 NIDA Boardfix
- 13 Stiff support (reinforced concrete/brickwork/wood/etc.)
- 14 Corner protection profile
- 15 Self-drilling screw 4.2x13 FLAT HEAD in zigzag@500mm
- 16 MOLLY @ 500 mm metal dowel
- 17 NIDA Metal CW end profile
- 18 Self-tapping screw 212xL2 + flat washer @500mm
- 19 NIDA Metal UD30 end profile



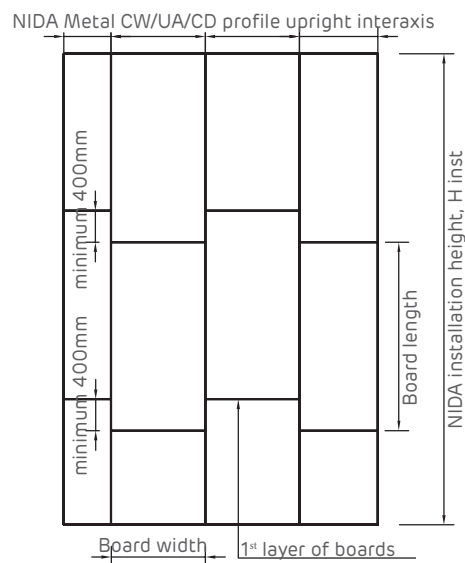
Access hatch elevation.



NIDA Metal CW profile joint staggering. System elevation.



Board staggering. System elevation. Vertical and horizontal joints should be staggered to avoid overlap.



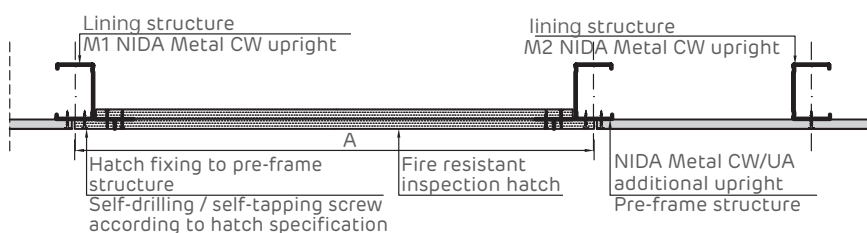
NOTE (\*):

The pre-frame structure (Rulers R1, R2 + Uprights M1, M2) used for fixing the hatch will be sized according to the following points:

- Hatch sizes (A, B)
- Hatch weight
- Lining height and configuration

M1, M2 uprights design options: CW, CW - H, UA, UA - H, UA strong box type  
 R1, R2 rulers design options: UW, UW strong box type, UA strong box type  
 If the NIDA System lining is intended to be fire resistant from both directions, then the installed hatch shall also be fire resistant from both directions.

Horizontal section of the inspection hatch.



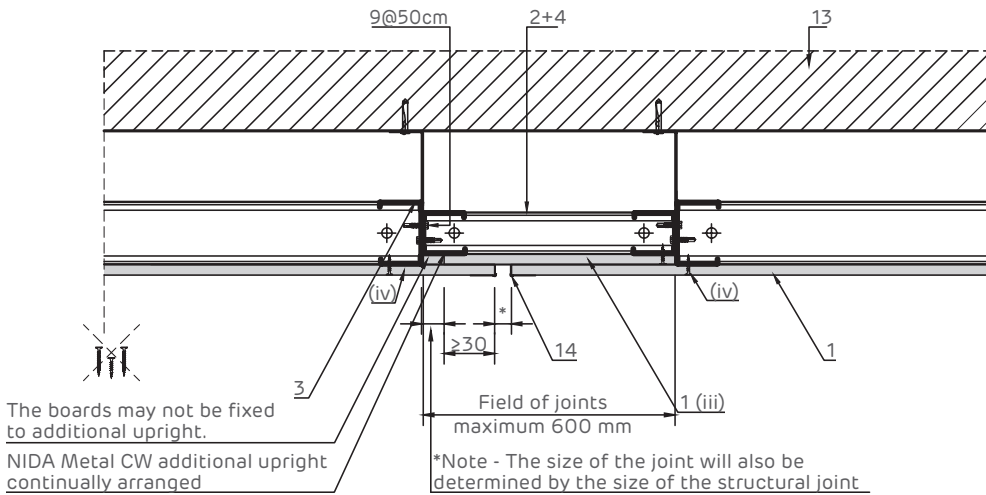
NOTE:

The detail presented is general in nature and focuses on the stiffening of the structure in the hatch installation area. It will be customised according to the model of hatch to be installed in the NIDA system

- |  |   |
|--|---|
| <ul style="list-style-type: none"> <li>1 1x Siniat plasterboard</li> <li>2 NIDA Metal UW runner profile</li> <li>3 NIDA Metal CW stud</li> <li>4 Single-sided sealing tape</li> <li>5 Mechanical fixing - Max. pitch 500 mm (*1)</li> <li>6 Self-tapping screw 212xL1 @ 300</li> <li>7 Jointing tape (*2)</li> <li>8 NIDA Profesional jointing plaster</li> <li>9 Self-drilling screw 5.5x25 2 pcs/fastening</li> <li>10 Corner iron 200x40x40x2 mm</li> </ul> | <ul style="list-style-type: none"> <li>11 Mechanical fixing (*1) 1 pc/fastening</li> <li>12 NIDA Boardfix</li> <li>13 Stiff support (reinforced concrete/brickwork/wood/etc.)</li> <li>14 Corner protection profile</li> <li>15 Self-drilling screw 4.2x13 FLAT HEAD in zigzag@500mm</li> <li>16 MOLLY @ 500 mm metal dowel</li> <li>17 NIDA Metal CW end profile</li> <li>18 Self-tapping screw 212xL2 + flat washer @ 500 mm</li> <li>19 NIDA Metal UD30 end profile</li> </ul> |
|--|---|



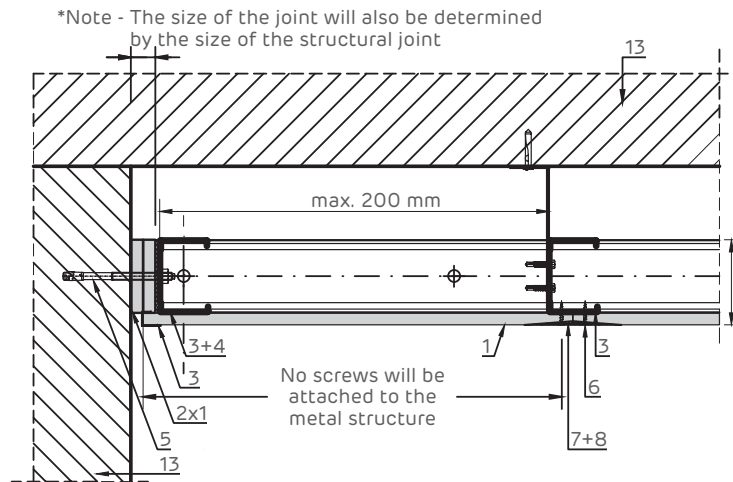
Expansion joint Horizontal section.



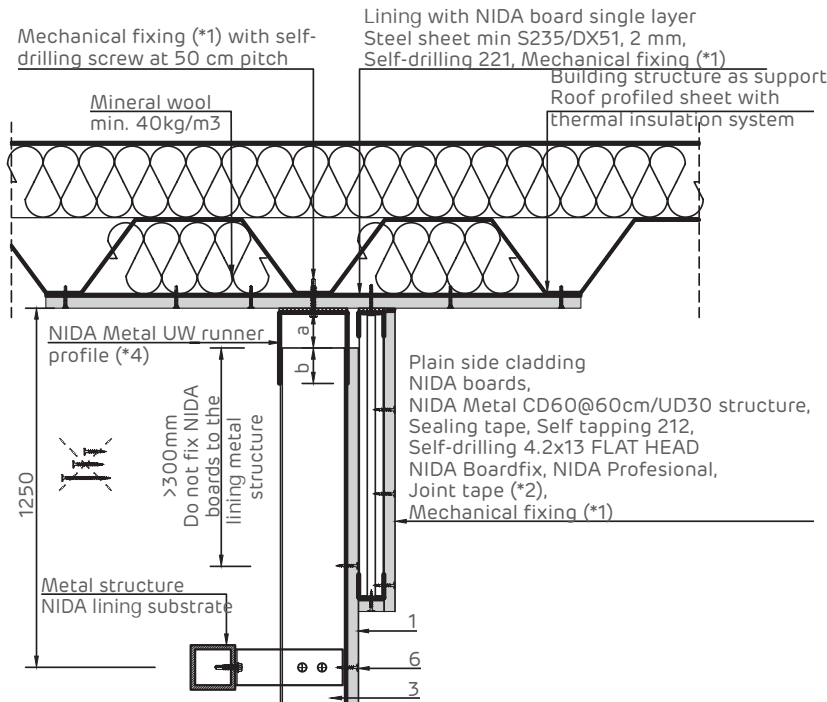
NOTE:

- (iv) For the last plasterboard layer, it is not acceptable to make a joint in front of the specified upright.
- (v) In the case of lining longer than 15 m, a vertical joint should be made every 10 m of the system; the joint should also be placed in front of structural joints.

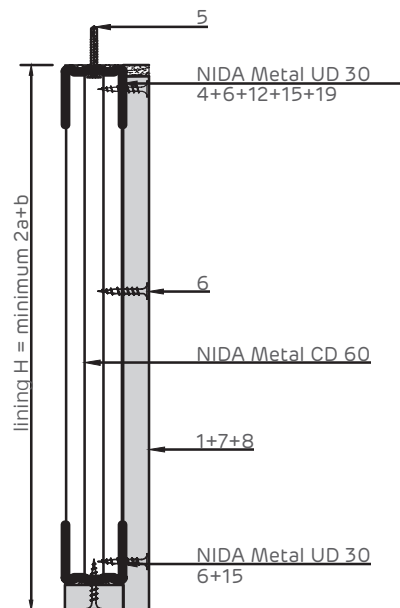
Sliding joint with sturdy items. Horizontal section.



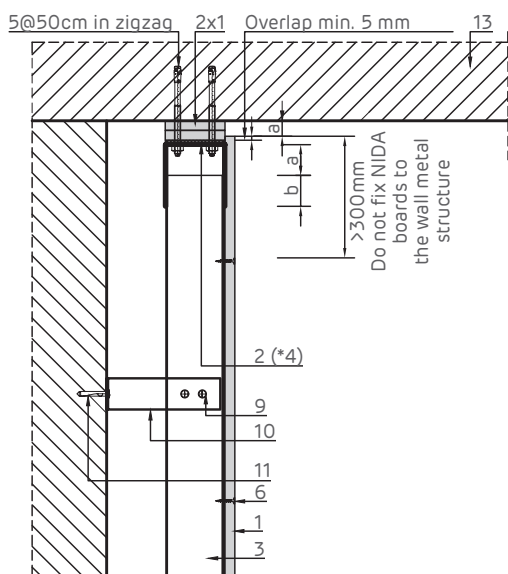
Detailed attachment at the top on the roof sheet. System parallel to the sheet ribs. Vertical section



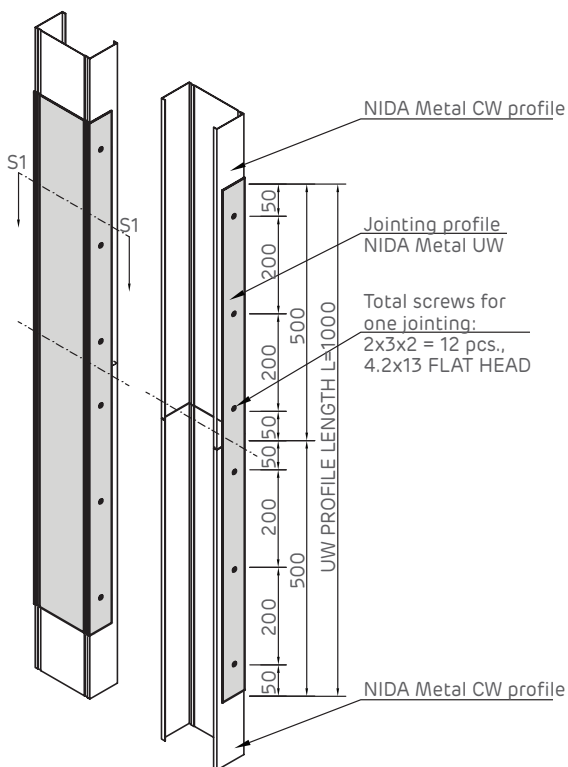
Detail of plain side lining. Vertical section



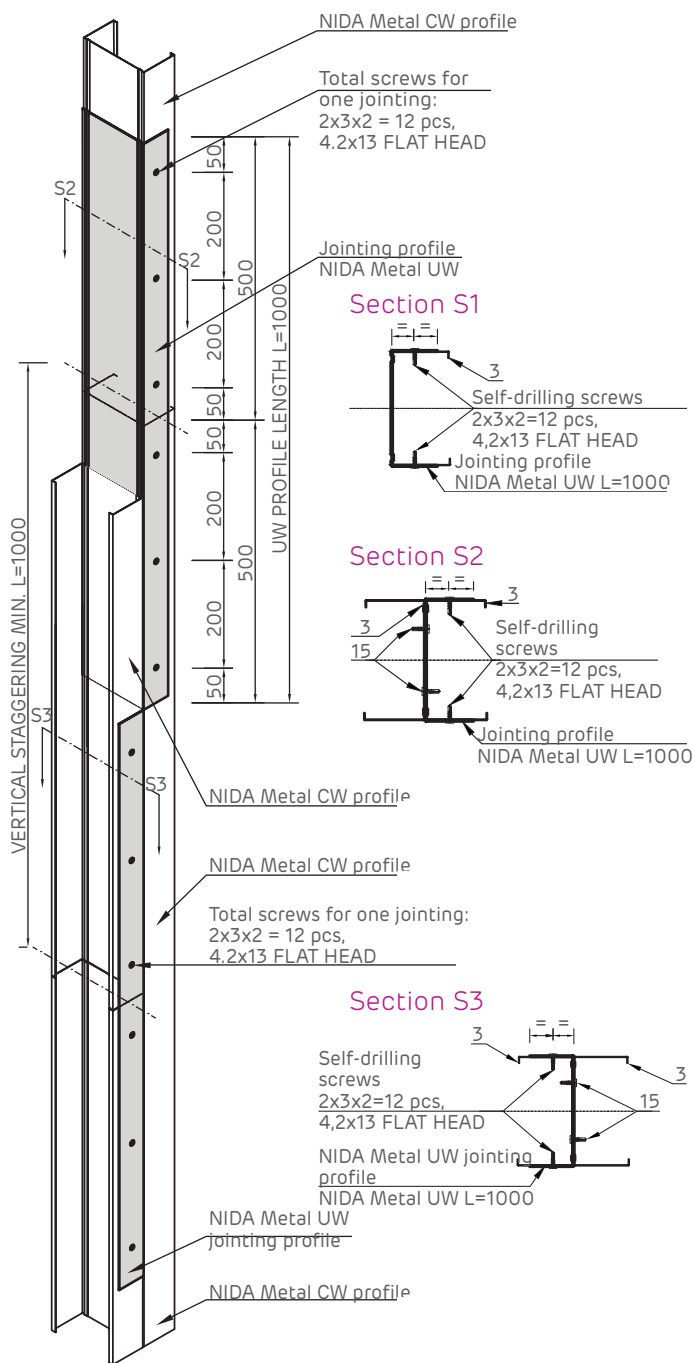
Sliding attachment detail at top on reinforced concrete members. Vertical section



Joining detail of NIDA Metal CW single profiles.



Joining detail of NIDA Metal CW double profiles.

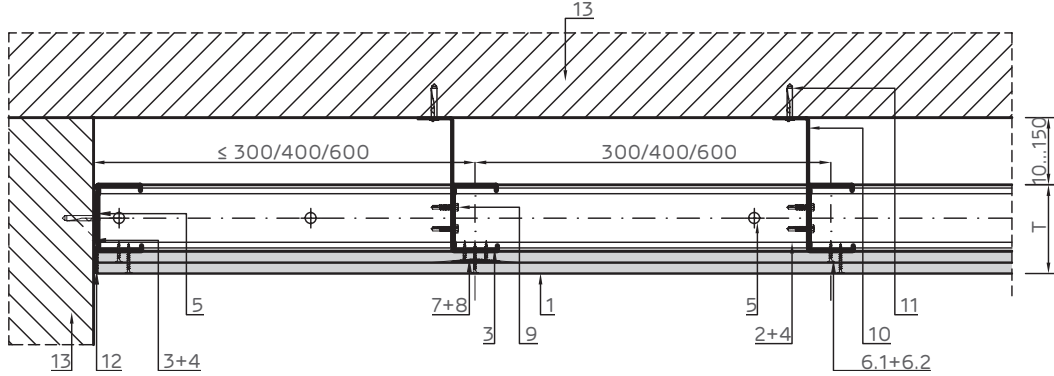


- 1 1x Siniat plasterboard
- 2 NIDA Metal UW runner profile
- 3 NIDA Metal CW stud
- 4 Single-sided sealing tape
- 5 Mechanical fixing - Max. pitch 500 mm (\*1)
- 6 Self-tapping screw 212xL1 @ 300
- 7 Jointing tape (\*2)
- 8 NIDA Professional jointing plaster
- 9 Self-drilling screw 5.5x25 2 pcs/fastening
- 10 Corner iron 200x40x40x2 mm
- 11 Mechanical fixing (\*1) 1 pc/fastening
- 12 NIDA Boardfix
- 13 Stiff support (reinforced concrete/brickwork/wood/etc.)
- 14 Corner protection profile
- 15 Self-drilling screw 4.2x13 FLAT HEAD in zigzag@500mm
- 16 MOLLY @ 500 mm metal dowel
- 17 NIDA Metal CW end profile
- 18 Self-tapping screw 212xL2 + flat washer @ 500 mm
- 19 NIDA Metal UD30 end profile

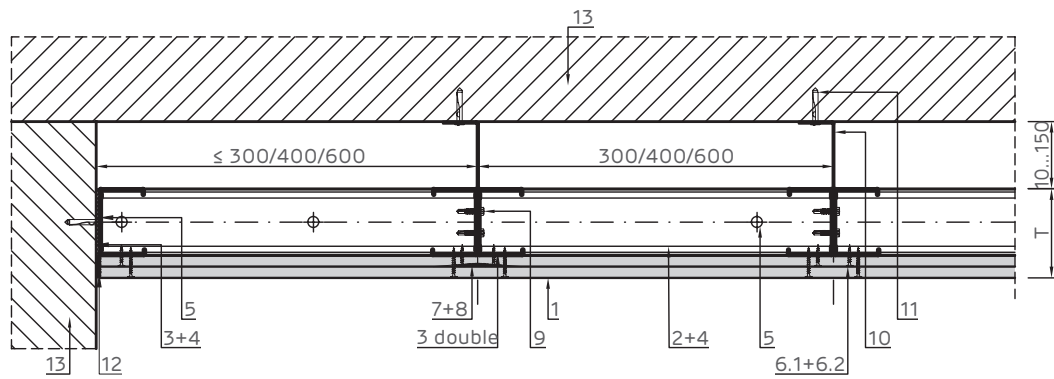
# NIDA System T.CW.F

NIDA System T.CW.F double-layer lining  
on NIDA Metal CW/UW structure, with intermediate fixing

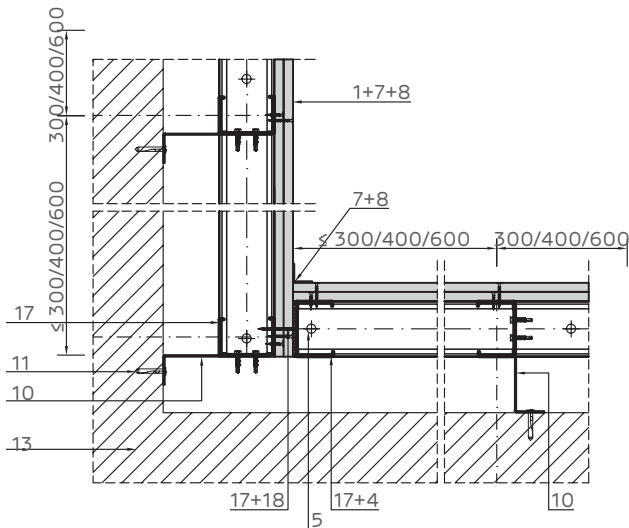
Attachment to stiff support. Horizontal section.



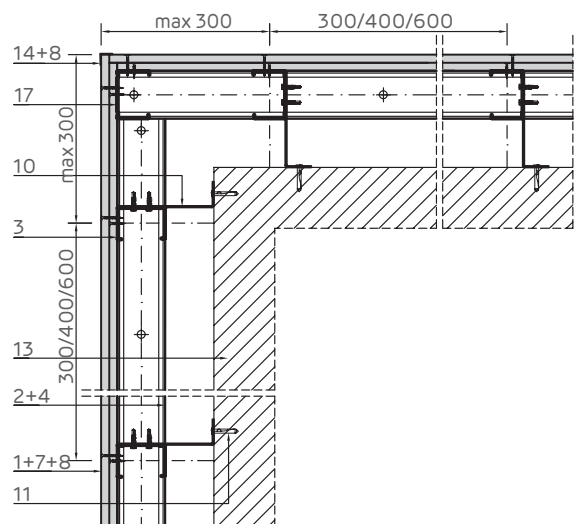
Attachment to stiff support.  
Horizontal section - double upright



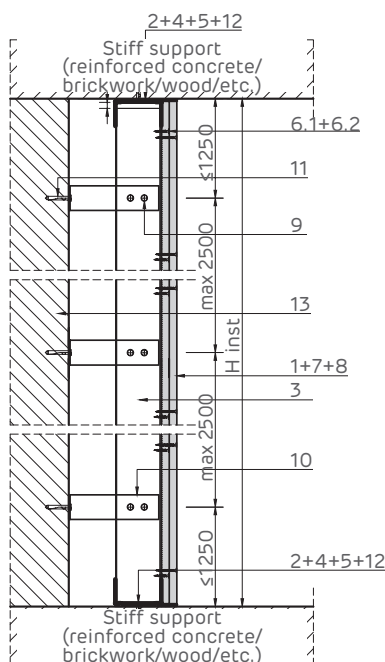
90° corner joint. Horizontal section.



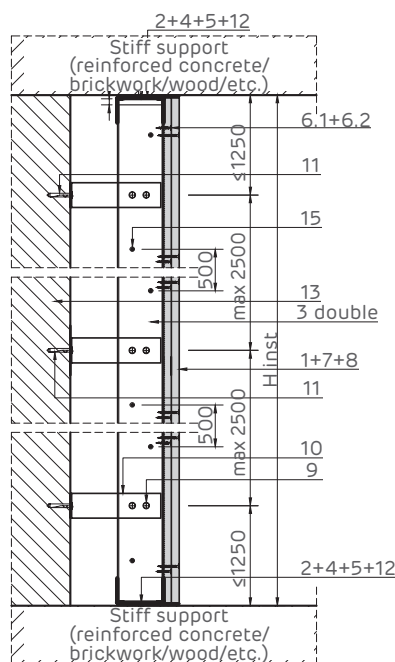
270° corner joint. Horizontal section.



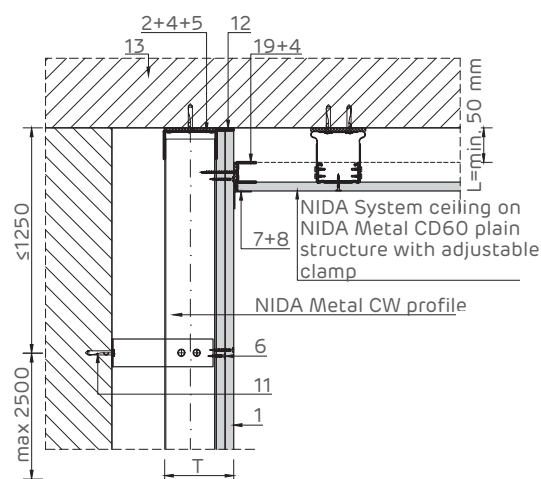
Attachment to stiff support.  
Vertical section



Attachment to stiff support.  
Vertical section - double upright



Detailed crossing with suspended ceiling  
on plain structure with adjustable clamp.  
Vertical section

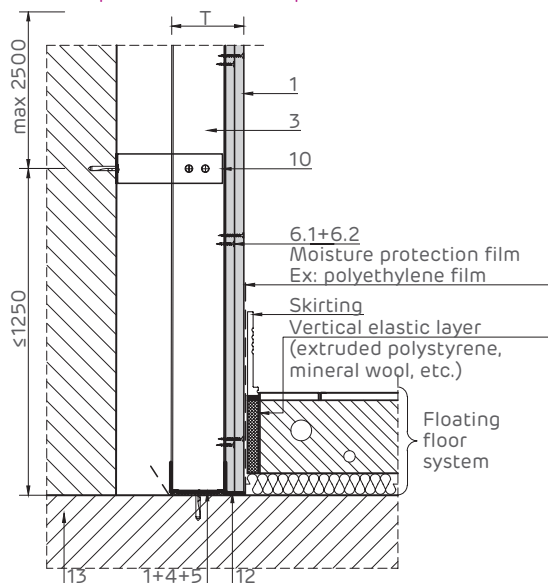


**NOTE:**

NIDA Metal UD runner profile may not be fixed to the wall structure in the plasterboard sliding area.

- 1 2x Siniat plasterboard
- 2 NIDA Metal UW runner profile
- 3 NIDA Metal CW stud
- 4 Single-sided sealing tape
- 5 Mechanical fixing - Max. pitch 500 mm (\*1)
- 6.1 Self-tapping screw 212xL1 @ 600
- 6.2 Self-tapping screw 212xL2 @ 300
- 7 Jointing tape (\*2)
- 8 NIDA Profesional jointing plaster
- 9 Self-drilling screw 5.5x25- 2 pcs/fastening

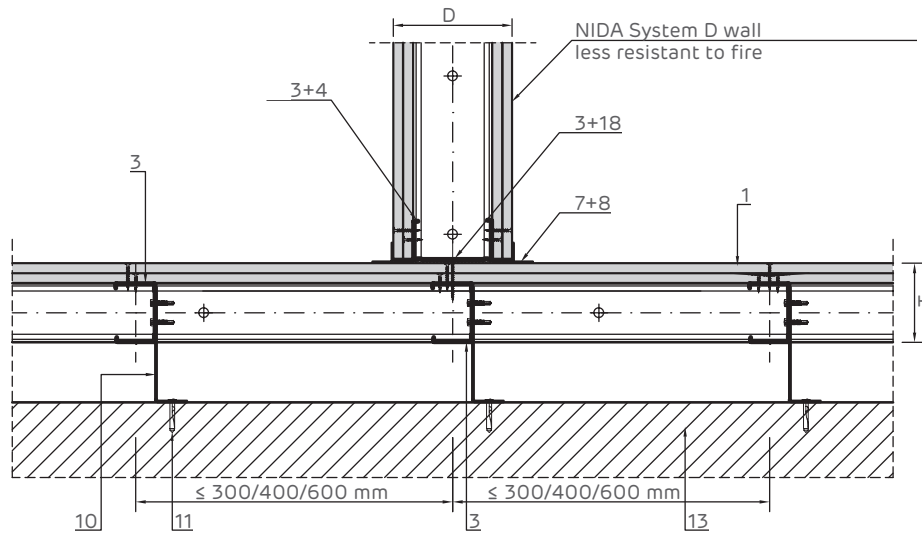
Detailed crossing with floating floor system.  
Vertical section at the bottom of the lining.  
For superior acoustic performance.



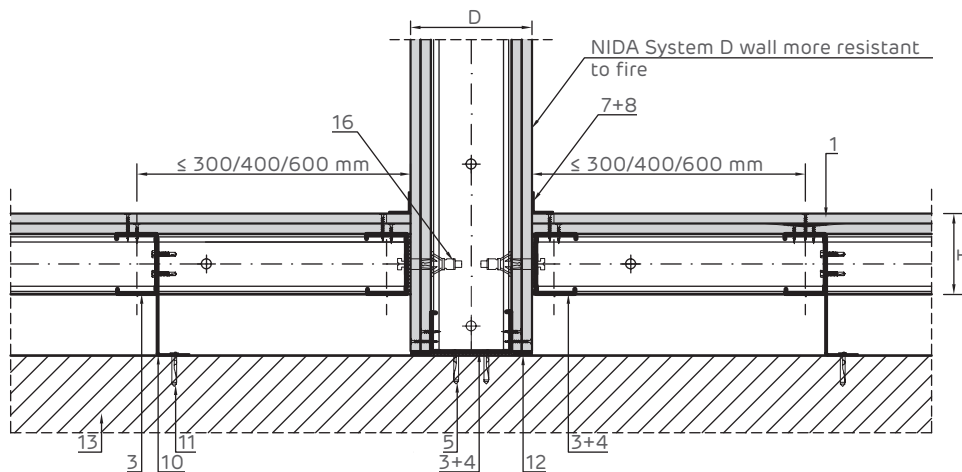
- 10 Corner iron 200x40x40x2 mm
- 11 Mechanical fixing (\*1) 1 pc/fastening
- 12 NIDA Boardfix
- 13 Stiff support (reinforced concrete/brickwork/wood/etc.)
- 14 Corner protection profile
- 15 Self-drilling screw 4.2x13 FLAT HEAD in zigzag@500mm
- 16 MOLLY @ 500 mm metal dowel
- 17 NIDA Metal CW end profile
- 18 Self-tapping screw 212xL3 + flat washer @500mm
- 19 NIDA Metal UD30 end profile



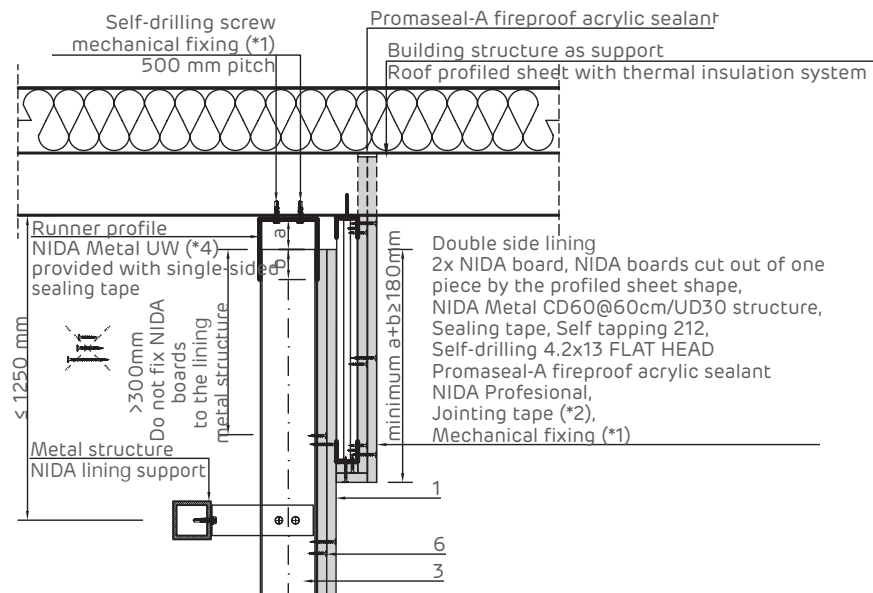
Crossing with D wall less resistant to fire  
Horizontal section.



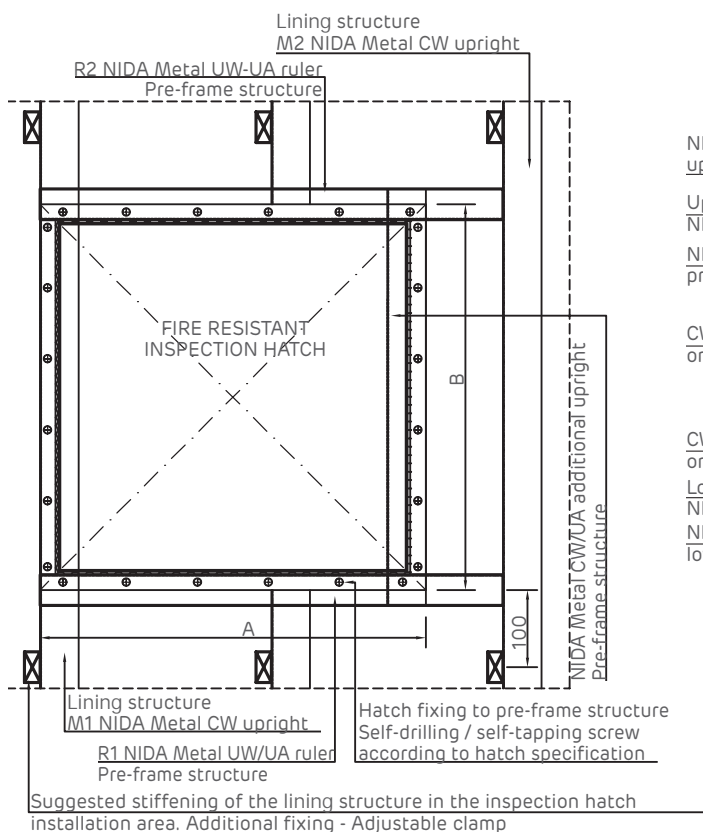
Crossing with D wall more resistant to fire  
Horizontal section.



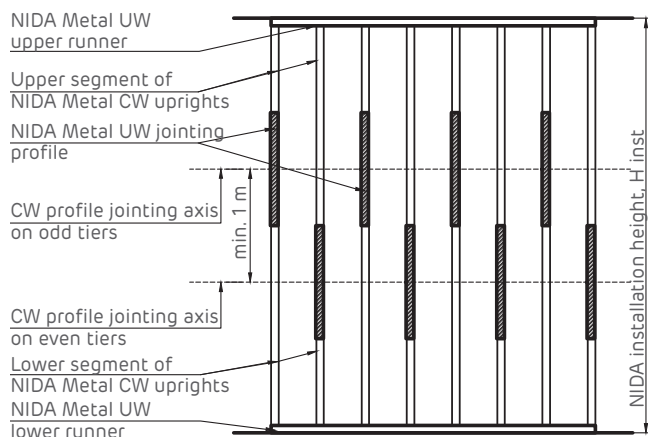
Detailed attachment at the top on the roof profiled sheet.  
System perpendicular to the profiles. Vertical section



Access hatch elevation.

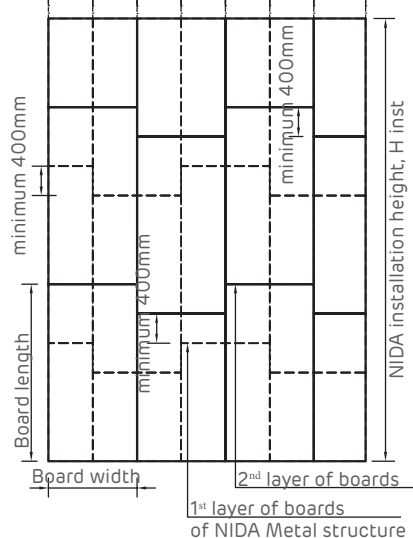


NIDA Metal CW profile joint staggering. System elevation.



Board staggering. System elevation. Vertical and horizontal joints should be staggered to avoid overlap.

NIDA Metal CW/UA/CD profile upright interaxis



NOTE (\*):

The pre-frame structure (Rulers R1, R2 + Uprights M1, M2) used for fixing the hatch will be sized according to the following points:

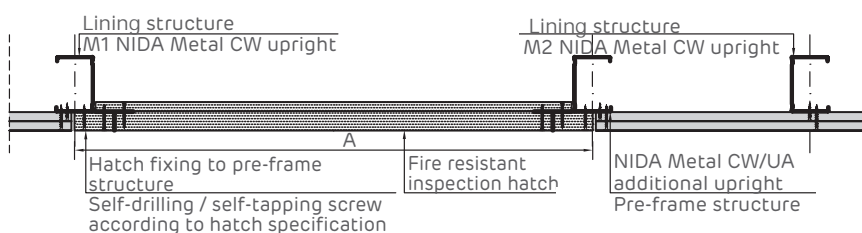
- Hatch sizes (A, B)
- Hatch weight
- Lining height and configuration

M1, M2 uprights design options: CW, CW - H, UA, UA - H, UA strong box type

R1, R2 rulers design options: UW, UW strong box type, UA strong box type

If the NIDA System lining is intended to be fire resistant from both directions, then the installed hatch shall also be fire resistant from both directions.

Horizontal section of the inspection hatch.

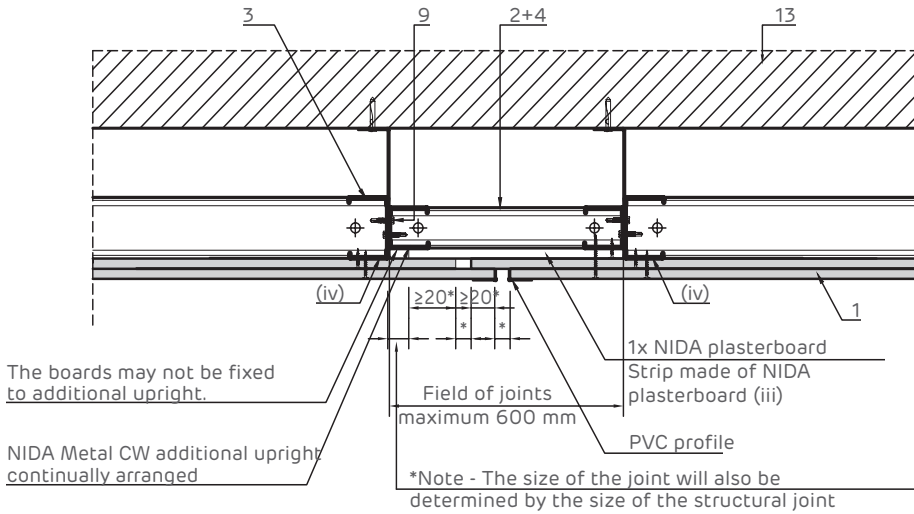


NOTE:

The detail presented is general in nature and focuses on the stiffening of the structure in the hatch installation area. It will be customised according to the model of hatch to be installed in the NIDA system

- 1 2x Siniat plasterboard
- 2 NIDA Metal UW runner profile
- 3 NIDA Metal CW stud
- 4 Single-sided sealing tape
- 5 Mechanical fixing - Max. pitch 500 mm (\*1)
- 6.1 Self-tapping screw 212xL1 @ 600
- 6.2 Self-tapping screw 212xL2 @ 300
- 7 Jointing tape (\*2)
- 8 NIDA Professional jointing plaster
- 9 Self-drilling screw 5.5x25- 2 pcs/fastening
- 10 Corner iron 200x40x40x2 mm
- 11 Mechanical fixing (\*1) 1 pc/fastening
- 12 NIDA Boardfix
- 13 Stiff support (reinforced concrete/brickwork/wood/etc.)
- 14 Corner protection profile
- 15 Self-drilling screw 4.2x13 FLAT HEAD in zigzag@500mm
- 16 MOLLY @ 500 mm metal dowel
- 17 NIDA Metal CW end profile
- 18 Self-tapping screw 212xL3 + flat washer @500mm
- 19 NIDA Metal UD30 end profile

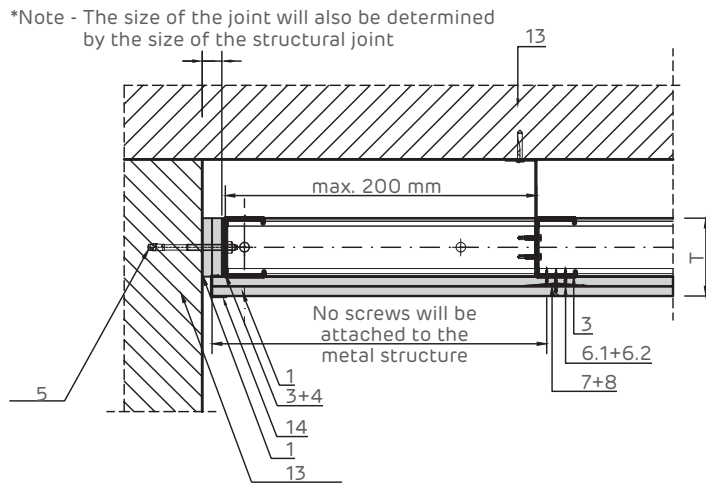
Expansion joint Horizontal section.



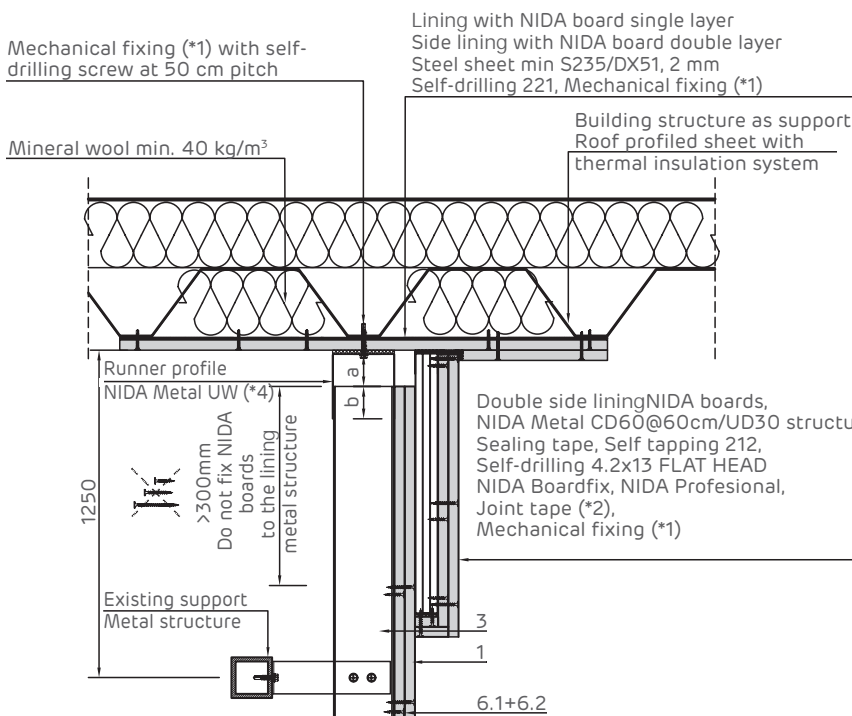
**NOTE:**

- (iv) For the last plasterboard layer, it is not acceptable to make a joint in front of the specified upright.
- (v) In the case of lining longer than 15 m, a vertical joint should be made every 10 m of the system; the joint should also be placed in front of structural joints.

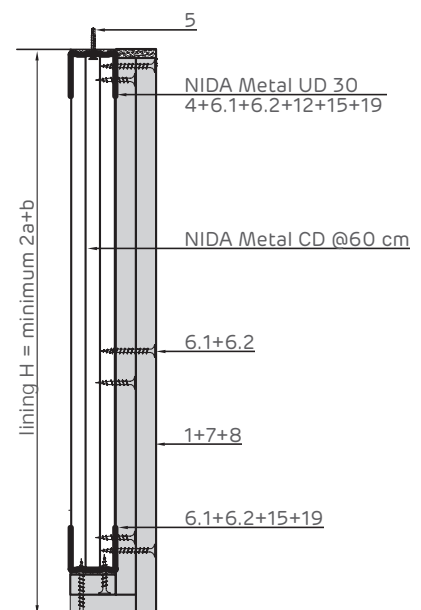
Sliding joint with sturdy items. Horizontal section.



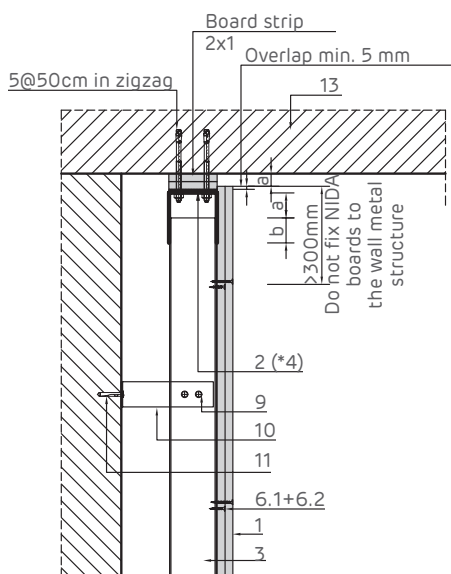
Detailed attachment at the top on the roof profiled sheet. System parallel to the sheet ribs. Vertical section



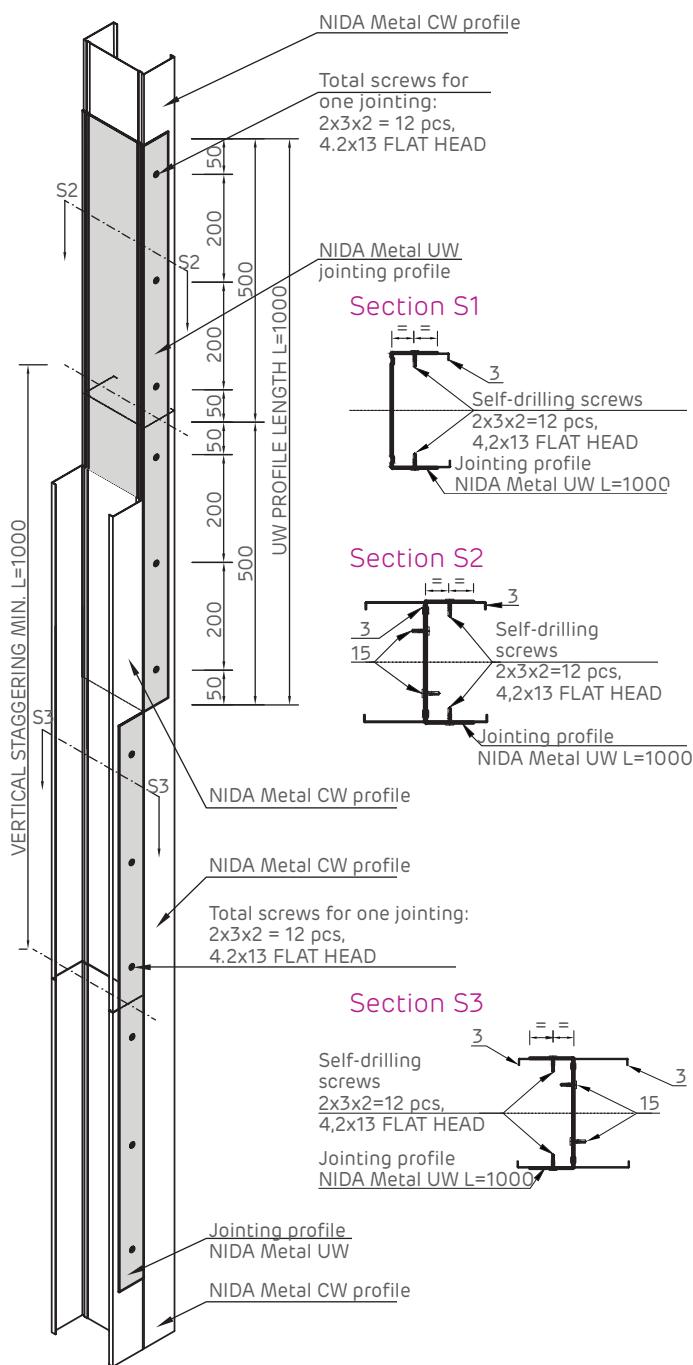
Detail of double side lining. Vertical section



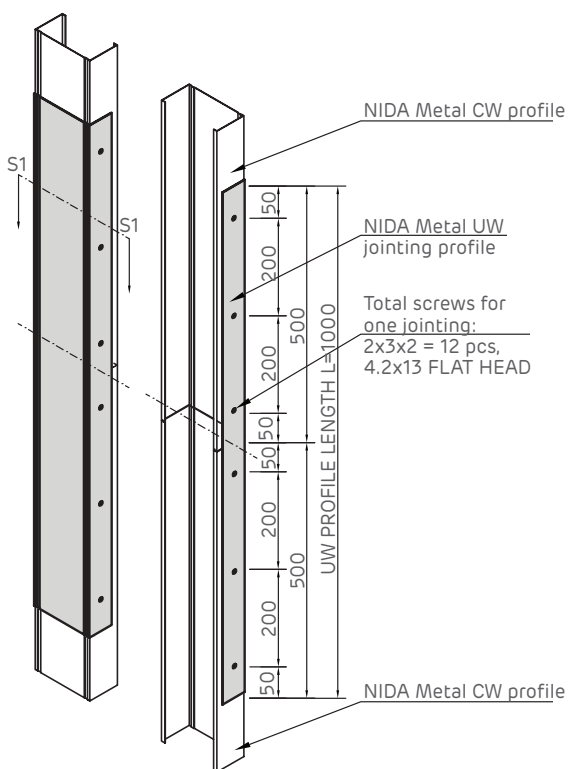
Sliding attachment detail at top on reinforced concrete members. Vertical section



Joining detail of NIDA Metal CW doubled profiles.



Joining detail of NIDA Metal CW single profiles.



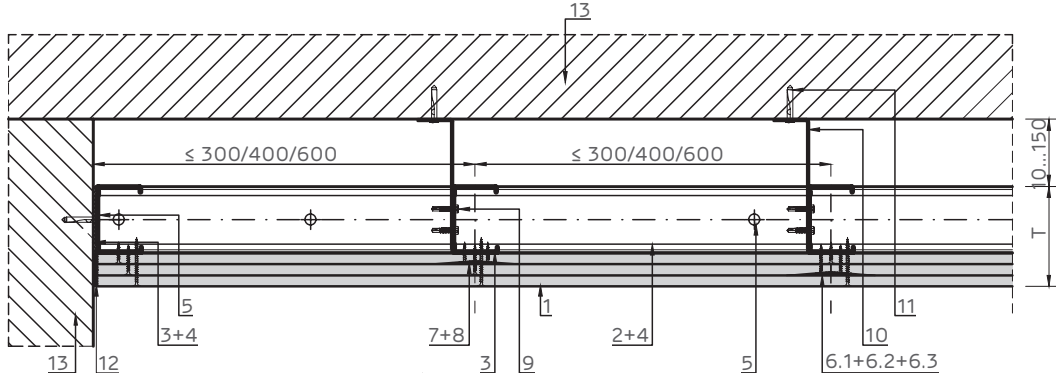
- 1 2x Siniat plasterboard
- 2 NIDA Metal UW runner profile
- 3 NIDA Metal CW stud
- 4 Single-sided sealing tape
- 5 Mechanical fixing - Max. pitch 500 mm (\*1)
- 6.1 Self-tapping screw 212xL1 @ 600
- 6.2 Self-tapping screw 212xL2 @ 300
- 7 Jointing tape (\*2)
- 8 NIDA Profesional jointing plaster
- 9 Self-drilling screw 5.5x25- 2 pcs/fastening

- 10 Corner iron 200x40x40x2 mm
- 11 Mechanical fixing (\*1) 1 pc/fastening
- 12 NIDA Boardfix
- 13 Stiff support (reinforced concrete/brickwork/wood/etc.)
- 14 Corner protection profile
- 15 Self-drilling screw 4.2x13 FLAT HEAD in zigzag@500mm
- 16 MOLLY @ 500 mm metal dowel
- 17 NIDA Metal CW end profile
- 18 Self-tapping screw 212xL3 + flat washer @500mm
- 19 NIDA Metal UD30 end profile

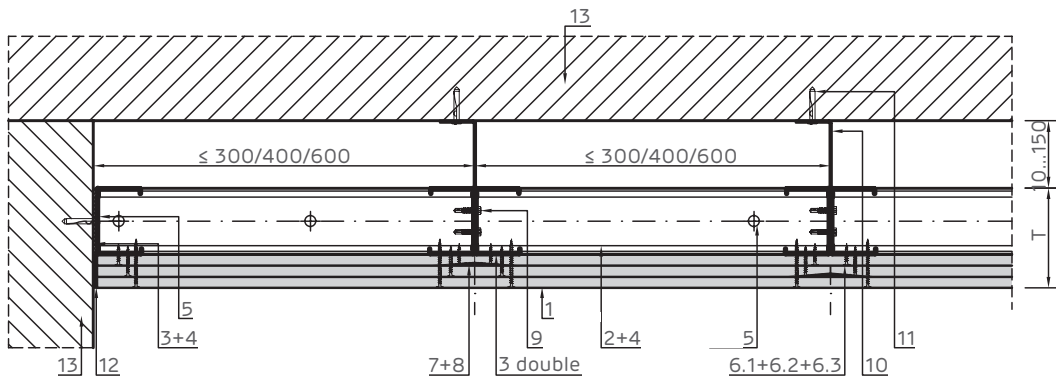
# NIDA System T.CW.F

NIDA System T.CW.F triple-layer lining  
on NIDA Metal CW/UW structure, with intermediate fixing

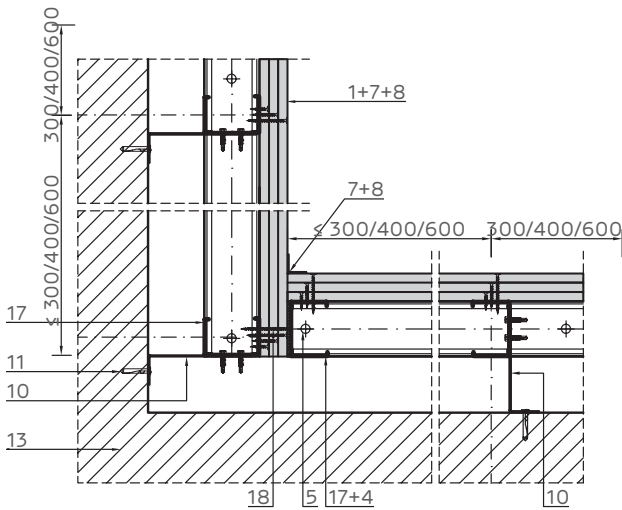
Attachment to stiff support. Horizontal section.



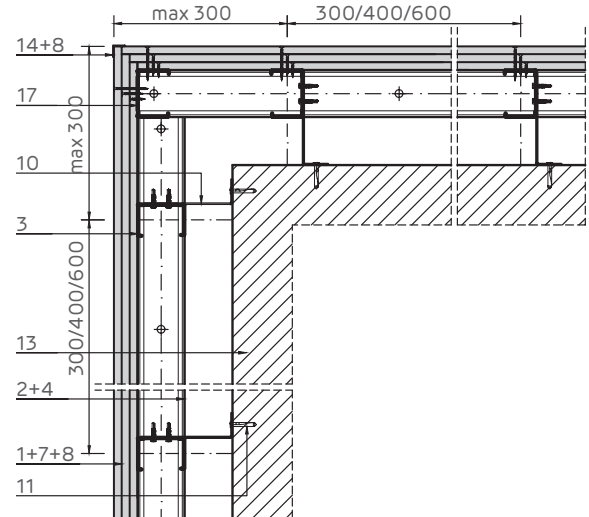
Attachment to stiff support.  
Horizontal section - double upright



90° corner joint. Horizontal section.

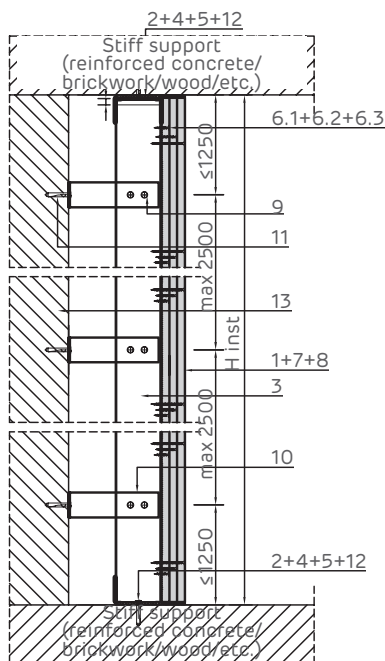


270° corner joint. Horizontal section.

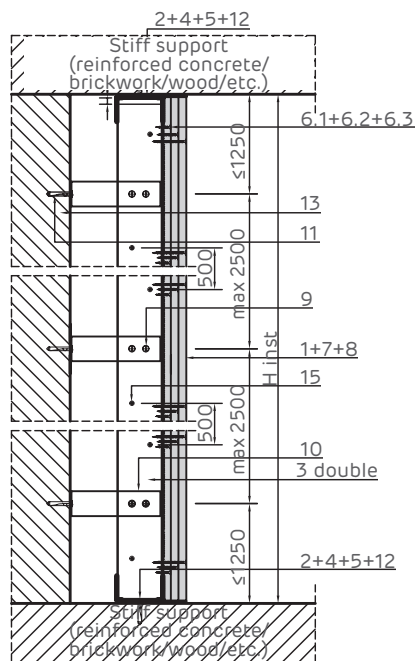




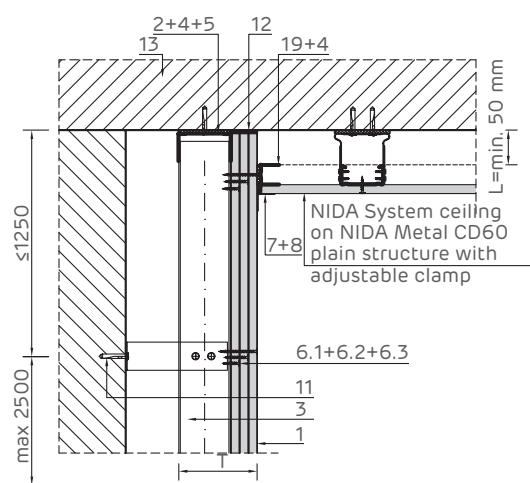
Attachment to stiff support.  
Vertical section



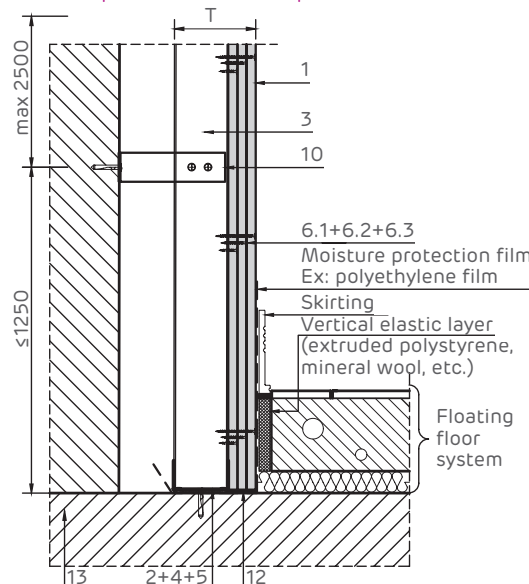
Attachment to stiff support.  
Vertical section - double upright



Detailed crossing with suspended ceiling  
on plain structure with adjustable clamp.  
Vertical section



Detailed crossing with floating floor system.  
Vertical section at the bottom of the lining.  
For superior acoustic performance.



**NOTE:**

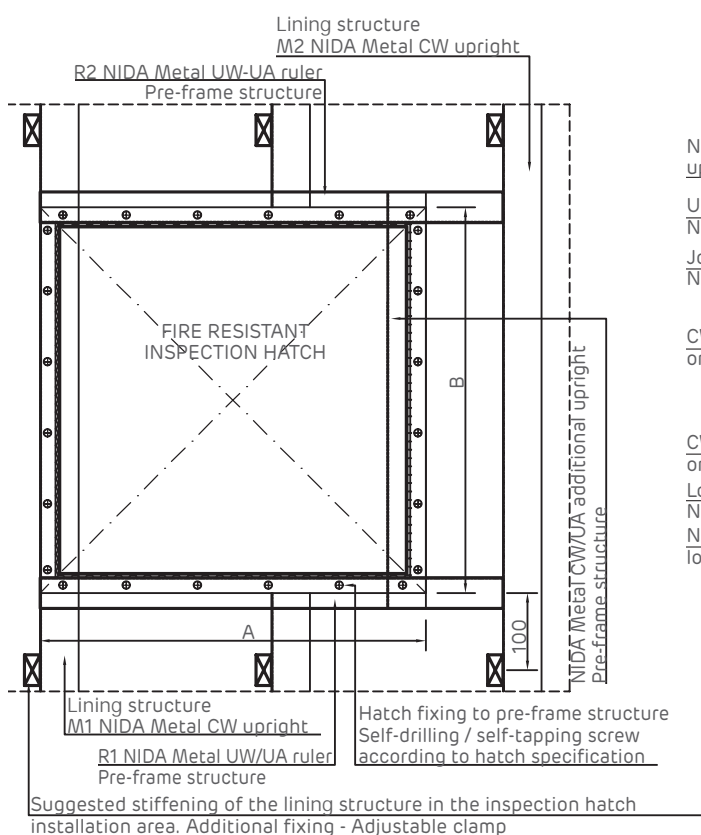
NIDA Metal UD runner profile may not be fixed to the wall structure in the plasterboard sliding area.

- 1 3x Siniat plasterboard
- 2 NIDA Metal UW runner profile
- 3 NIDA Metal CW stud
- 4 Single-sided sealing tape
- 5 Mechanical fixing - Max. pitch 500 mm (\*1)
- 6.1 Self-tapping screw 212xL1 @ 600
- 6.2 Self-tapping screw 212xL2 @ 600
- 6.3 Self-tapping screw 212xL3 @ 300
- 7 Jointing tape (\*2)
- 8 NIDA Profesional jointing plaster
- 9 Self-drilling screw 5.5x25- 2 pcs/fastening

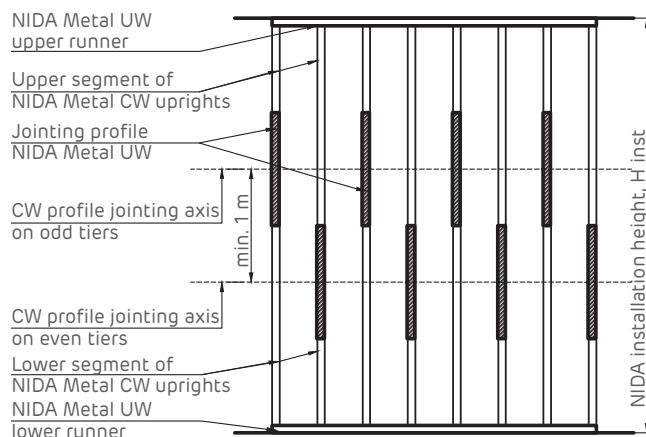
- 10 Corner iron 200x40x40x2 mm
- 11 Mechanical fixing (\*1) 1 pc/fastening
- 12 NIDA Boardfix
- 13 Stiff support (reinforced concrete/brickwork/wood/etc.)
- 14 Corner protection profile
- 15 Self-drilling screw 4.2x13 FLAT HEAD in zigzag@500mm
- 16 MOLLY @ 500 mm metal dowel
- 17 NIDA Metal CW end profile
- 18 Self-tapping screw 212xL4 + flat washer @500mm
- 19 NIDA Metal UD30 end profile



Access hatch elevation.

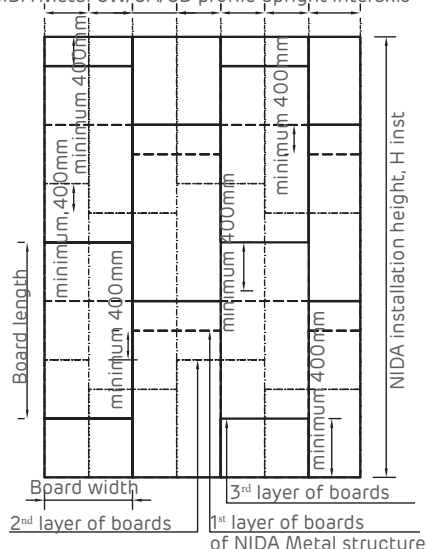


NIDA Metal CW profile joint staggering. System elevation.



Board staggering. System elevation. Vertical and horizontal joints should be staggered to avoid overlap.

NIDA Metal CW/UA/CD profile upright interaxis



NOTE (\*):

The pre-frame structure (Rulers R1, R2 + Uprights M1, M2) used for fixing the hatch will be sized according to the following points:

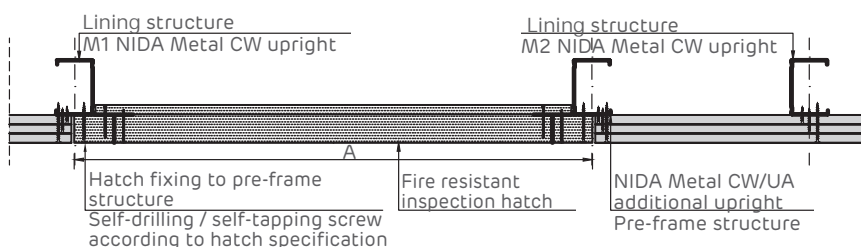
- Hatch sizes (A, B)
- Hatch weight
- Lining height and configuration

M1, M2 uprights design options: CW, CW - H, UA, UA - H, UA strong box type

R1, R2 rulers design options: UW, UW strong box type, UA strong box type

If the NIDA System lining is intended to be fire resistant from both directions, then the installed hatch shall also be fire resistant from both directions.

Horizontal section of the inspection hatch

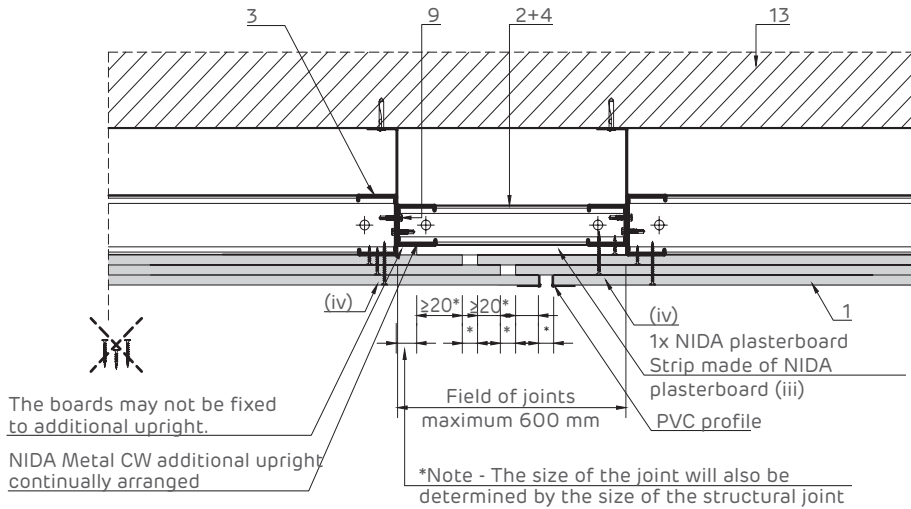


NOTE:

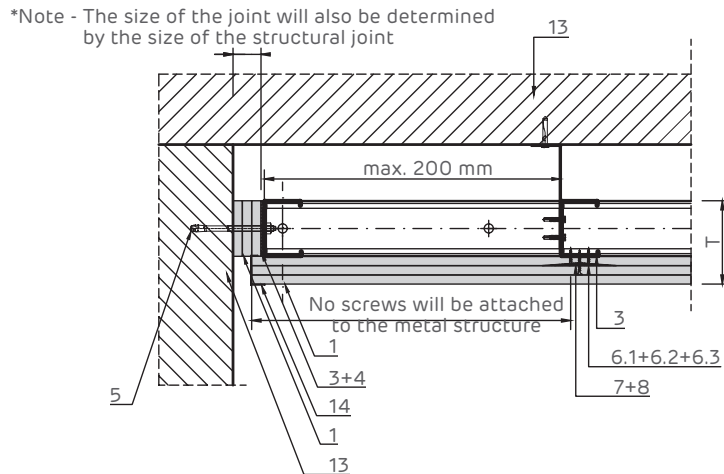
The detail presented is general in nature and focuses on the stiffening of the structure in the hatch installation area. It will be customised according to the model of hatch to be installed in the NIDA system

- 1 3x Siniat plasterboard
- 2 NIDA Metal UW runner profile
- 3 NIDA Metal CW stud
- 4 Single-sided sealing tape
- 5 Mechanical fixing - Max. pitch 500 mm (\*1)
- 6.1 Self-tapping screw 212xL1 @ 600
- 6.2 Self-tapping screw 212xL2 @ 600
- 6.3 Self-tapping screw 212xL3 @ 300
- 7 Jointing tape (\*2)
- 8 NIDA Profesional jointing plaster
- 9 Self-drilling screw 5.5x25- 2 pcs/fastening
- 10 Corner iron 200x40x40x2 mm
- 11 Mechanical fixing (\*1) 1 pc/fastening
- 12 NIDA Boardfix
- 13 Stiff support (reinforced concrete/brickwork/wood/etc.)
- 14 Corner protection profile
- 15 Self-drilling screw 4.2x13 FLAT HEAD in zigzag@500mm
- 16 MOLLY @ 500 mm metal dowel
- 17 NIDA Metal CW end profile
- 18 Self-tapping screw 212xL4 + flat washer @500mm
- 19 NIDA Metal UD30 end profile

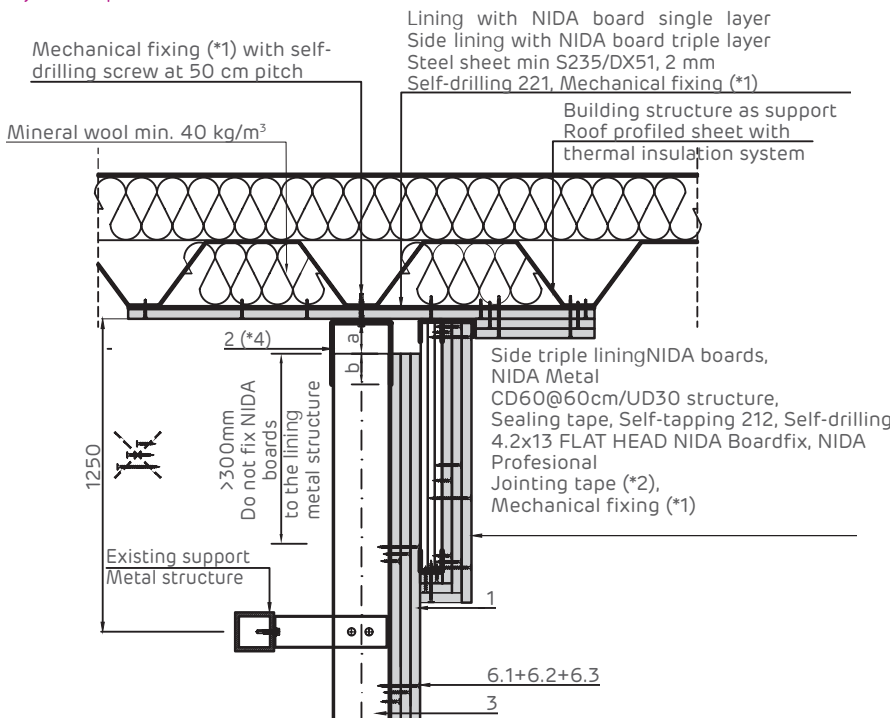
Expansion joint Horizontal section.



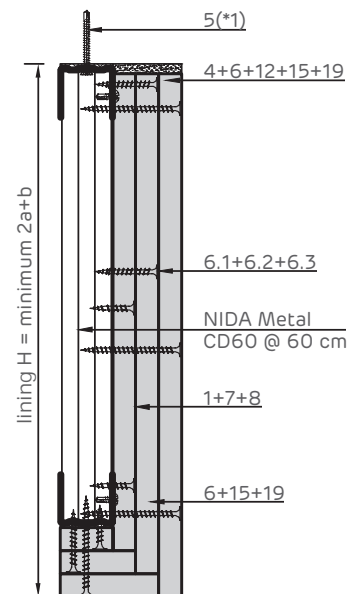
Sliding joint with sturdy items. Horizontal section.



Detailed attachment at the top on the roof profiled sheet System parallel to the sheet ribs. Vertical section



Detail of double side lining. Vertical section





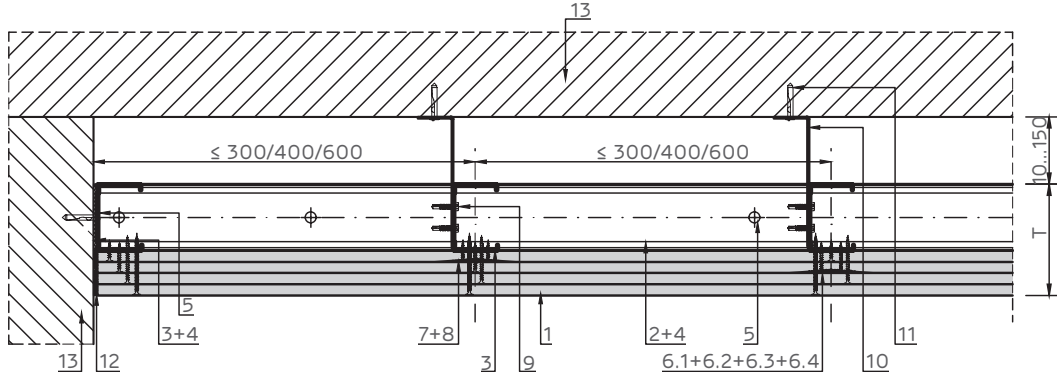


# NIDA System T.CW.F

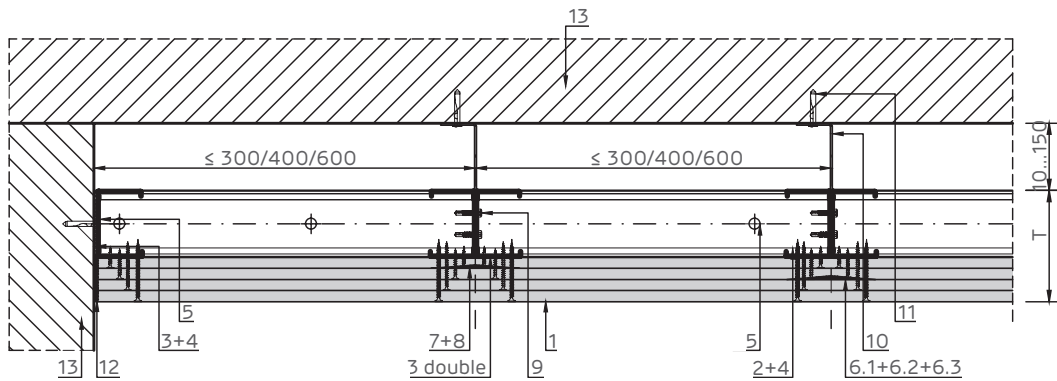
## NIDA System T.CW.F four-layer lining

### on NIDA Metal CW/UW structure, with intermediate fixing

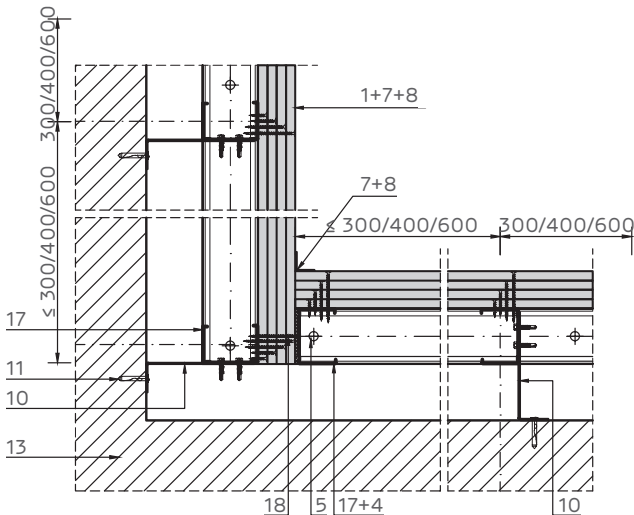
Attachment to stiff support. Horizontal section.



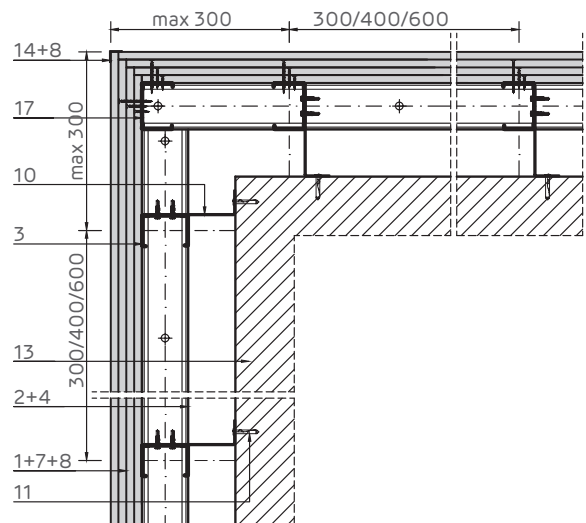
Attachment to stiff support.  
Horizontal section - double upright



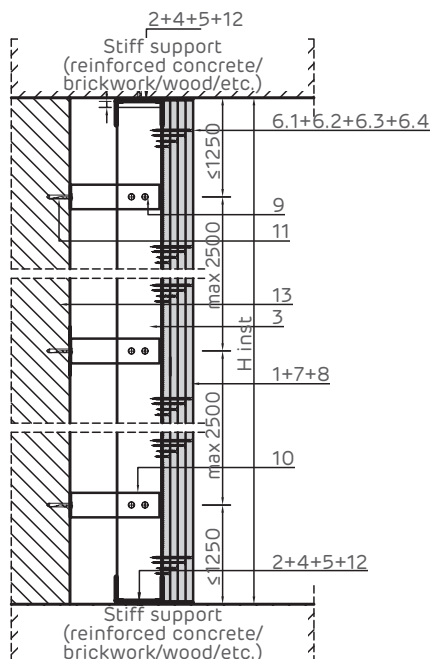
90° corner joint. Horizontal section.



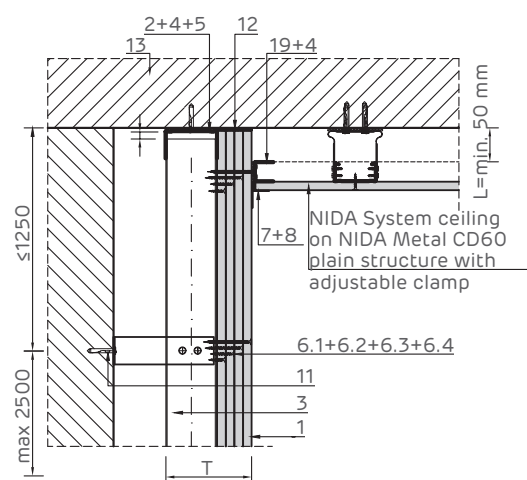
270° corner joint. Horizontal section.



### Attachment to stiff support. Vertical section



### Detailed crossing with suspended ceiling on plain structure with adjustable clamp. Vertical section

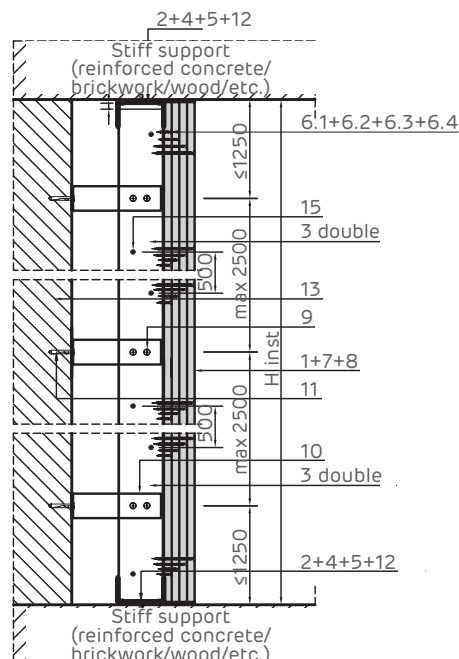


#### NOTE:

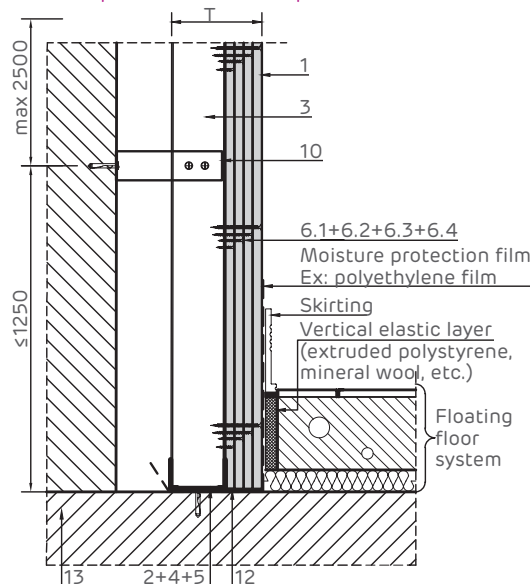
NIDA Metal UD runner profile may not be fixed to the wall structure in the plasterboard sliding area.

- 1 4x Siniat plasterboard
- 2 NIDA Metal UW runner profile
- 3 NIDA Metal CW stud
- 4 Single-sided sealing tape
- 5 Mechanical fixing - Max. pitch 500 mm (\*1)
- 6.1 Self-tapping screw 212xL1 @ 600
- 6.2 Self-tapping screw 212xL2 @ 600
- 6.3 Self-tapping screw 212xL3 @ 600
- 6.4 Self-tapping screw 212xL4 @ 300
- 7 Jointing tape (\*2)
- 8 NIDA Profesional jointing plaster

### Attachment to stiff support. Vertical section - double upright



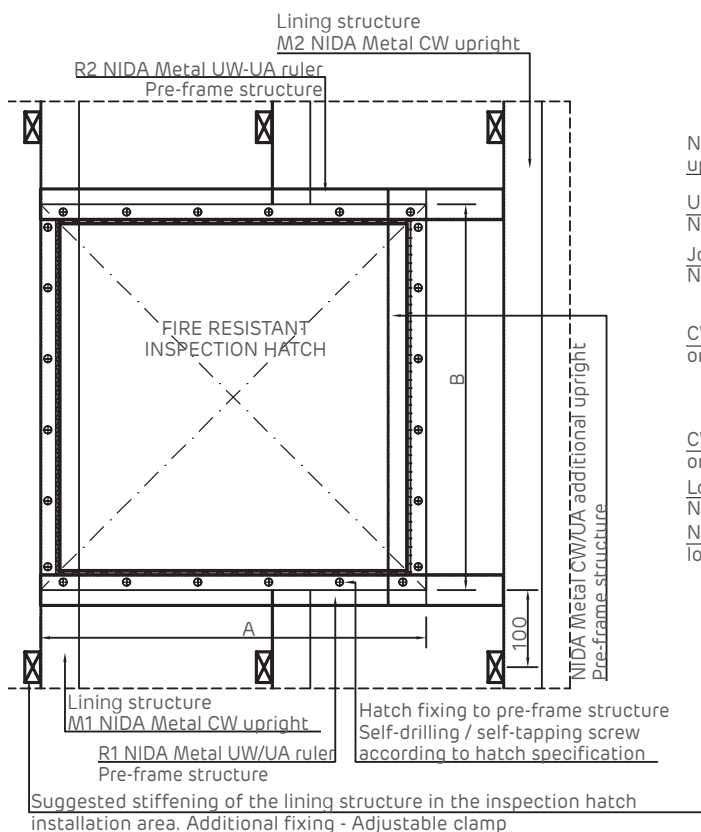
### Detailed crossing with floating floor system. Vertical section at the bottom of the lining. For superior acoustic performance.



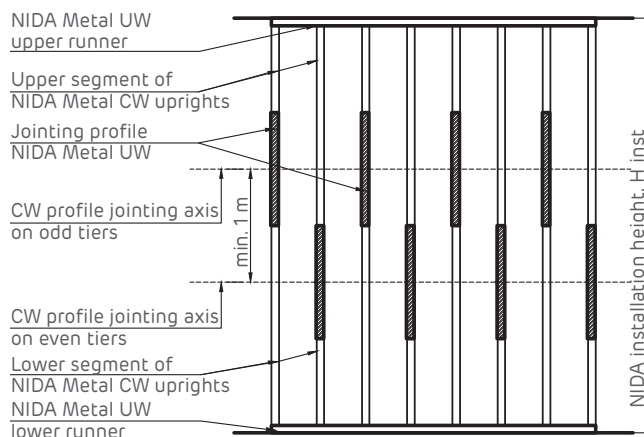
- 9 Self-drilling screw 5.5x25- 2 pcs/fastening
- 10 Corner iron 200x40x40x2 mm
- 11 Mechanical fixing (\*1) 1 pc/fastening
- 12 NIDA Boardfix
- 13 Stiff support (reinforced concrete/brickwork/wood/etc.)
- 14 Corner protection profile
- 15 Self-drilling screw 4.2x13 FLAT HEAD in zigzag@500mm
- 16 MOLLY @ 500 mm metal dowel
- 17 NIDA Metal CW end profile
- 18 Self-tapping screw 212xL5 + flat washer @500mm
- 19 NIDA Metal UD30 end profile



Access hatch elevation.

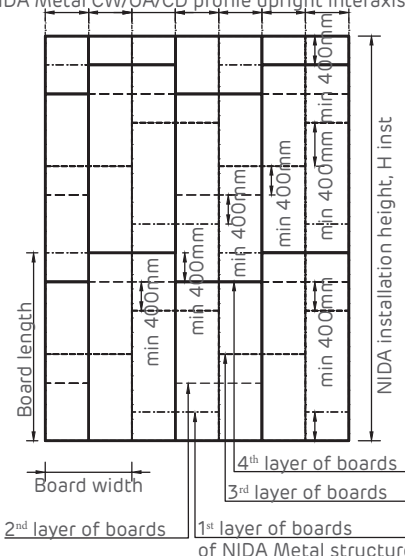


NIDA Metal CW profile joint staggering. System elevation.



Board staggering. System elevation. Vertical and horizontal joints should be staggered to avoid overlap.

NIDA Metal CW/UA/CD profile upright interaxis



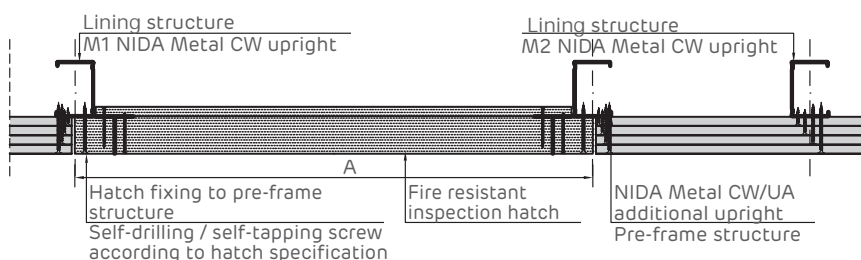
NOTE (\*):

The pre-frame structure (Rulers R1, R2 + Uprights M1, M2) used for fixing the hatch will be sized according to the following points:

- Hatch sizes (A, B)
- Hatch weight
- Lining height and configuration

M1, M2 uprights design options: CW, CW - H, UA, UA - H, UA strong box type  
 R1, R2 rulers design options: UW, UW strong box type, UA strong box type  
 If the NIDA System lining is intended to be fire resistant from both directions, then the installed hatch shall also be fire resistant from both directions.

Horizontal section of the inspection hatch

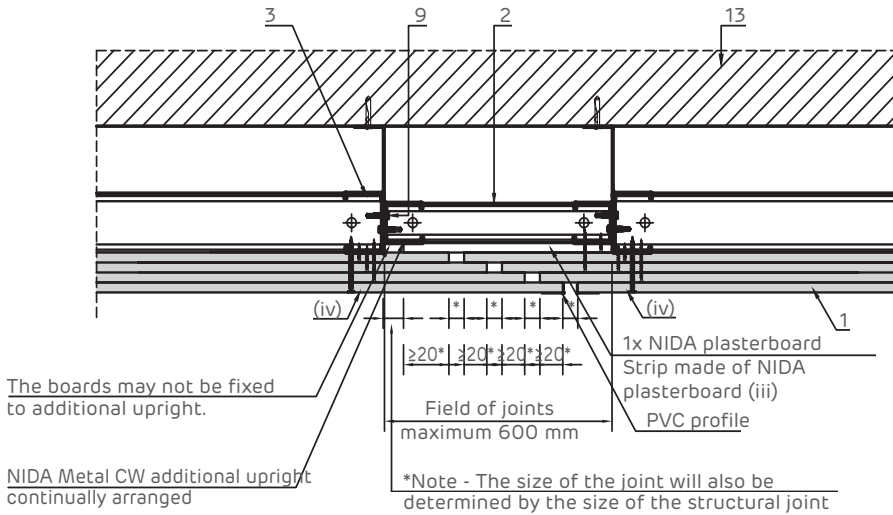


NOTE:

The detail presented is general in nature and focuses on the stiffening of the structure in the hatch installation area. It will be customised according to the model of hatch to be installed in the NIDA system

- |   |   |
|---|---|
| <ul style="list-style-type: none"> <li>1 4x Siniat plasterboard</li> <li>2 NIDA Metal UW runner profile</li> <li>3 NIDA Metal CW stud</li> <li>4 Single-sided sealing tape</li> <li>5 Mechanical fixing - Max. pitch 500 mm (*1)</li> <li>6.1 Self-tapping screw 212xL1 @ 600</li> <li>6.2 Self-tapping screw 212xL2 @ 600</li> <li>6.3 Self-tapping screw 212xL3 @ 600</li> <li>6.4 Self-tapping screw 212xL4 @ 300</li> <li>7 Jointing tape (*2)</li> <li>8 NIDA Professional jointing plaster</li> </ul> | <ul style="list-style-type: none"> <li>9 Self-drilling screw 5.5x25- 2 pcs/fastening</li> <li>10 Corner iron 200x40x40x2 mm</li> <li>11 Mechanical fixing (*1) 1 pc/fastening</li> <li>12 NIDA Boardfix</li> <li>13 Stiff support (reinforced concrete/brickwork/wood/etc.)</li> <li>14 Corner protection profile</li> <li>15 Self-drilling screw 4.2x13 FLAT HEAD in zigzag@500mm</li> <li>16 MOLLY @ 500 mm metal dowel</li> <li>17 NIDA Metal CW end profile</li> <li>18 Self-tapping screw 212xL5 + flat washer @500mm</li> <li>19 NIDA Metal UD30 end profile</li> </ul> |
|---|---|

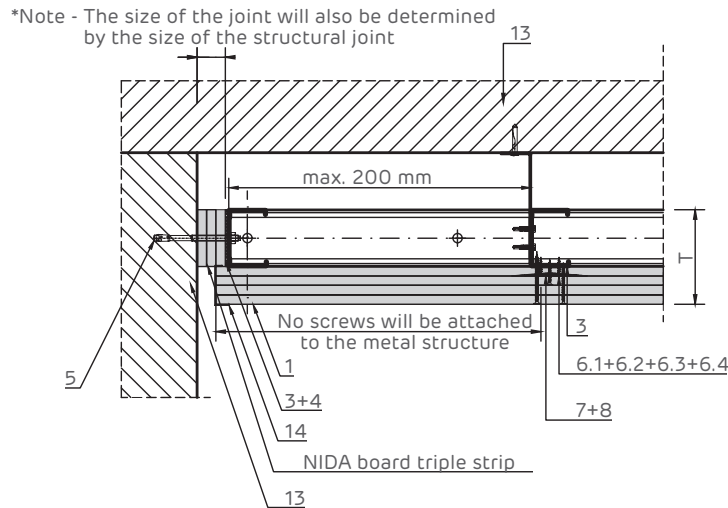
Expansion joint Horizontal section.



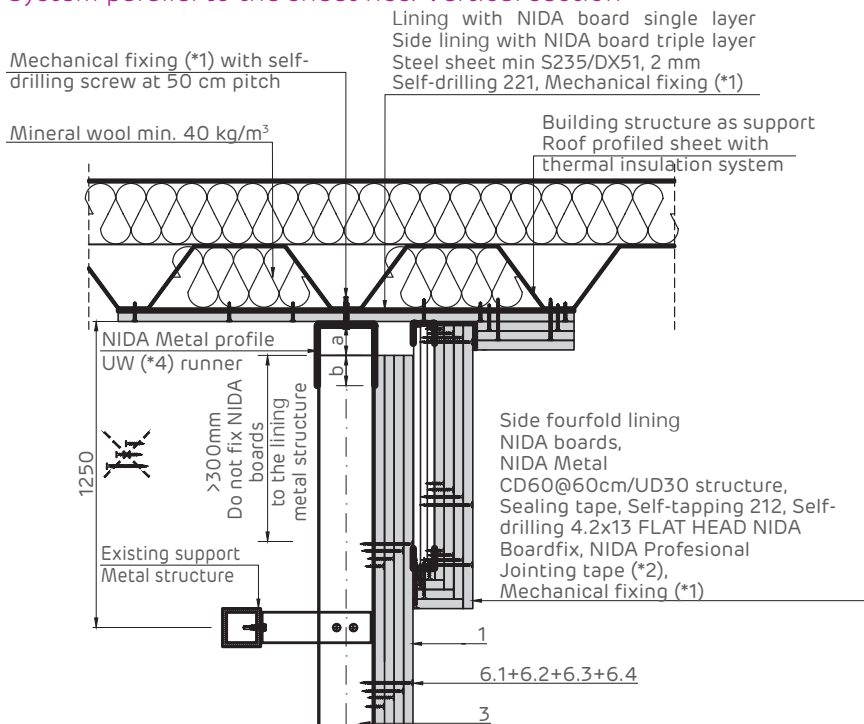
NOTE:

- (iv) For the last plasterboard layer, it is not acceptable to make a joint in front of the specified upright.
- (v) In the case of lining longer than 15 m, a vertical joint should be made every 10 m of the system; the joint should also be placed in front of structural joints.

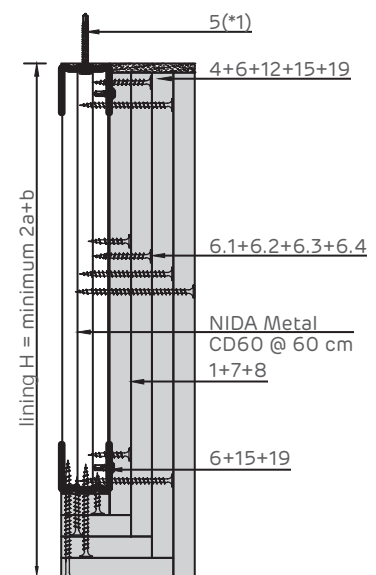
Sliding joint with sturdy items. Horizontal section.



Detailed attachment at the top on the roof profiled sheet. System parallel to the sheet ribs. Vertical section

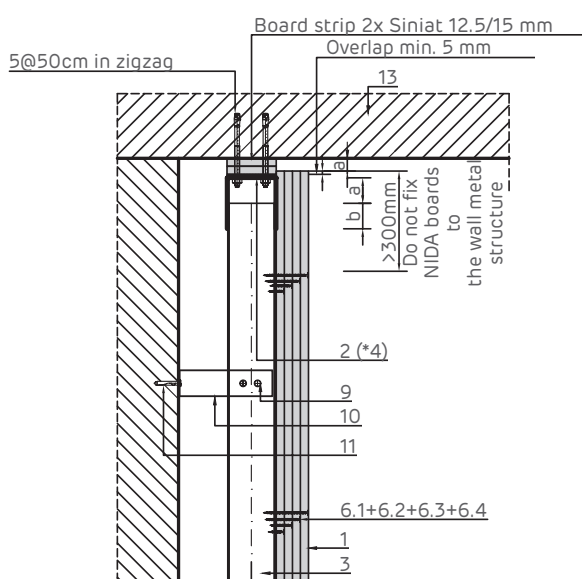


Detail of double side lining. Vertical section

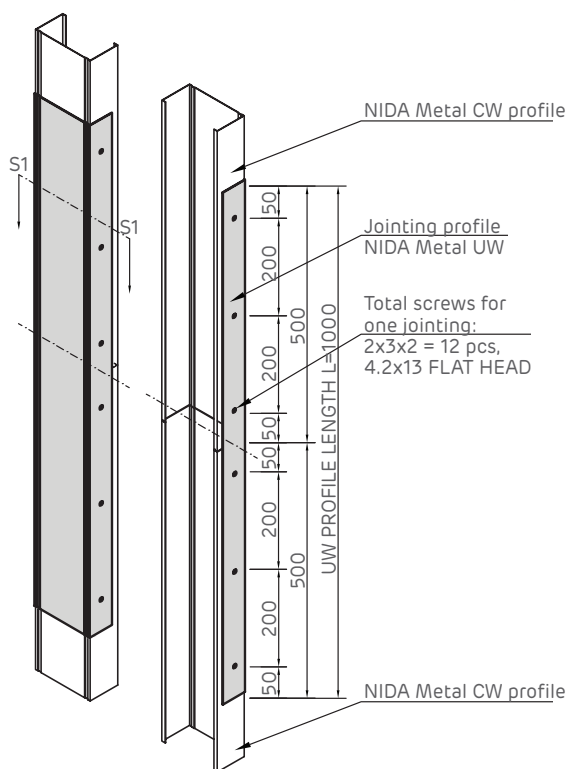




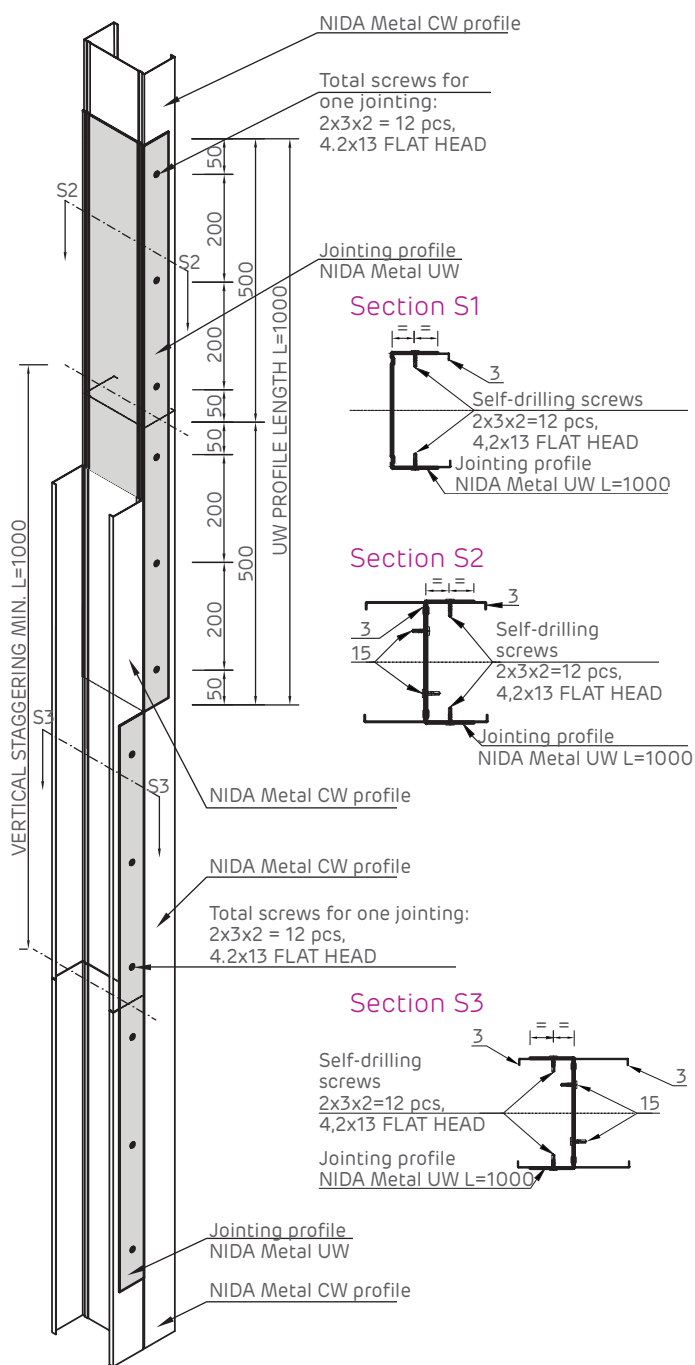
Sliding attachment detail at top on reinforced concrete members. Vertical section



Jointing detail of NIDA Metal CW single profiles.



Jointing detail of NIDA Metal CW double profiles.



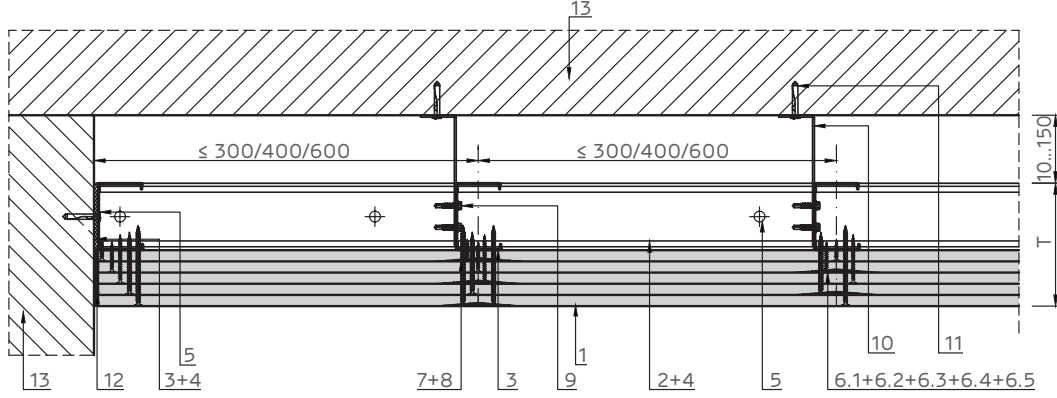
- 1 4x Siniat plasterboard
- 2 NIDA Metal UW runner profile
- 3 NIDA Metal CW stud
- 4 Single-sided sealing tape
- 5 Mechanical fixing - Max. pitch 500 mm (\*1)
- 6.1 Self-tapping screw 212xL1 @ 600
- 6.2 Self-tapping screw 212xL2 @ 600
- 6.3 Self-tapping screw 212xL3 @ 600
- 6.4 Self-tapping screw 212xL4 @ 300
- 7 Jointing tape (\*2)
- 8 NIDA Profesional jointing plaster

- 9 Self-drilling screw 5.5x25- 2 pcs/fastening
- 10 Corner iron 200x40x40x2 mm
- 11 Mechanical fixing (\*1) 1 pc/fastening
- 12 NIDA Boardfix
- 13 Stiff support (reinforced concrete/brickwork/wood/etc.)
- 14 Corner protection profile
- 15 Self-drilling screw 4.2x13 FLAT HEAD in zigzag@500mm
- 16 MOLLY @ 500 mm metal dowel
- 17 NIDA Metal CW end profile
- 18 Self-tapping screw 212xL5 + flat washer @500mm
- 19 NIDA Metal UD30 end profile

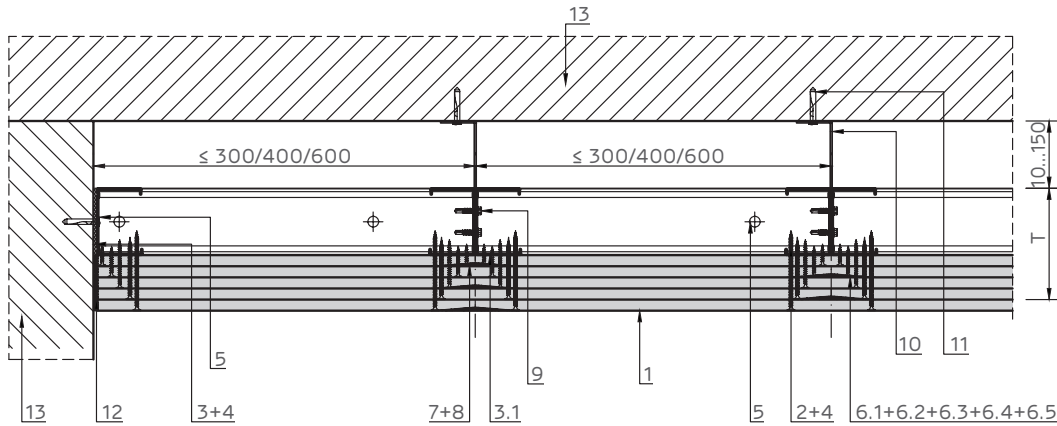
# NIDA System T.CW.F

NIDA System T.CW.F five-layer lining  
on NIDA Metal CW/UW structure, with intermediate fixing

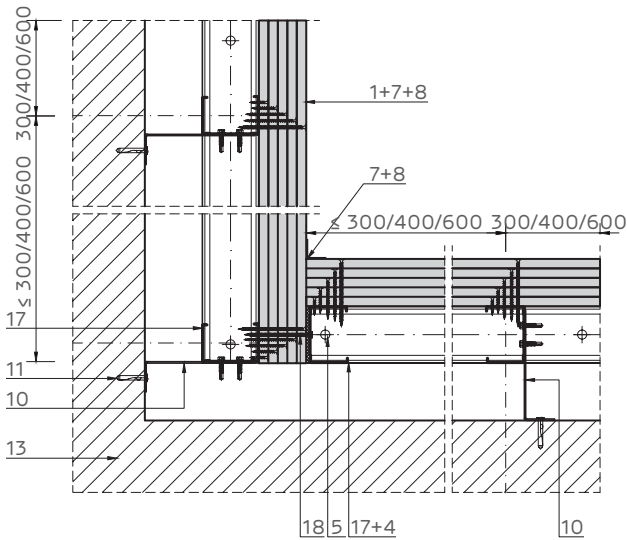
Attachment to stiff support. Horizontal section.



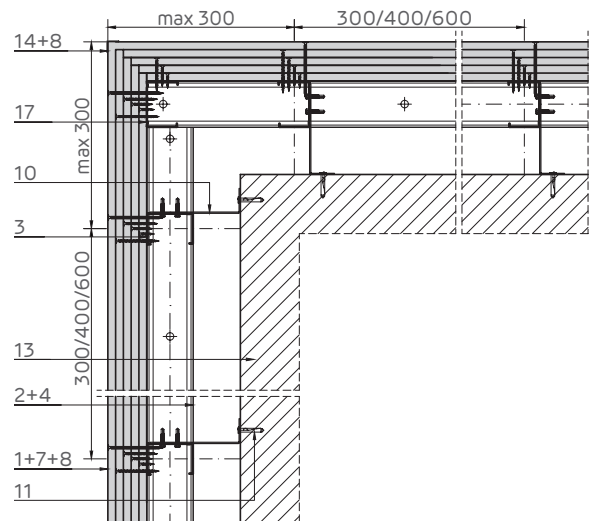
Attachment to stiff support.  
Horizontal section - double upright



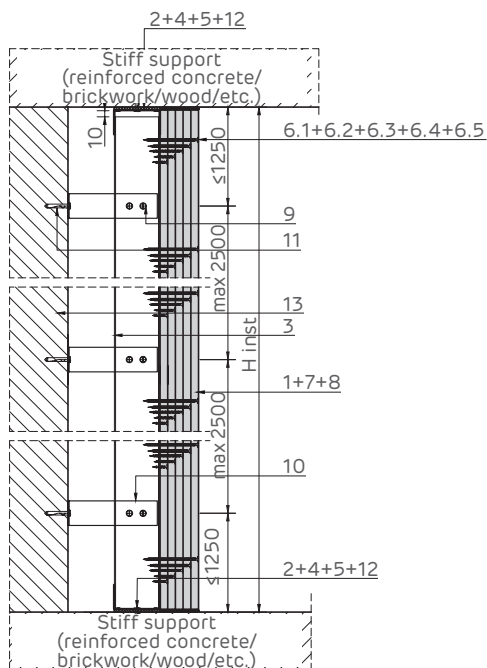
90° corner joint. Horizontal section.



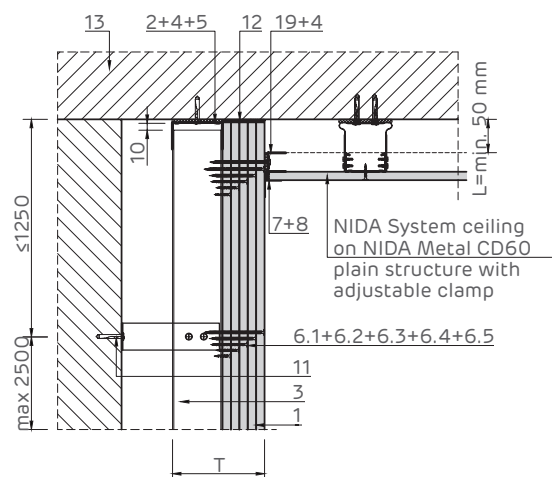
270° corner joint. Horizontal section.



Attachment to stiff support.  
Vertical section



Detailed crossing with suspended ceiling on plain structure with adjustable clamp.  
Vertical section

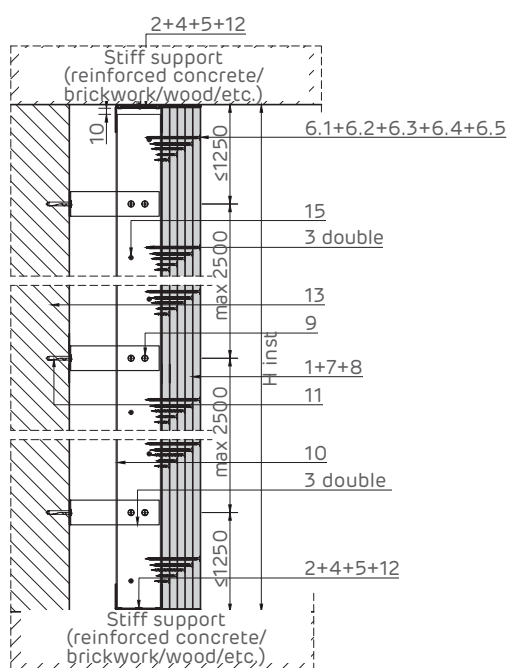


**NOTE:**

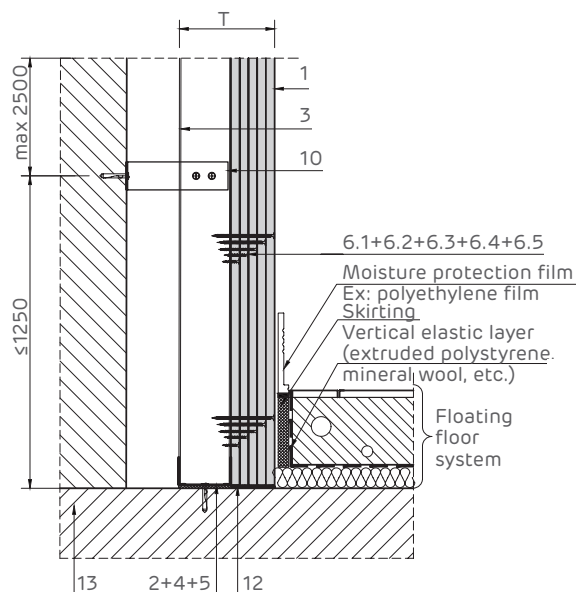
NIDA Metal UD runner profile may not be fixed to the wall structure in the plasterboard sliding area.

- 1 4x Siniat plasterboard
- 2 NIDA Metal UW runner profile
- 3 NIDA Metal CW stud
- 4 Single-sided sealing tape
- 5 Mechanical fixing - Max. pitch 500 mm (\*1)
- 6.1 Self-tapping screw 212xL1 @ 600
- 6.2 Self-tapping screw 212xL2 @ 600
- 6.3 Self-tapping screw 212xL3 @ 600
- 6.4 Self-tapping screw 212xL4 @ 300
- 7 Jointing tape (\*2)
- 8 NIDA Professional jointing plaster

Attachment to stiff support.  
Vertical section - double upright

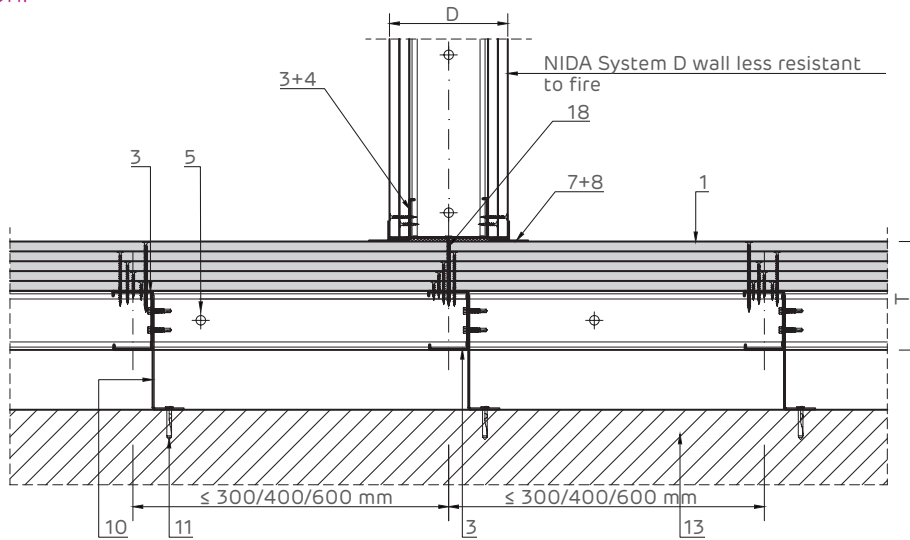


Detailed crossing with floating floor system.  
Vertical section at the bottom of the lining.  
For superior acoustic performance.

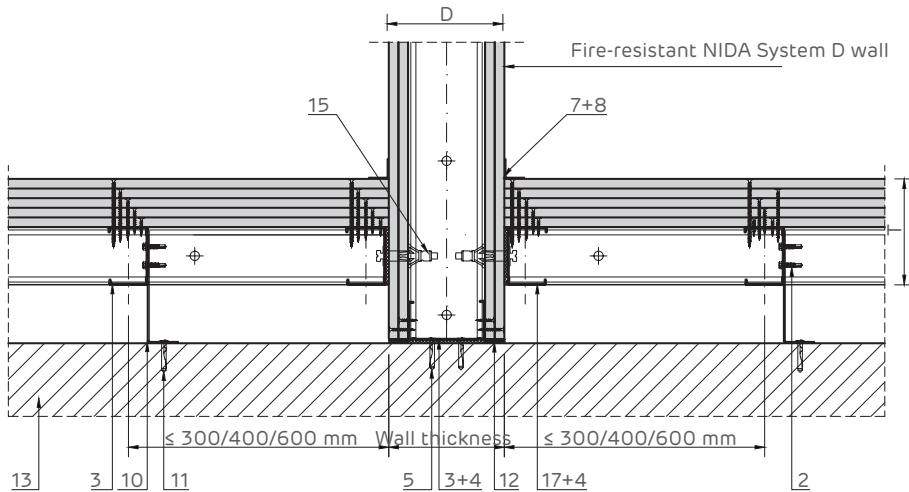


- 9 Self-drilling screw 5.5x25- 2 pcs/fastening
- 10 Corner iron 200x40x40x2 mm
- 11 Mechanical fixing (\*1) 1 pc/fastening
- 12 NIDA Boardfix
- 13 Stiff support (reinforced concrete/brickwork/wood/etc.)
- 14 Corner protection profile
- 15 Self-drilling screw 4.2x13 FLAT HEAD in zigzag@500mm
- 16 MOLLY @ 500 mm metal dowel
- 17 NIDA Metal CW end profile
- 18 Self-tapping screw 212xL5 + flat washer @500mm
- 19 NIDA Metal UD30 end profile

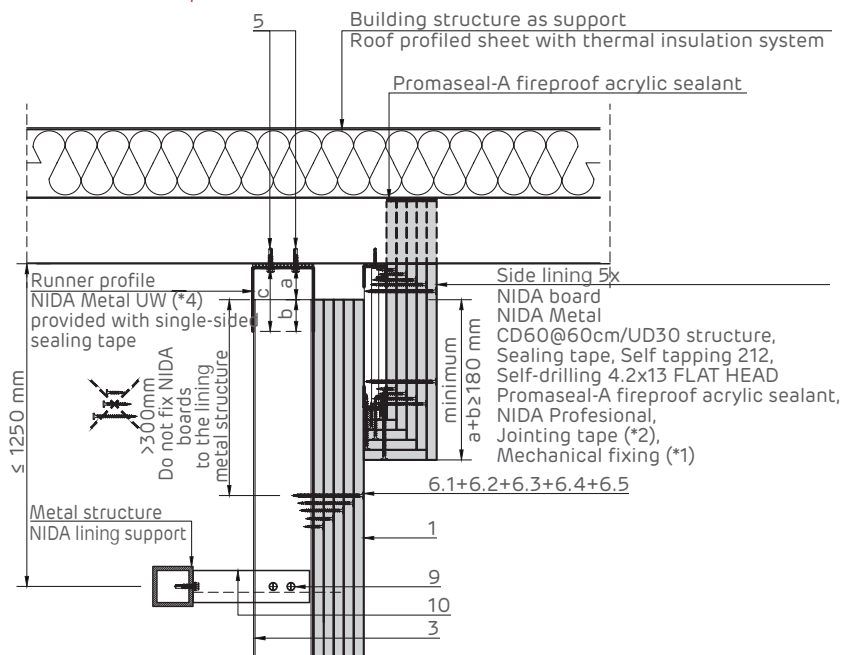
Crossing with D wall less resistant to fire  
Horizontal section.



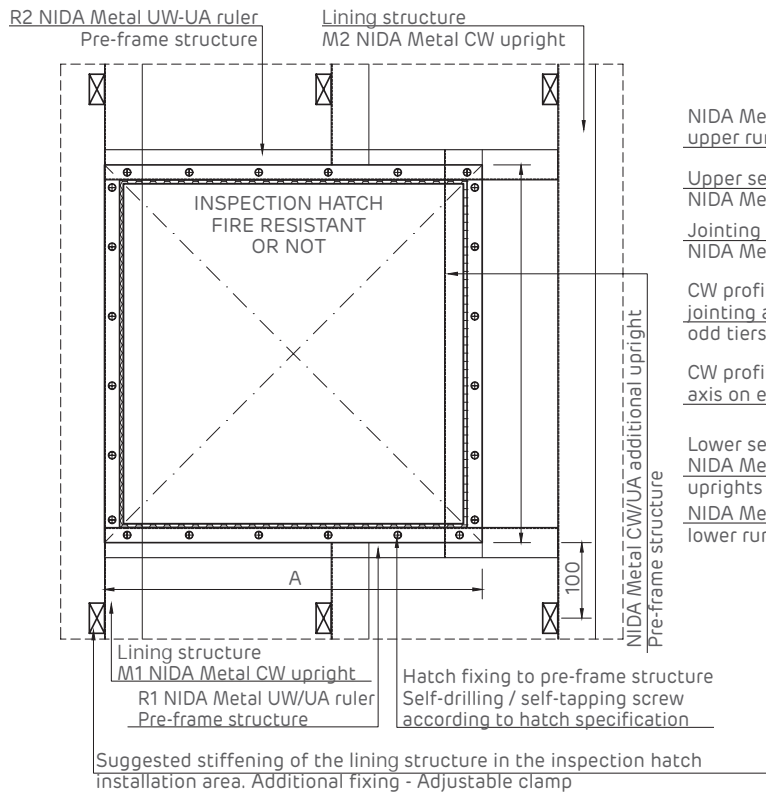
Crossing with D wall more resistant to fire. Horizontal section.



Detailed attachment at the top on the roof profiled sheet.  
System perpendicular to the profiles. Vertical section



Access hatch elevation.



NOTE (\*):

The pre-frame structure (Rulers R1, R2 + Uprights M1, M2) used for fixing the hatch will be sized according to the following points:

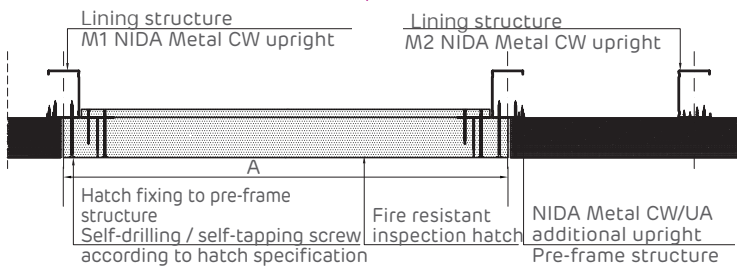
- Hatch sizes (A, B)
- Hatch weight
- Lining height and configuration

M1, M2 uprights design options: CW, CW - H, UA, UA - H, UA strong box type

R1, R2 rulers design options: UW, UW strong box type, UA strong box type

If the NIDA System lining is intended to be fire resistant from both directions, then the installed hatch shall also be fire resistant from both directions.

Horizontal section of the inspection hatch.

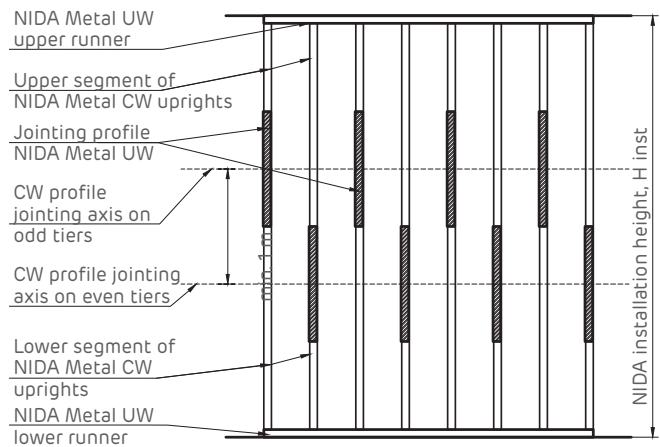


NOTE:

The detail presented is general in nature and focuses on the stiffening of the structure in the hatch installation area. It will be customised according to the model of hatch to be installed in the NIDA system

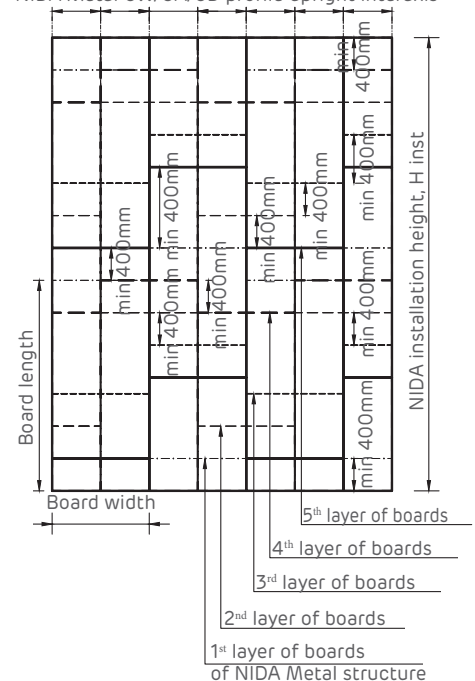
- |  |  |
|--|--|
| 1 5x Siniat plasterboard                     | 8 NIDA Professional jointing plaster                       |
| 2 NIDA Metal UW runner profile               | 9 Self-drilling screw 5.5x25- 2 pcs/fastening              |
| 3 NIDA Metal CW stud                         | 10 Corner iron 200x40x40x2 mm                              |
| 3.1 Double NIDA Metal CW-H upright profiles  | 11 Mechanical fixing (*1) 1 pc/fastening                   |
| 4 Single-sided sealing tape                  | 12 NIDA Boardfix   |
| 5 Mechanical fixing - Max. pitch 500 mm (*1) | 13 Stiff support (reinforced concrete/brickwork/wood/etc.) |
| 6.1 Self-tapping screw 212xL1 @ 600          | 14 Corner protection profile                               |
| 6.2 Self-tapping screw 212xL2 @ 600          | 15 Self-drilling screw 4.2x13 FLAT HEAD in zigzag@500mm    |
| 6.3 Self-tapping screw 212xL3 @ 600          | 16 MOLLY @ 500 mm metal dowel                              |
| 6.4 Self-tapping screw 212xL4 @ 600          | 17 NIDA Metal CW end profile                               |
| 6.5 Self-tapping screw 212xL5 @ 300          | 18 Self-tapping screw 212xL5 + flat washer @500mm          |
| 7 Jointing tape (*2)                         | 19 NIDA Metal UD30 end profile                             |

NIDA Metal CW profile joint staggering. System elevation.

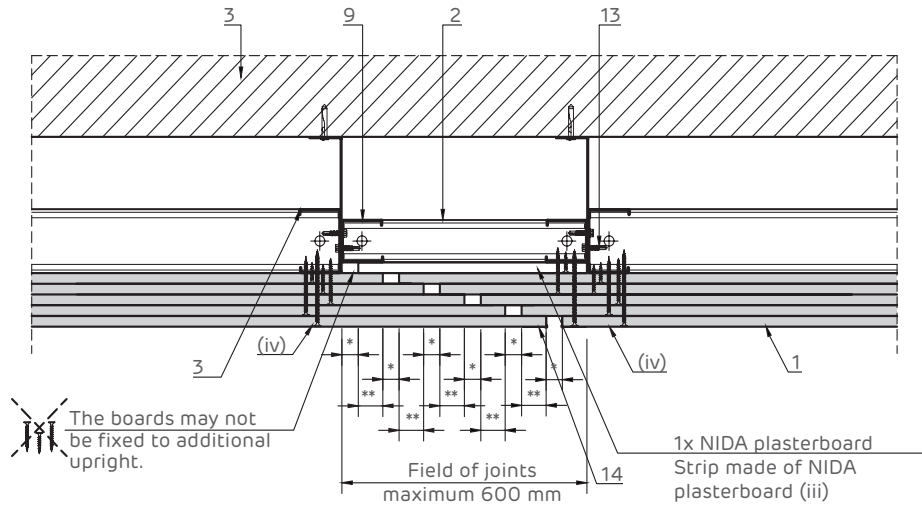


Board staggering. System elevation. Vertical and horizontal joints should be staggered to avoid overlap.

NIDA Metal CW/UA/CD profile upright interaxis

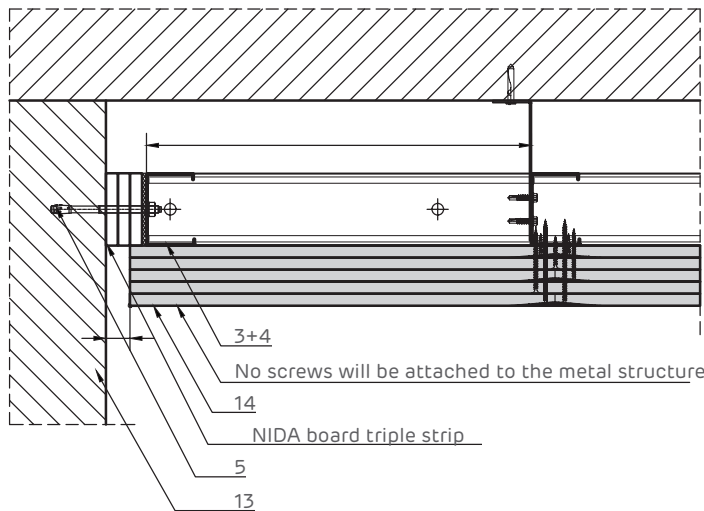


Expansion joint Horizontal section.

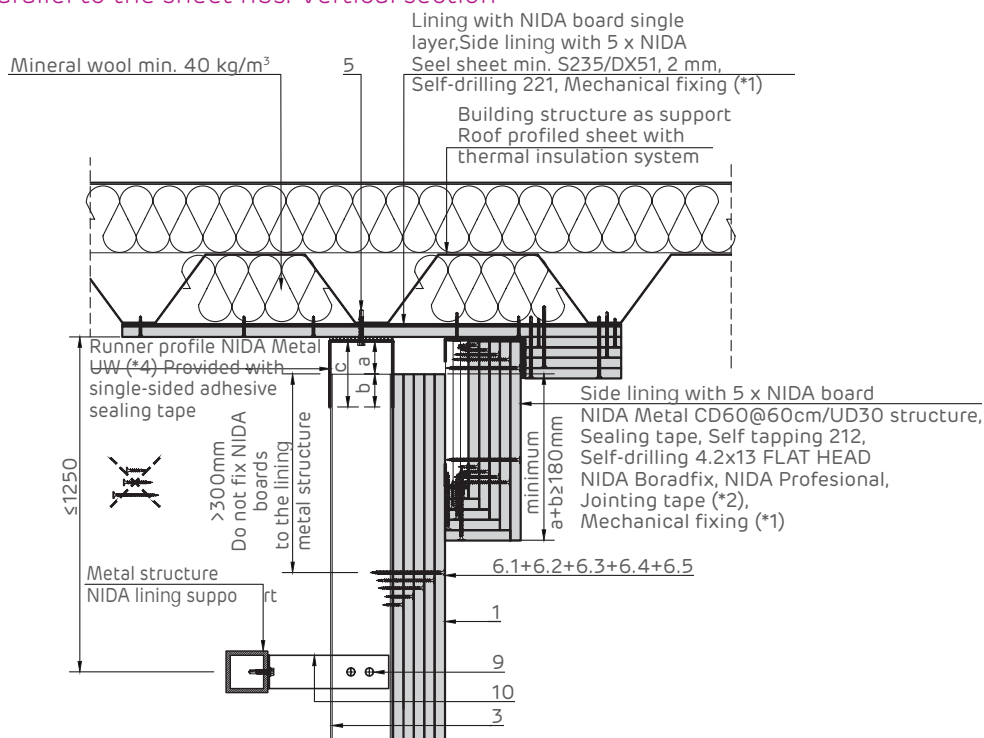


- NOTE:**
- (iv) For the last plasterboard layer, it is not acceptable to make a joint in front of the specified upright.
  - (v) In the case of lining longer than 15 m, a vertical joint should be made every 10 m of the system; The joint should also be placed in front of structural joints.
  - \* The size of the joint will also be determined by the size of the structural joint, but not less than 20 mm
  - \*\* The overlap of boards should have a minimum size of (\* + 10 mm)

Sliding joint with sturdy items. Horizontal section.

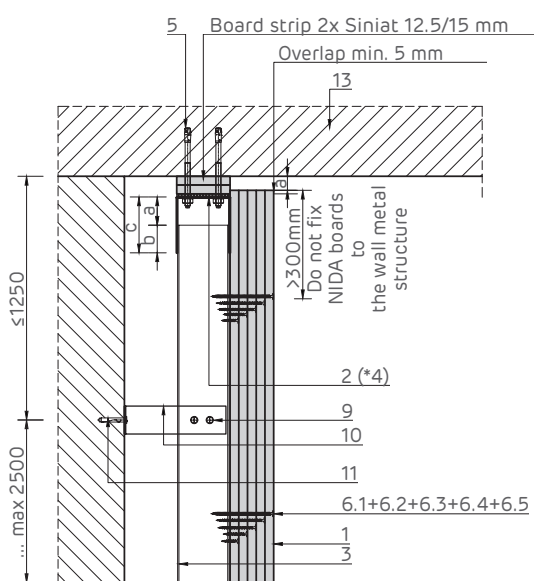


Detailed attachment at the top on the roof profiled sheet. System parallel to the sheet ribs. Vertical section

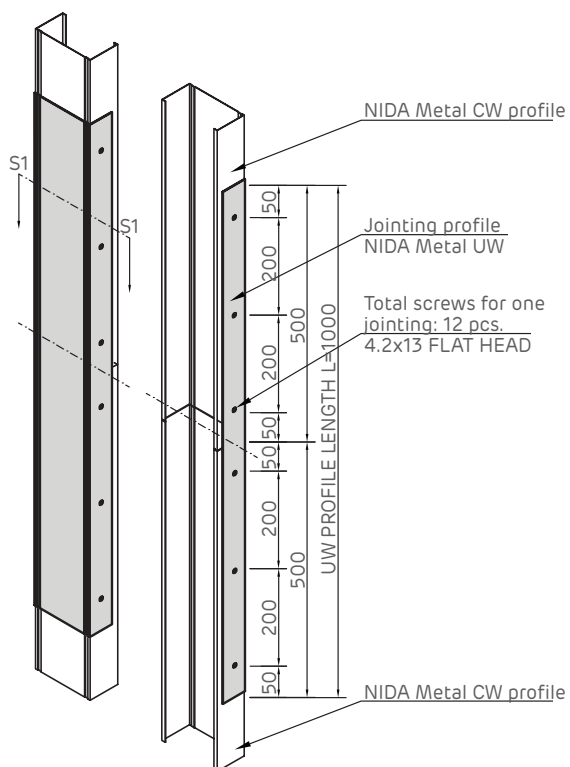




Sliding attachment detail at top on reinforced concrete members. Vertical section

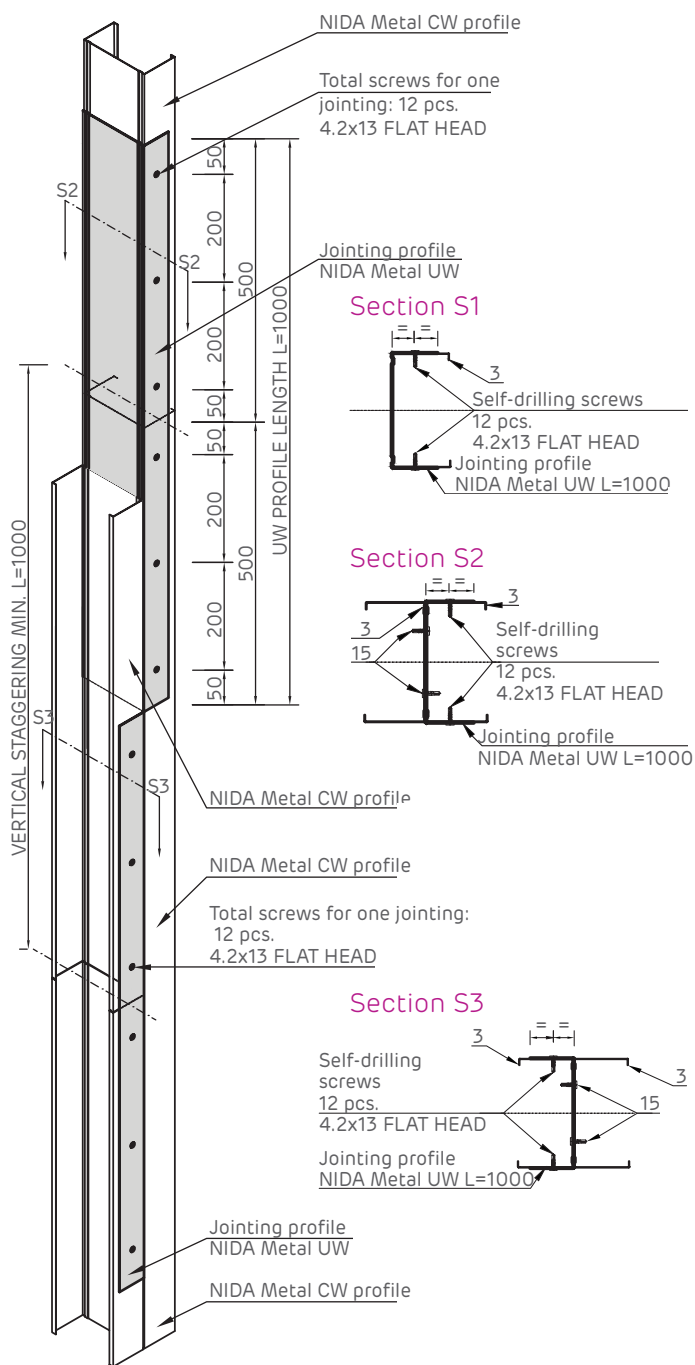


Joining detail of NIDA Metal CW single profiles.



- 1 5 x Siniat plasterboard
- 2 NIDA Metal UW runner profile
- 3 NIDA Metal CW stud
- 3.1 Double NIDA Metal CW-H upright profiles
- 4 Single-sided sealing tape
- 5 Mechanical fixing - Max. pitch 500 mm (\*1)
- 6.1 Self-tapping screw 212xL1 @ 600
- 6.2 Self-tapping screw 212xL2 @ 600
- 6.3 Self-tapping screw 212xL3 @ 600
- 6.4 Self-tapping screw 212xL4 @ 600
- 6.5 Self-tapping screw 212xL5 @ 300
- 7 Jointing tape (\*2)

Joining detail of NIDA Metal CW double profiles.

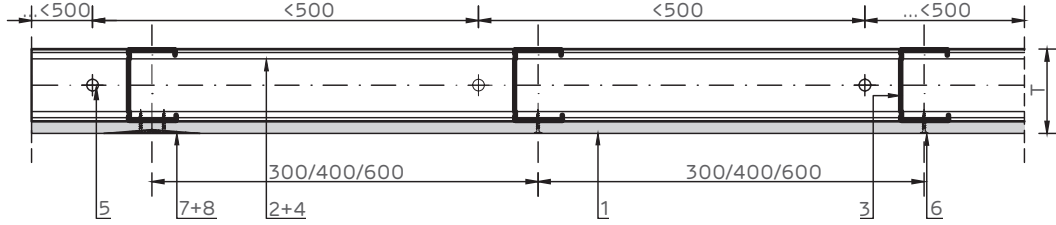


- 8 NIDA Professional jointing plaster
- 9 Self-drilling screw 5.5x25- 2 pcs/fastening
- 10 Corner iron 200x40x40x2 mm
- 11 Mechanical fixing (\*1) 1 pc/fastening
- 12 NIDA Boardfix
- 13 Stiff support (reinforced concrete/brickwork/wood/etc.)
- 14 Corner protection profile
- 15 Self-drilling screw 4.2x13 FLAT HEAD in zigzag@500mm
- 16 MOLLY @ 500 mm metal dowel
- 17 NIDA Metal CW end profile
- 18 Self-tapping screw 212xL5 + flat washer @500mm
- 19 NIDA Metal UD30 end profile

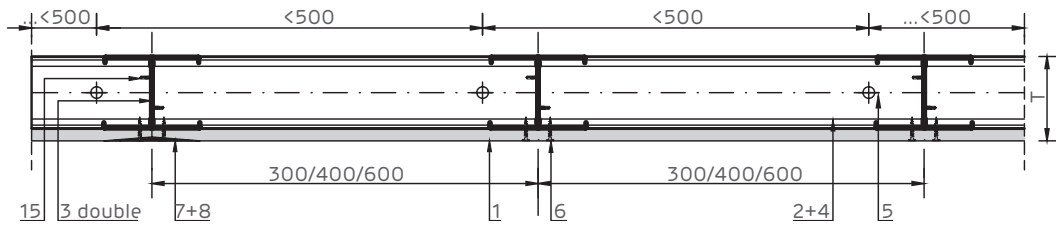
# NIDA System SH.CW.I

Shaft-walls with NIDA System SH.CW.I single-layer lining on NIDA Metal CW/UW independent support structure

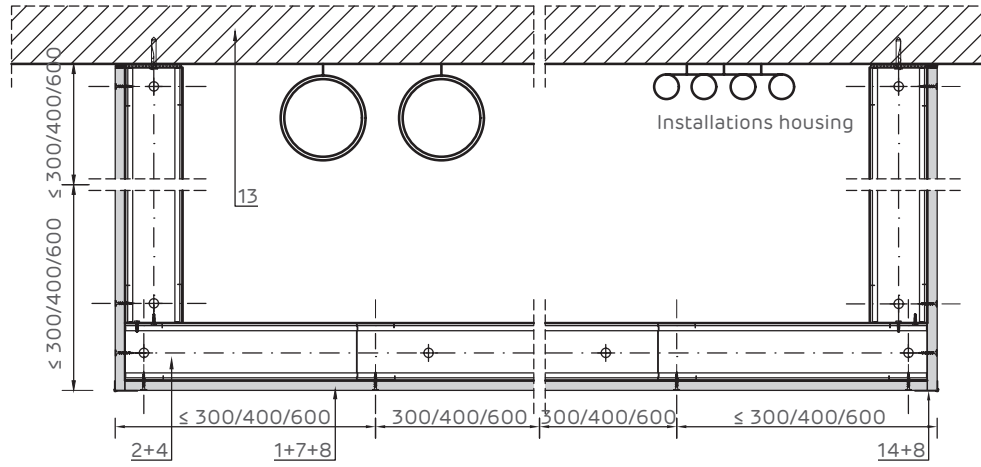
Single NIDA Metal CW upright Horizontal section.



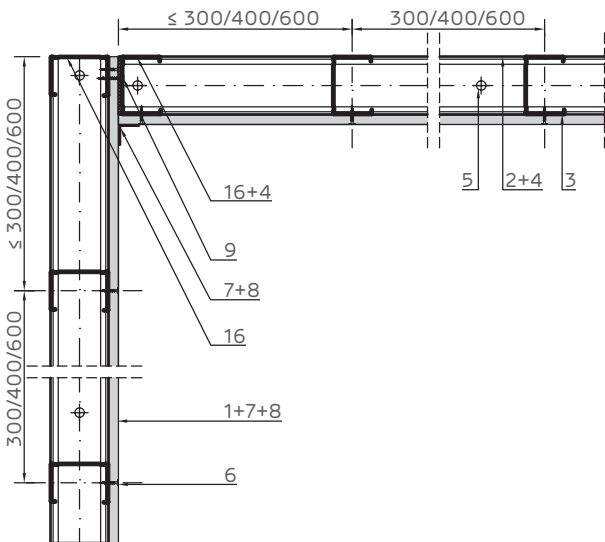
Double NIDA Metal CW upright Horizontal section.



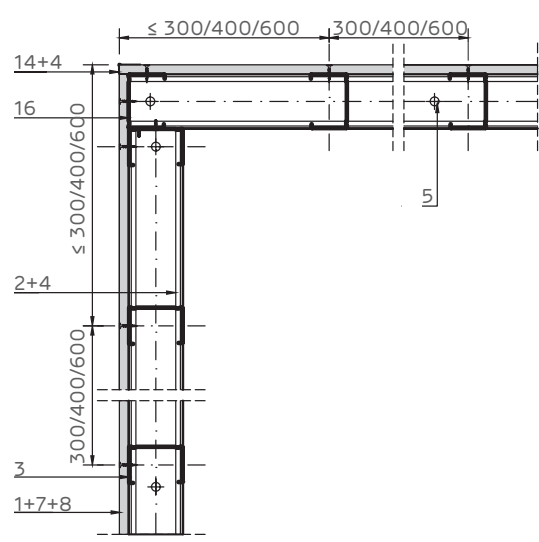
Three-sided enclosing of installations housing Horizontal section.



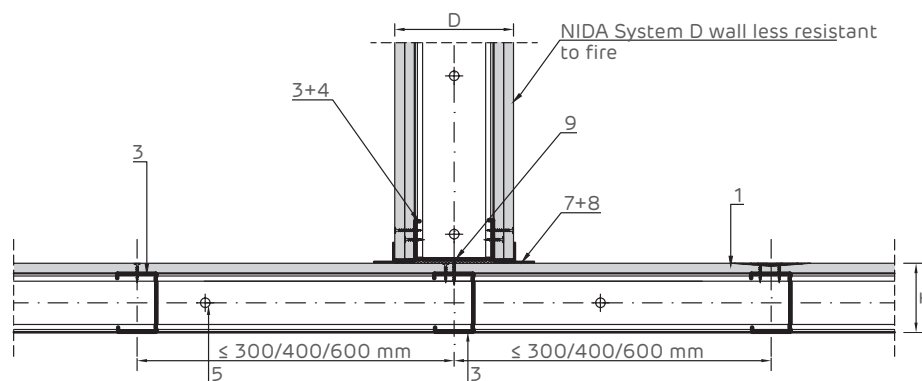
90° corner joint. Horizontal section.



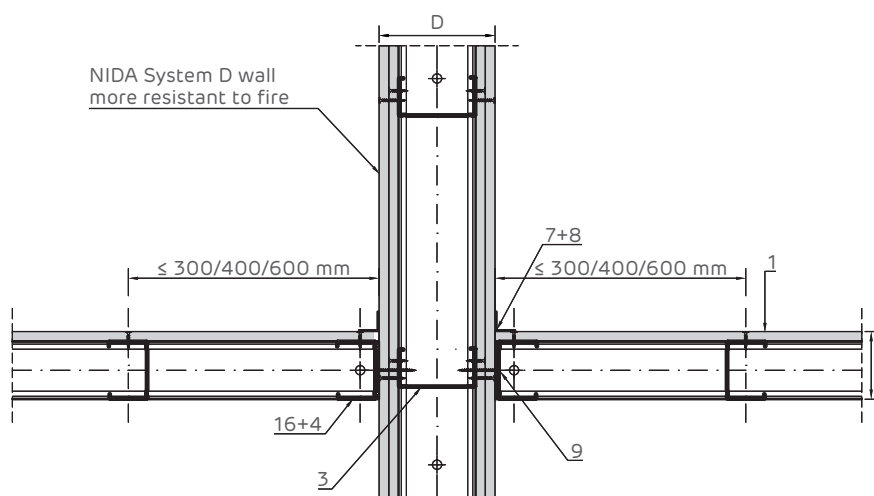
270° corner joint. Horizontal section.



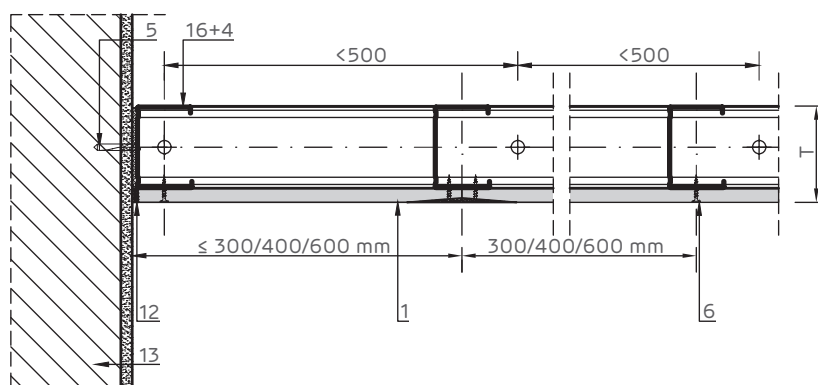
### Crossing with D wall less resistant to fire Horizontal section.



### Crossing with D wall more resistant to fire. Horizontal section.

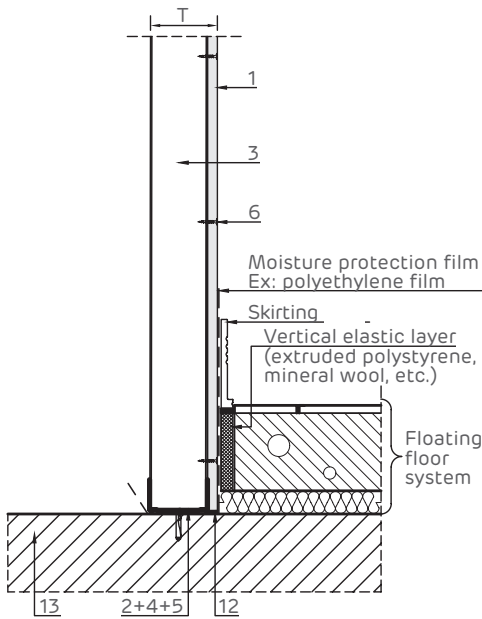


### Rigid jointing with sturdy item Horizontal section.

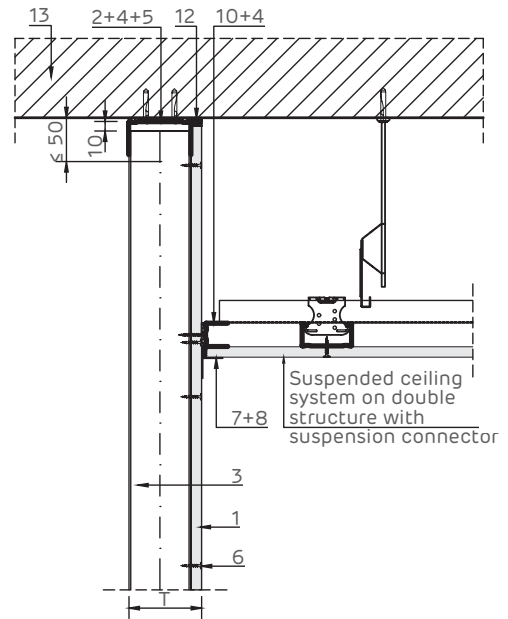


- |    |  |    |   |
|----|--|----|---|
| 1  | 1x Siniat plasterboard                         | 11 | Wooden item   |
| 2  | NIDA Metal UW runner profile                   | 12 | NIDA Boardfix   |
| 3  | NIDA Metal CW stud                             | 13 | Stiff support (reinforced concrete/brickwork/wood/etc.) |
| 4  | Single-sided sealing tape                      | 14 | Corner protection profile                               |
| 5  | Mechanical fixing - Max. pitch 500 mm (*1)     | 15 | Self-drilling screw 4.2x13 FLAT HEAD in zigzag@500mm    |
| 6  | Self-tapping screw 212xL1 @ 300                | 16 | NIDA Metal CW end profile                               |
| 7  | Jointing tape (*2)                             | 17 | NIDA Metal CW additional upright                        |
| 8  | NIDA Professional jointing plaster             | 18 | Strip made of Siniat plasterboards                      |
| 9  | Self-tapping screw 212xL2 + flat washer @500mm | 19 | Special NIDA Metal UW runner profile (*4)               |
| 10 | NIDA Metal UD30 end profile                    | 20 | NIDA Metal Cd@60cm profile                              |

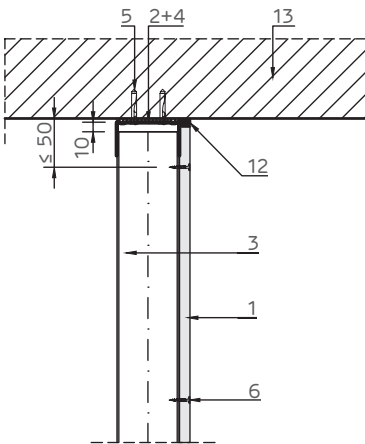
Detailed crossing with floating floor system.  
Vertical section at the bottom of the lining.  
For superior acoustic performance.



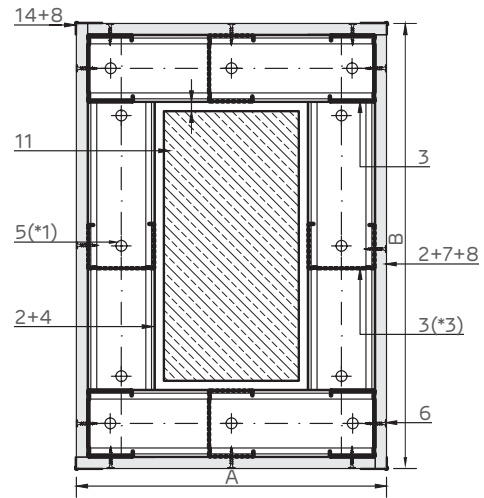
Detailed crossing with suspended ceiling on double structure with adjustable clamp.  
Vertical section



Detailed attachment at the top on reinforced concrete members.  
Installation height:  $H \le 5$  m.  
Vertical section.

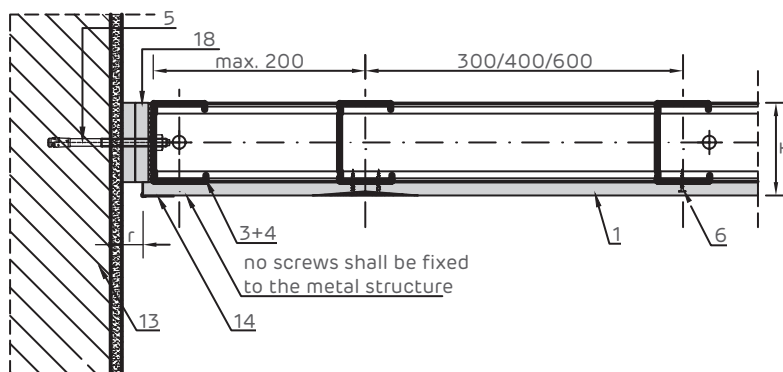


Lining of a wooden item  
Horizontal section.



**NOTE:**  
(\*1) A minimum of 3 fasteners should be fitted along NIDA Metal UD.  
(\*3) If the lining size (A/B) exceeds the maximum value of 600 mm, an additional upright (marked with a dotted line in the plan) should be placed.

Sliding joint with sturdy items.  
Horizontal section.

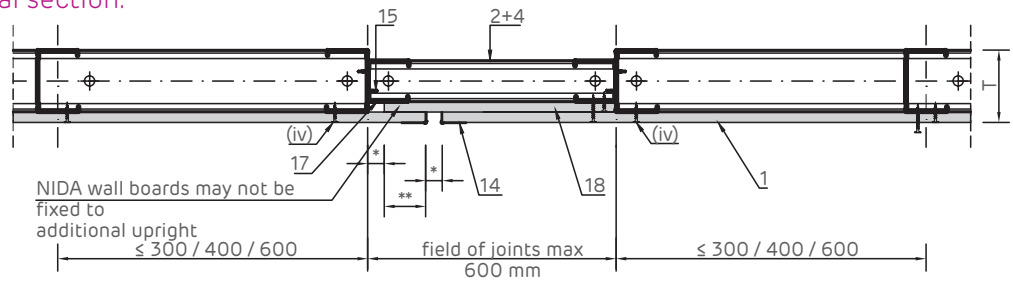


Joint (r) size:
20 mm for 2xSiniat 12.5 mm;
25 mm for 2x Siniat 15;
30 mm for 3x Siniat 12.5;
35 mm for 3x Siniat 15;
40 mm for 4x Siniat 12.5;
3+4 50 mm for 4x Siniat 15;

### Expansion joint Horizontal section.

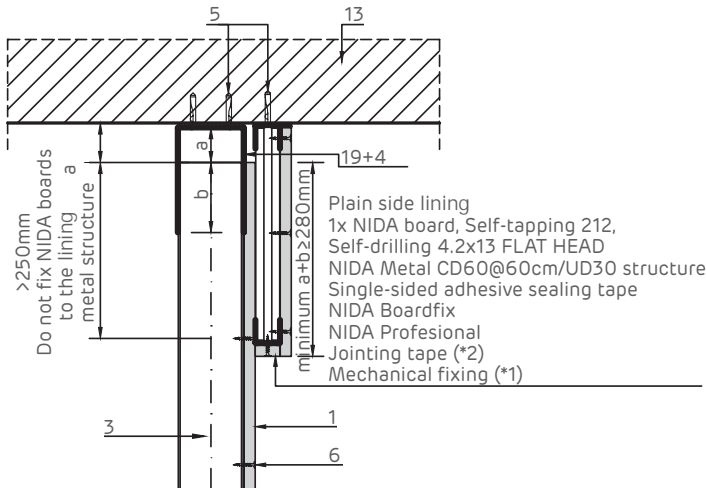
**NOTE:**

- (iv) For the last plasterboard layer, it is not acceptable to make a joint in front of the specified upright.
  - (v) In the case of lining longer than 15 m, a vertical joint should be made every 10 m of the system;
- The joint should also be placed in front of structural joints.

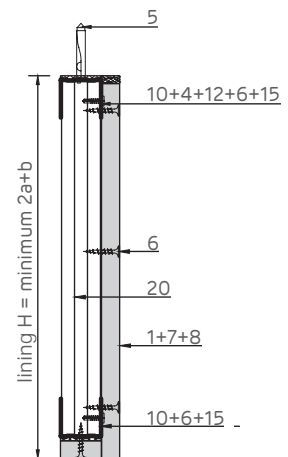


(\*) The size of the joint will also be determined by the size of the structural joint, but not less than 20 mm  
 (\*\*) The overlap of boards should have a minimum size of (\* + 10 mm)

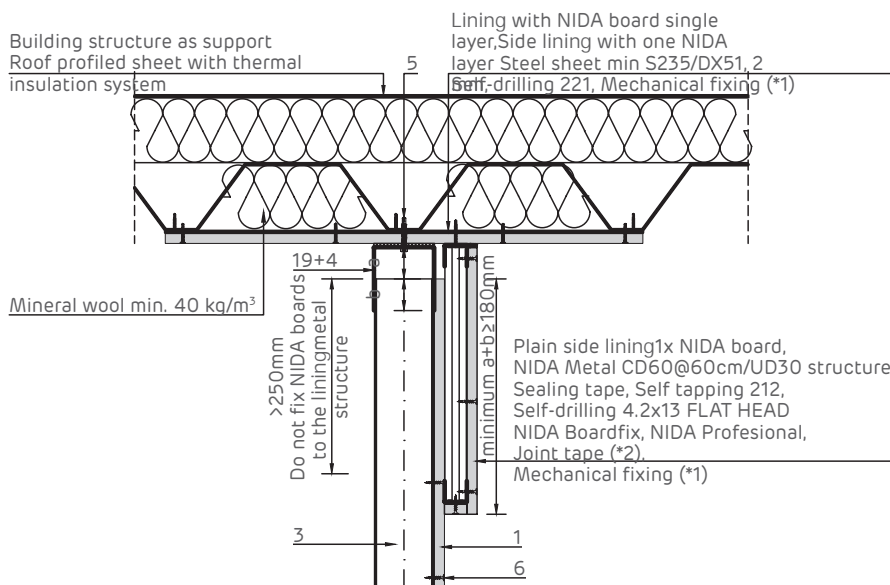
### Detailed attachment at the top on reinforced concrete members. Vertical section



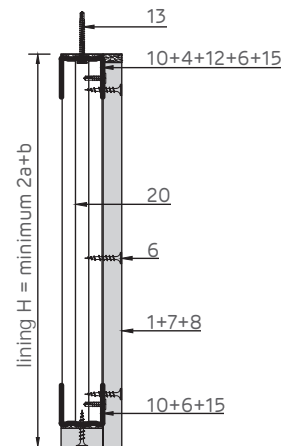
### Detail of plain side lining. Vertical section



### Detailed attachment at the top to the roof profiled sheet. Direct fixing. System parallel to the sheet ribs. Vertical section

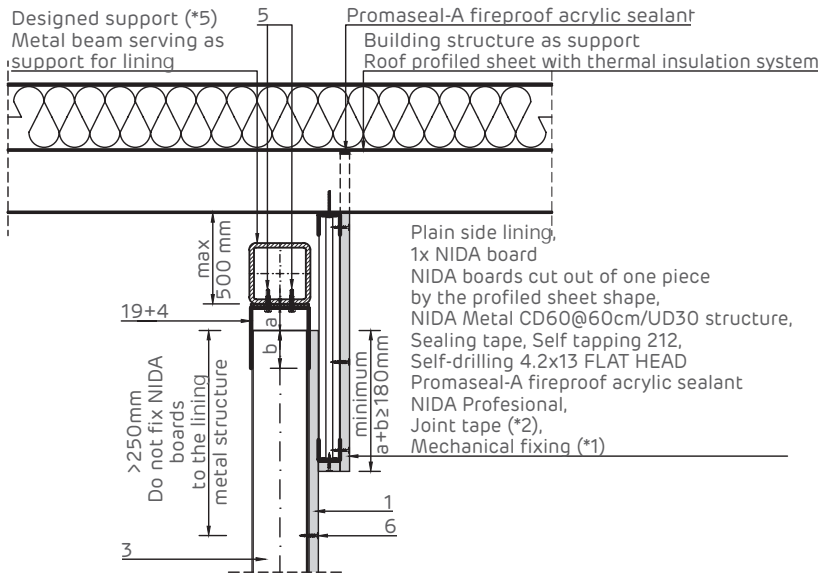


### Detail of single side lining. Vertical section

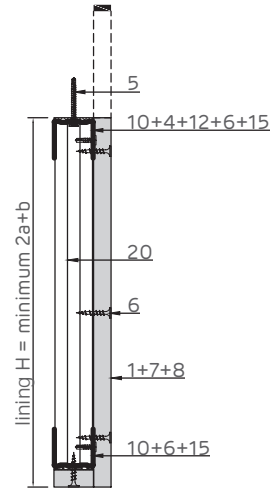


- |  |  |
|--|--|
| 1 1x Siniat plasterboard                         | 11 Wooden item   |
| 2 NIDA Metal UW runner profile                   | 12 NIDA Boardfix   |
| 3 NIDA Metal CW stud                             | 13 Stiff support (reinforced concrete/brickwork/wood/etc.) |
| 4 Single-sided sealing tape                      | 14 Corner protection profile                               |
| 5 Mechanical fixing - Max. pitch 500 mm (*1)     | 15 Self-drilling screw 4.2x13 FLAT HEAD in zigzag@500mm    |
| 6 Self-tapping screw 212xL1 @ 300                | 16 NIDA Metal CW end profile                               |
| 7 Jointing tape (*2)                             | 17 NIDA Metal CW additional upright                        |
| 8 NIDA Professional jointing plaster             | 18 Strip made of Siniat plasterboards                      |
| 9 Self-tapping screw 212xL2 + flat washer @500mm | 19 Special NIDA Metal UW runner profile (*4)               |
| 10 NIDA Metal UD30 end profile                   | 20 NIDA Metal Cd@60cm profile                              |

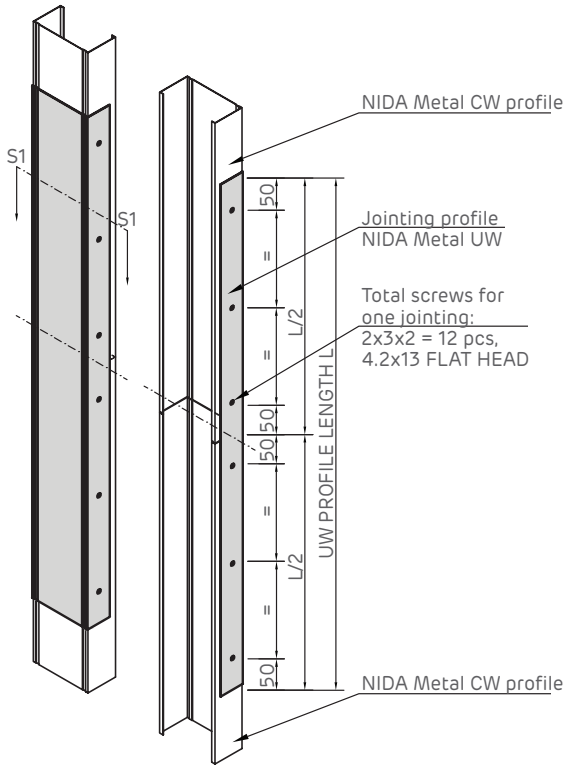
Detailed attachment at the top on the roof profiled sheet.  
Fixing on designed support (\*5). System perpendicular to the profiles. Vertical section



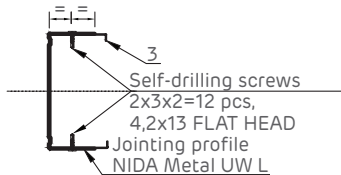
Detail of single side lining.  
Vertical section



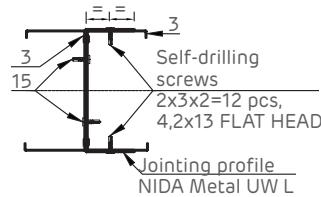
Jointing detail of NIDA Metal CW single profiles.



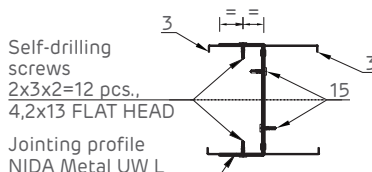
Section S1



Section S2

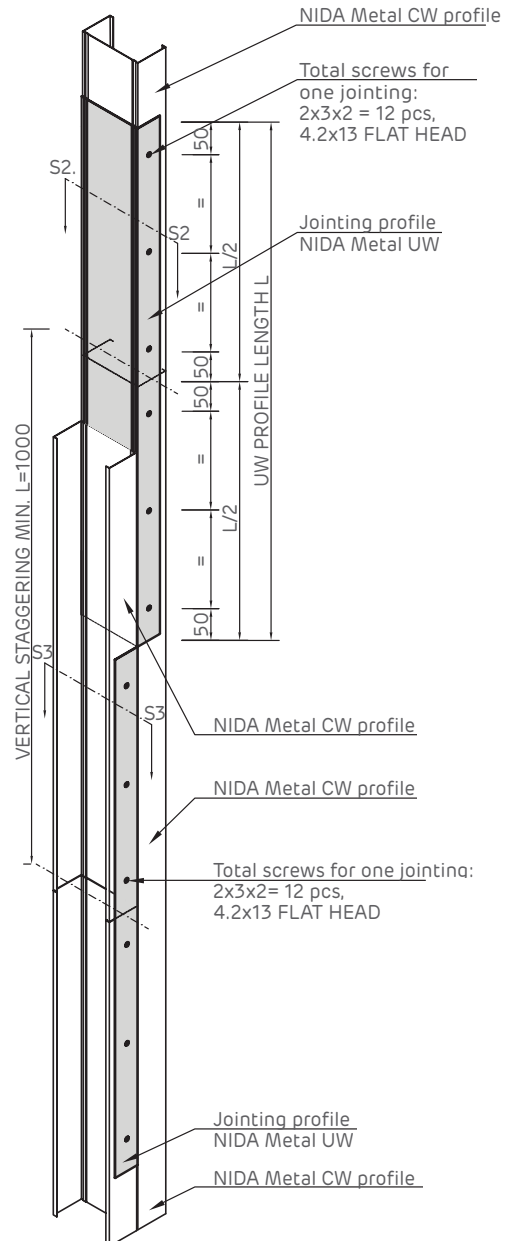


Section S3



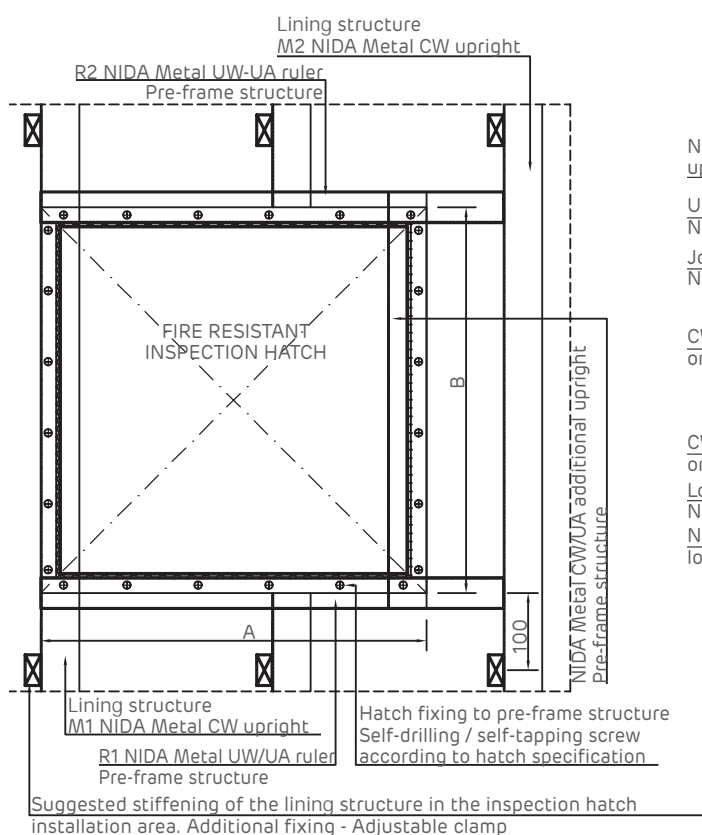
N°	NIDA Metal jointing profile	UW jointing profile length (mm)
1	UW 50	L=1000
2	UW 75	L=1500
3	UW 100	L=2000

Jointing detail of NIDA Metal CW double profiles.

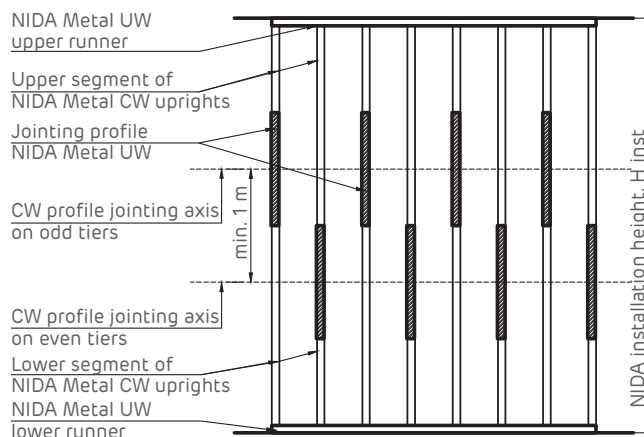




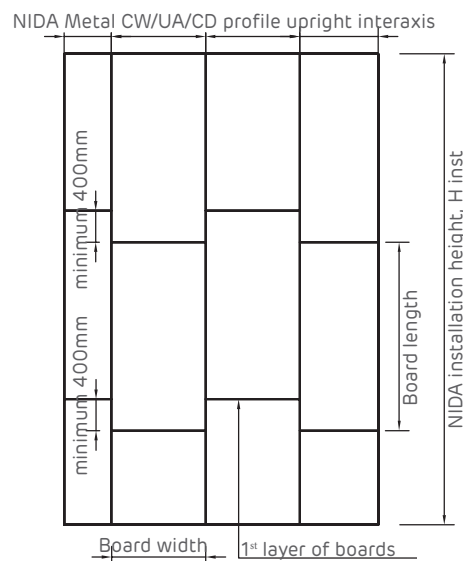
Access hatch elevation.



NIDA Metal CW profile joint staggering. System elevation.



Board staggering. System elevation. Vertical and horizontal joints should be staggered to avoid overlap.



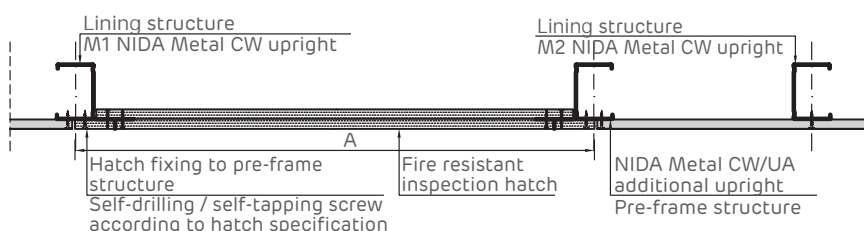
NOTE (\*):

The pre-frame structure (Rulers R1, R2 + Uprights M1, M2) used for fixing the hatch will be sized according to the following points:

- Hatch sizes (A, B)
- Hatch weight
- Lining height and configuration

M1, M2 uprights design options: CW, CW - H, UA, UA - H, UA strong box type  
 R1, R2 rulers design options: UW, UW strong box type, UA strong box type  
 If the NIDA System lining is intended to be fire resistant from both directions, then the installed hatch shall also be fire resistant from both directions.

Horizontal section of the inspection hatch.



NOTE:

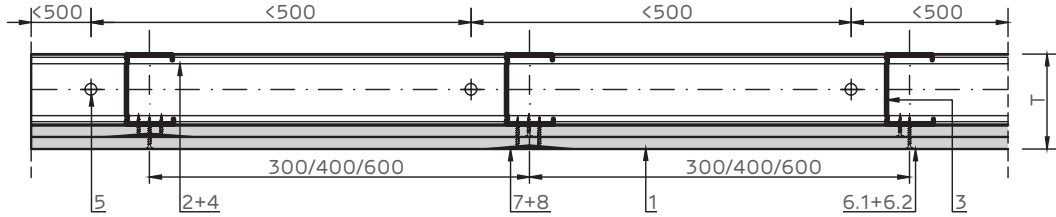
The detail presented is general in nature and focuses on the stiffening of the structure in the hatch installation area. It will be customised according to the model of hatch to be installed in the NIDA system

- 1 1x Siniat plasterboard
- 2 NIDA Metal UW runner profile
- 3 NIDA Metal CW stud
- 4 Single-sided sealing tape
- 5 Mechanical fixing - Max. pitch 500 mm (\*1)
- 6 Self-tapping screw 212xL1 @ 300
- 7 Jointing tape (\*2)
- 8 NIDA Professional jointing plaster
- 9 Self-tapping screw 212xL2 + flat washer @500mm
- 10 NIDA Metal UD30 end profile
- 11 Wooden item
- 12 NIDA Boardfix
- 13 Stiff support (reinforced concrete/brickwork/wood/etc.)
- 14 Corner protection profile
- 15 Self-drilling screw 4.2x13 FLAT HEAD in zigzag@500mm
- 16 NIDA Metal CW end profile
- 17 NIDA Metal CW additional upright
- 18 Strip made of Siniat plasterboards
- 19 Special NIDA Metal UW runner profile (\*4)
- 20 NIDA Metal Cd@60cm profile

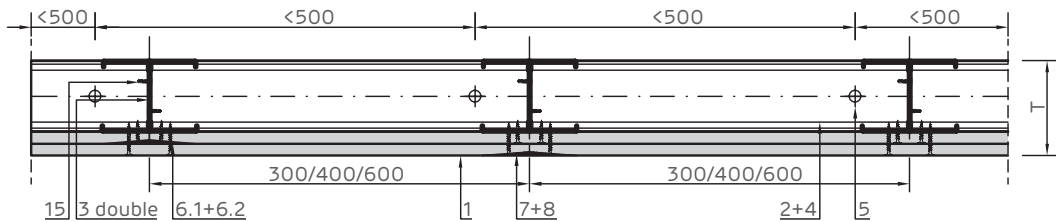
# NIDA System SH.CW.I

Shaft-walls with NIDA System SH.CW.I double-layer lining on NIDA Metal CW/UW independent support structure

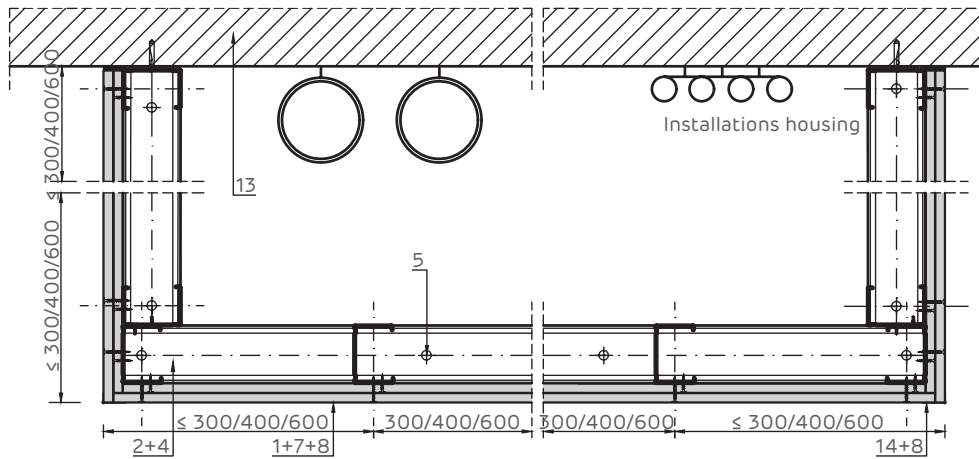
Single NIDA Metal CW upright Horizontal section.



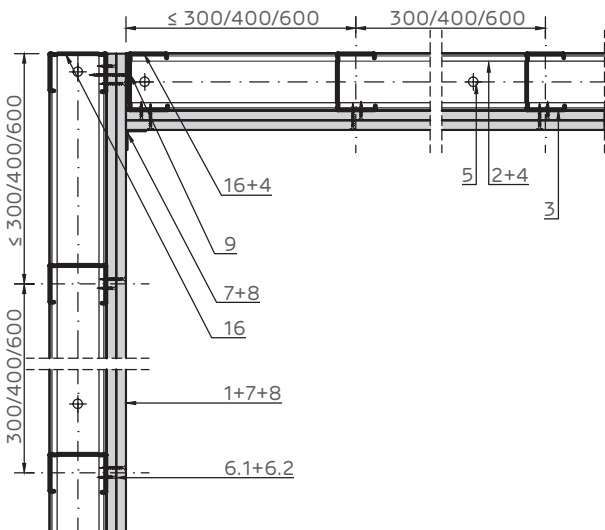
Double NIDA Metal CW upright Horizontal section.



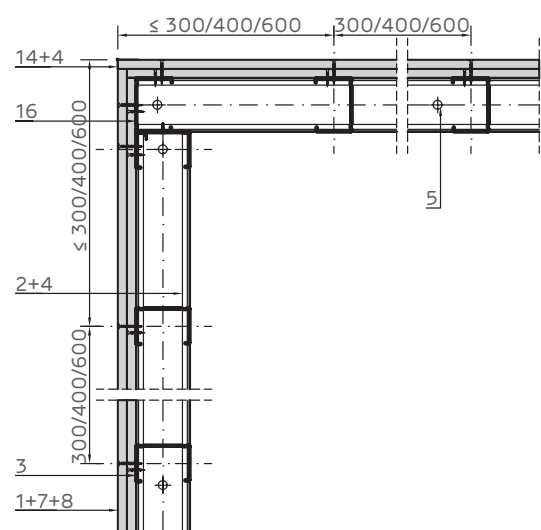
Three-sided enclosing of installations housing Horizontal section.



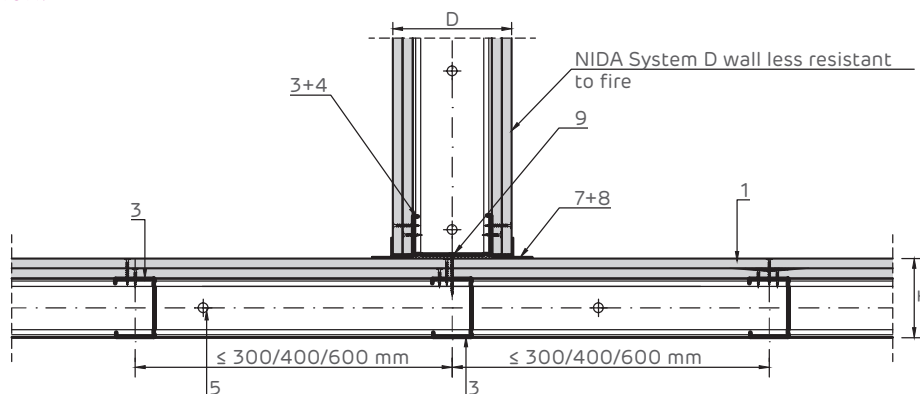
90° corner joint. Horizontal section.



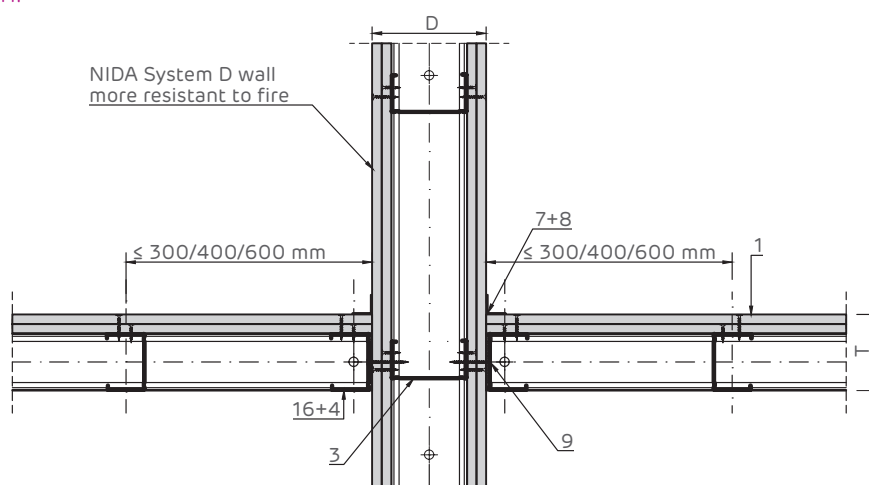
270° corner joint. Horizontal section.



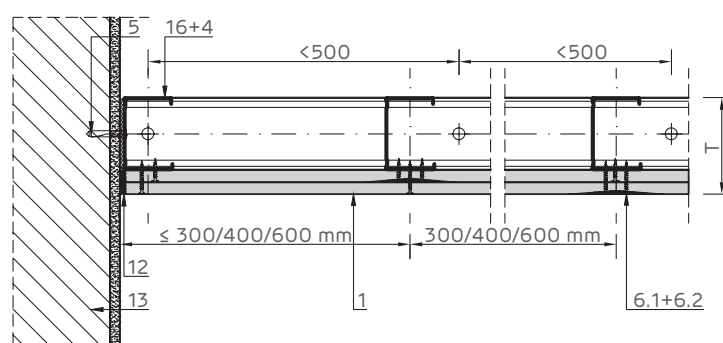
Crossing with D wall less resistant to fire  
Horizontal section.



Crossing with D wall more resistant to fire  
Horizontal section.

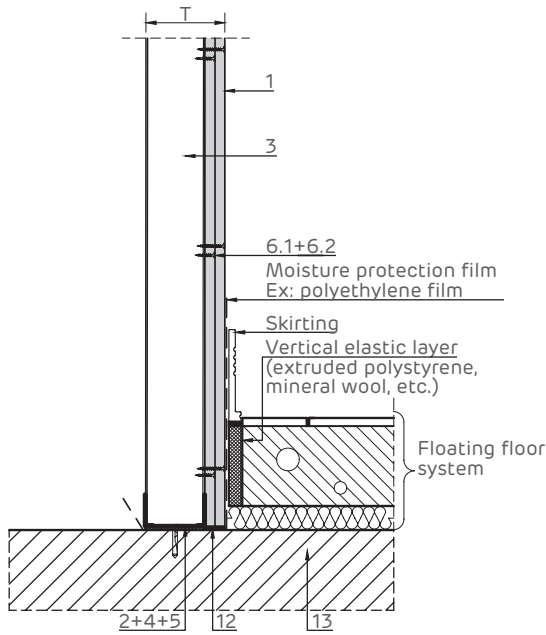


Rigid jointing with sturdy item  
Horizontal section.

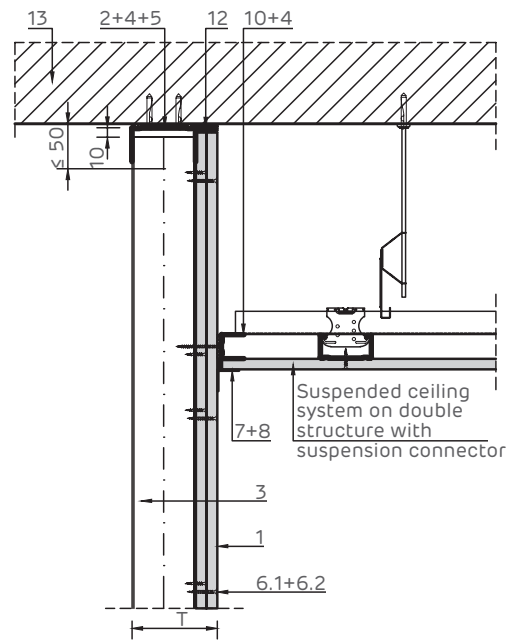


- |  |   |
|--|---|
| ① 2x Siniat plasterboard                         | ⑪ Wooden item   |
| ② NIDA Metal UW runner profile                   | ⑫ NIDA Boardfix   |
| ③ NIDA Metal CW stud                             | ⑬ Stiff support (reinforced concrete/brickwork/wood/etc.) |
| ④ Single-sided sealing tape                      | ⑭ Corner protection profile                               |
| ⑤ Mechanical fixing - Max. pitch 500 mm (*1)     | ⑮ Self-drilling screw 4.2x13 FLAT HEAD in zigzag@500mm    |
| ⑥.1 Self-tapping screw 212xL1 @ 600              | ⑯ NIDA Metal CW end profile                               |
| ⑥.2 Self-tapping screw 212xL2 @ 300              | ⑰ NIDA Metal CW additional upright                        |
| ⑦ Jointing tape (*2)                             | ⑱ Strip made of Siniat plasterboards                      |
| ⑧ NIDA Professional jointing plaster             | ⑲ Special NIDA Metal UW runner profile (*4)               |
| ⑨ Self-tapping screw 212xL3 + flat washer @500mm | ⑳ NIDA Metal Cd@60cm profile                              |
| ⑩ NIDA Metal UD30 end profile                    |   |

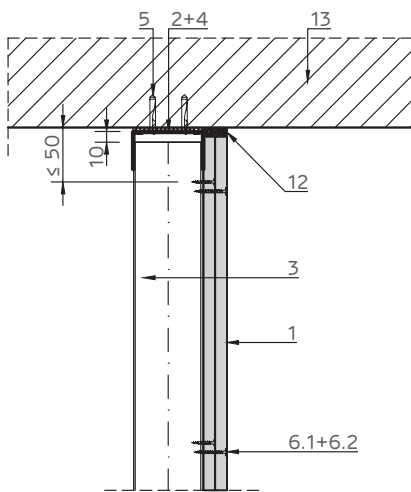
Detailed crossing with floating floor system.  
Vertical section at the bottom of the lining.  
For superior acoustic performance.



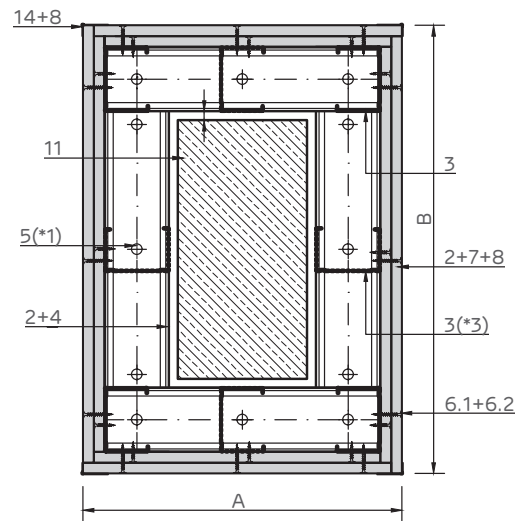
Detailed crossing with suspended ceiling on double structure with suspension connector.  
Vertical section



Detailed attachment at the top on reinforced concrete members.  
Installation height:  $H \leq 5$  m.  
Vertical section.



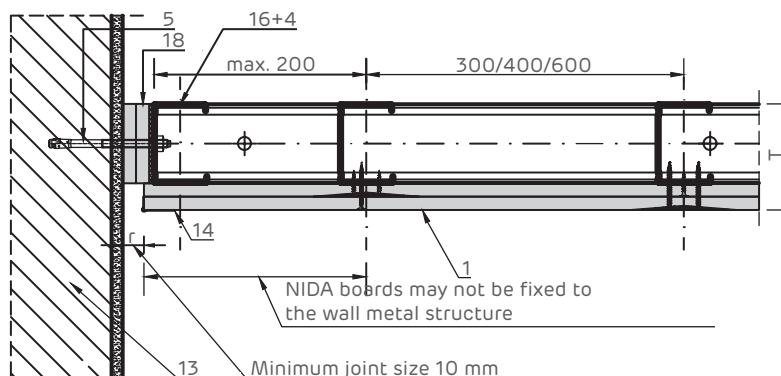
Lining of a wooden item  
Horizontal section.



**NOTE:**

(\*1) A minimum of 3 fasteners should be fitted along NIDA Metal UD.  
(\*3) If the lining size (A/B) exceeds the maximum value of 600 mm, an additional upright (marked with a dotted line in the plan) should be placed.

Sliding joint with sturdy items.  
Horizontal section.



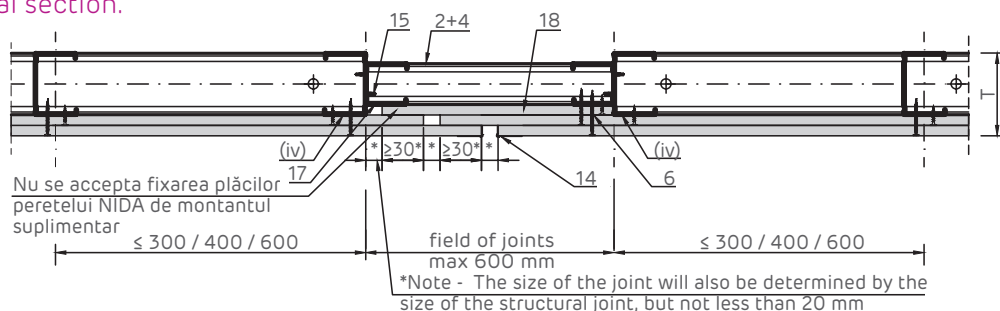
### Expansion joint Horizontal section.

**NOTE:**

(iv) For the last plasterboard layer, it is not acceptable to make a joint in front of the specified upright.

(v) In the case of lining longer than 15 m, a vertical joint should be made every 10 m of the system;

The joint should also be placed in front of structural joints.

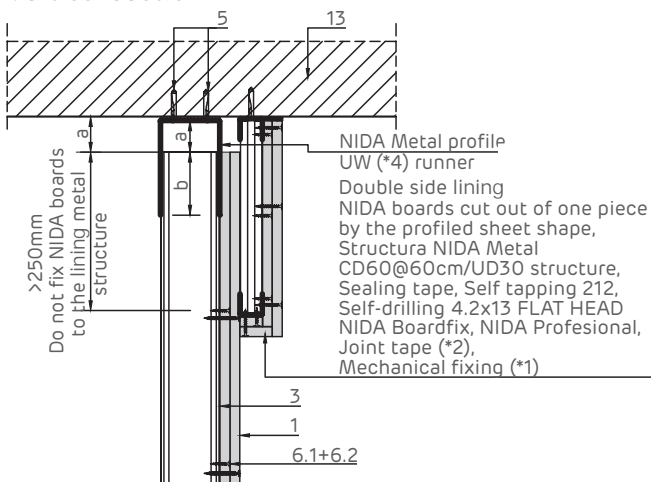


(\*) The size of the joint will also be determined by the size of the structural joint, but not less than 20 mm

(\*\*) The overlap of boards should have a minimum size of (\* + 10 mm)

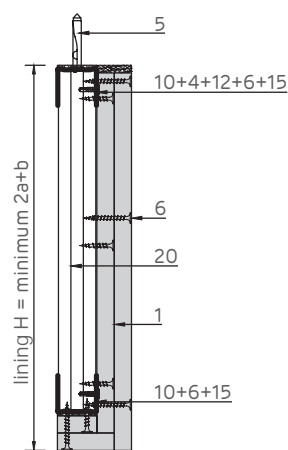
### Detailed attachment at the top on reinforced concrete members.

#### Vertical section



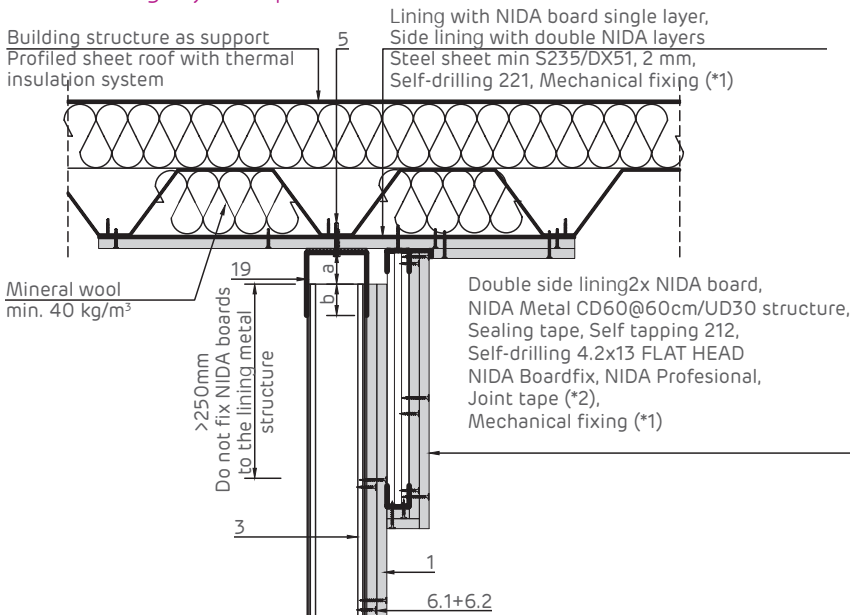
### Detail of double side lining.

#### Vertical section



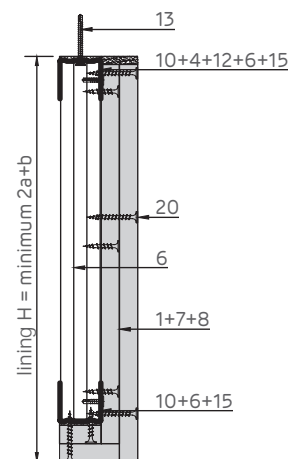
### Detailed attachment at the top to the roof profiled sheet.

#### Direct fixing. System parallel to the sheet ribs. Vertical section



### Detail of double side lining.

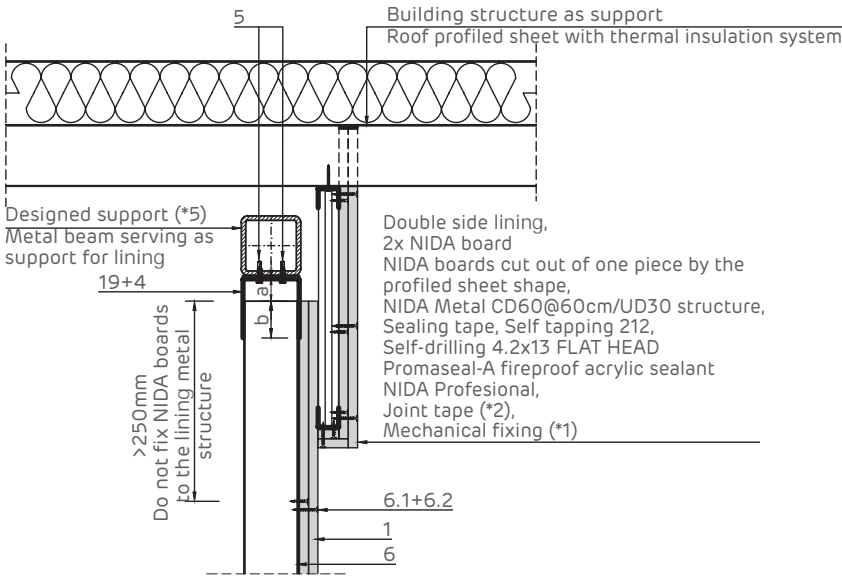
#### Vertical section



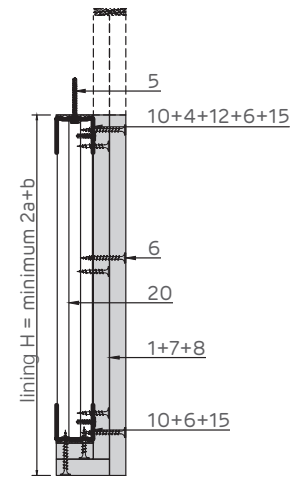
- 1 2x Siniat plasterboard
- 2 NIDA Metal UW runner profile
- 3 NIDA Metal CW stud
- 4 Single-sided sealing tape
- 5 Mechanical fixing - Max. pitch 500 mm (\*1)
- 6.1 Self-tapping screw 212xL1 @ 600
- 6.2 Self-tapping screw 212xL2 @ 300
- 7 Jointing tape (\*2)
- 8 NIDA Professional jointing plaster
- 9 Self-tapping screw 212xL3 + flat washer @500mm
- 10 NIDA Metal UD30 end profile

- 11 Wooden item
- 12 NIDA Boardfix
- 13 Stiff support (reinforced concrete/brickwork/wood/etc.)
- 14 Corner protection profile
- 15 Self-drilling screw 4.2x13 FLAT HEAD in zigzag@500mm
- 16 NIDA Metal CW end profile
- 17 NIDA Metal CW additional upright
- 18 Strip made of Siniat plasterboards
- 19 Special NIDA Metal UW runner profile (\*4)
- 20 NIDA Metal Cd@60cm profile

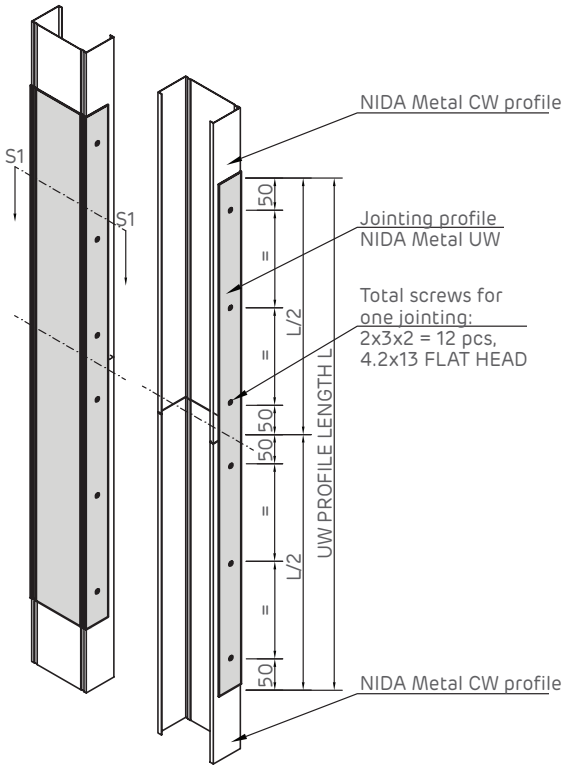
Detailed attachment at the top on the roof profiled sheet.  
 Fixing on designed support (\*5). System perpendicular to the profiles. Vertical section



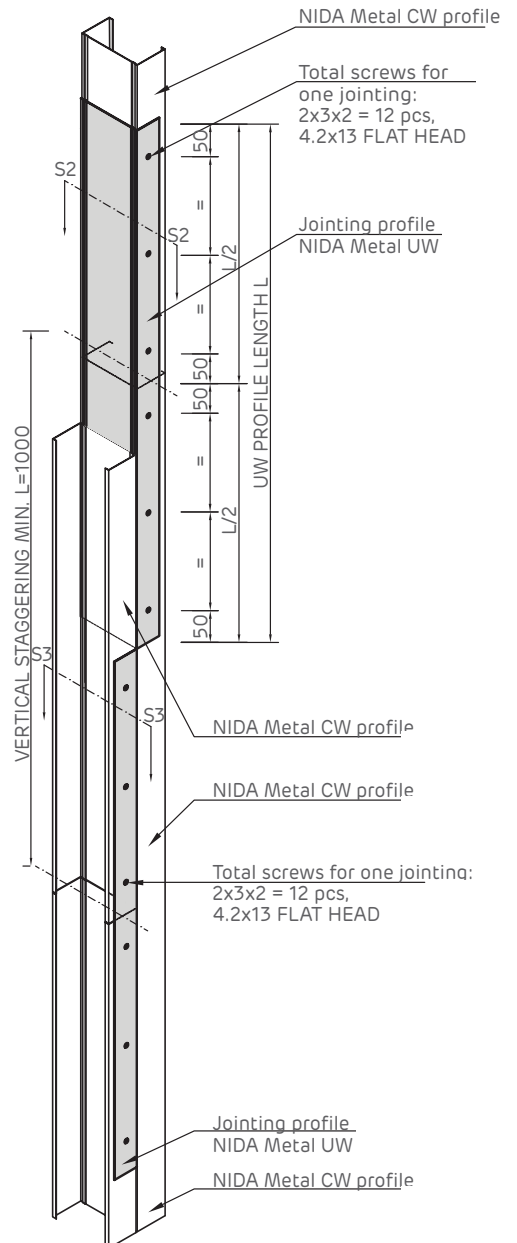
Detail of double side lining.  
 Vertical section



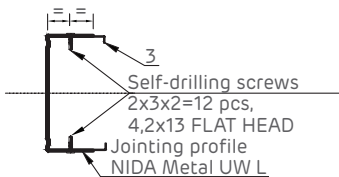
Jointing detail of NIDA Metal CW single profiles.



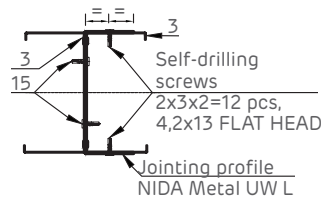
Jointing detail of NIDA Metal CW double profiles.



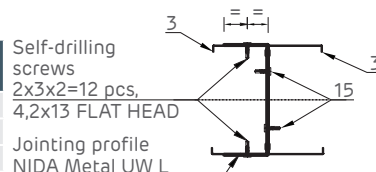
Section S1



Section S2



Section S3

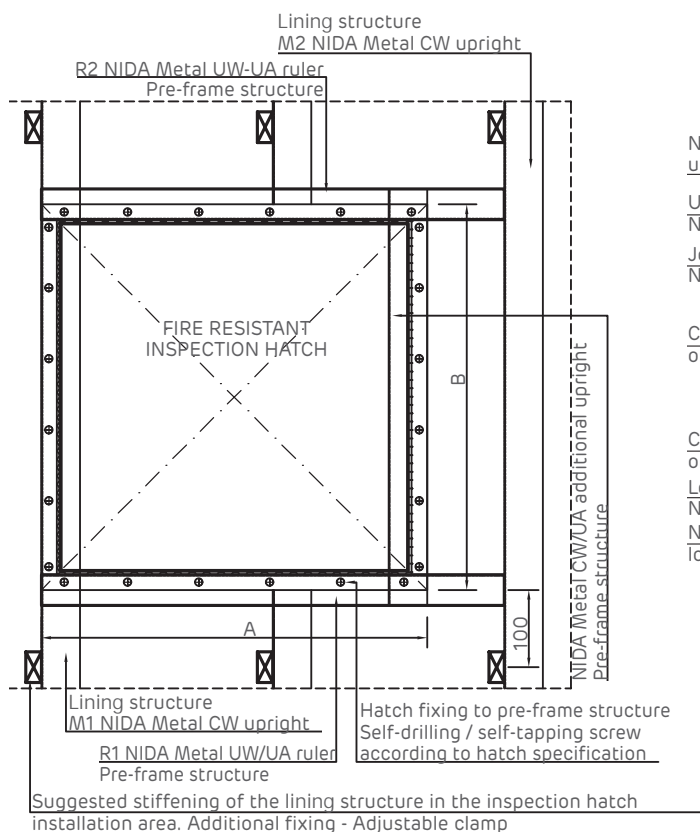


N°	NIDA Metal jointing profile	UW jointing profile length (mm)
1	UW 50	L=1000
2	UW 75	L=1500
3	UW 100	L=2000





## Access hatch elevation.

**NOTE (\*):**

The pre-frame structure (Rulers R1, R2 + Uprights M1, M2) used for fixing the hatch will be sized according to the following points:

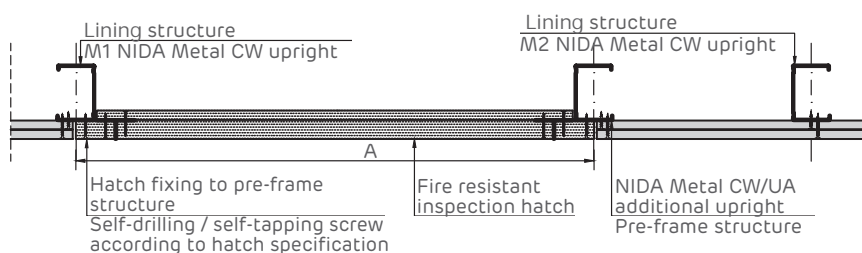
- Hatch sizes (A, B)
- Hatch weight
- Lining height and configuration

M1, M2 uprights design options: CW, CW - H, UA, UA - H, UA strong box type

R1, R2 rulers design options: UW, UW strong box type, UA strong box type

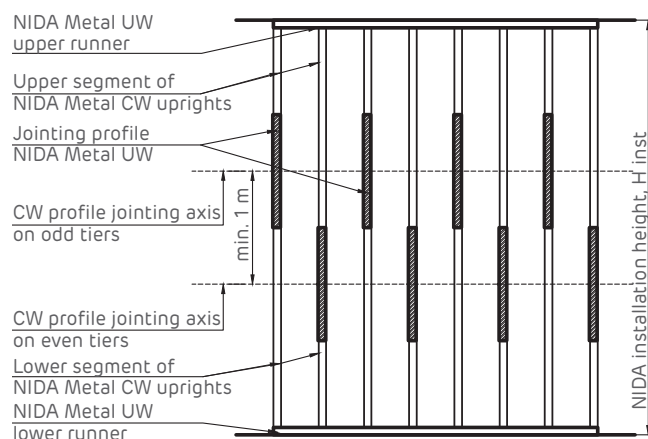
If the NIDA System lining is intended to be fire resistant from both directions, then the installed hatch shall also be fire resistant from both directions.

## Horizontal section of the inspection hatch.

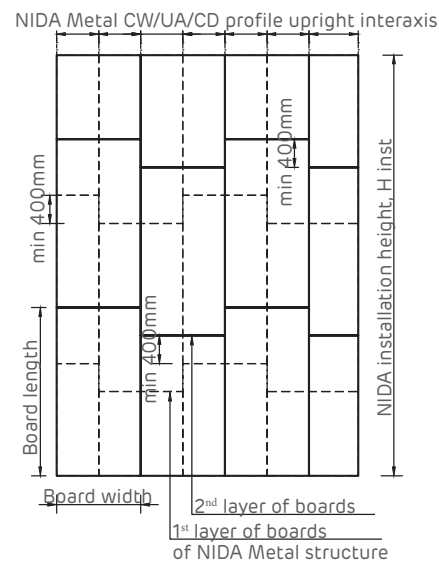
**NOTE:**

The detail presented is general in nature and focuses on the stiffening of the structure in the hatch installation area. It will be customised according to the model of hatch to be installed in the NIDA system

## NIDA Metal CW profile joint staggering. System elevation.



## Board staggering. System elevation. Vertical and horizontal joints should be staggered to avoid overlap.

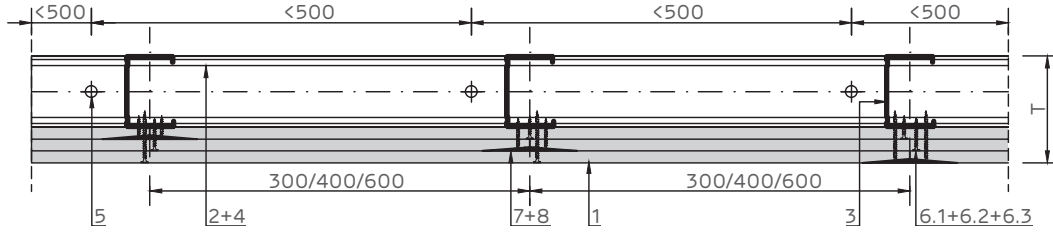


- 1 2x Siniat plasterboard
- 2 NIDA Metal UW runner profile
- 3 NIDA Metal CW stud
- 4 Single-sided sealing tape
- 5 Mechanical fixing - Max. pitch 500 mm (\*1)
- 6.1 Self-tapping screw 212xL1 @ 600
- 6.2 Self-tapping screw 212xL2 @ 300
- 7 Jointing tape (\*2)
- 8 NIDA Professional jointing plaster
- 9 Self-tapping screw 212xL3 + flat washer @500mm
- 10 NIDA Metal UD30 end profile
- 11 Wooden item
- 12 NIDA Boardfix
- 13 Stiff support (reinforced concrete/brickwork/wood/etc.)
- 14 Corner protection profile
- 15 Self-drilling screw 4.2x13 FLAT HEAD in zigzag@500mm
- 16 NIDA Metal CW end profile
- 17 NIDA Metal CW additional upright
- 18 Strip made of Siniat plasterboards
- 19 Special NIDA Metal UW runner profile (\*4)
- 20 NIDA Metal Cd@60cm profile

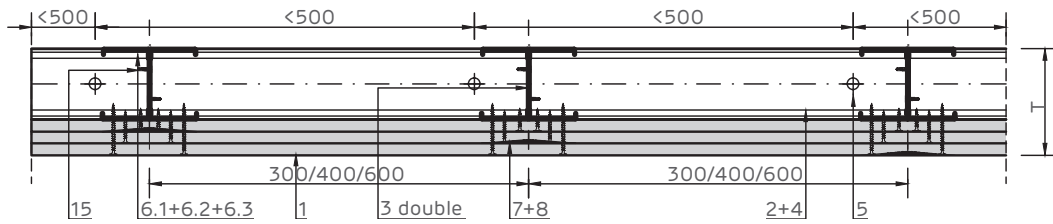
# NIDA System SH.CW.I

Shaft-walls with NIDA System SH.CW.I triple-layer lining on NIDA Metal CW/UW independent support structure

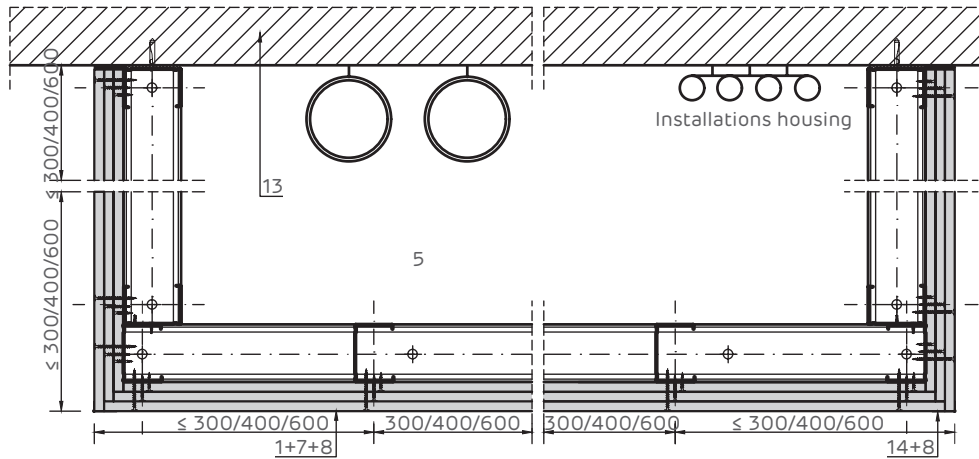
Single NIDA Metal CW upright Horizontal section.



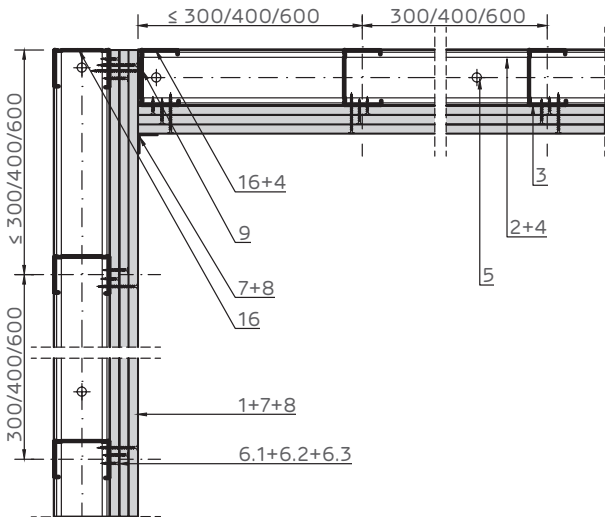
Double NIDA Metal CW upright Horizontal section.



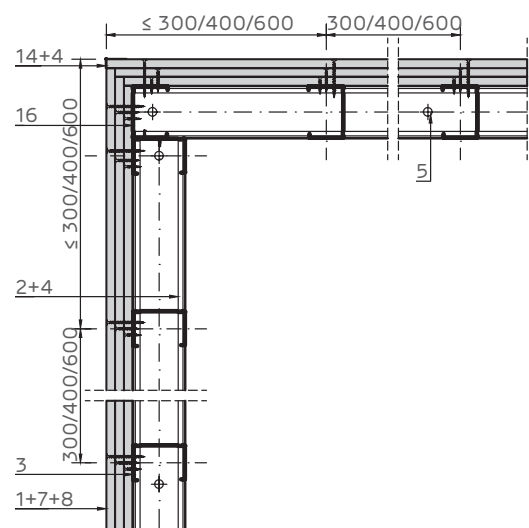
Three-sided enclosing of installations housing Horizontal section.



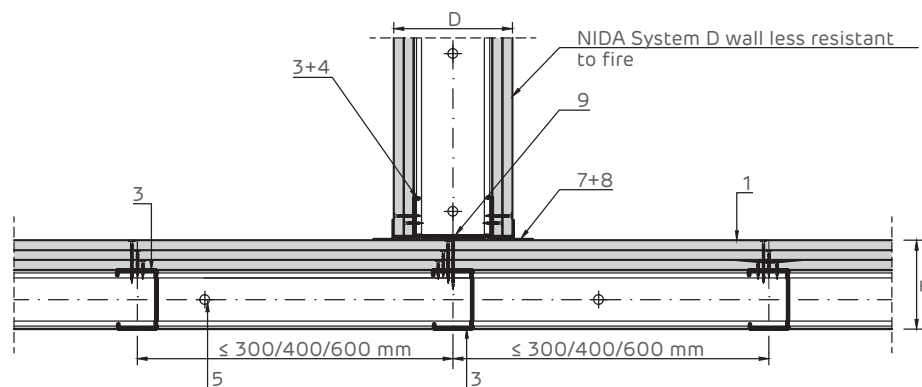
90° corner joint. Horizontal section.



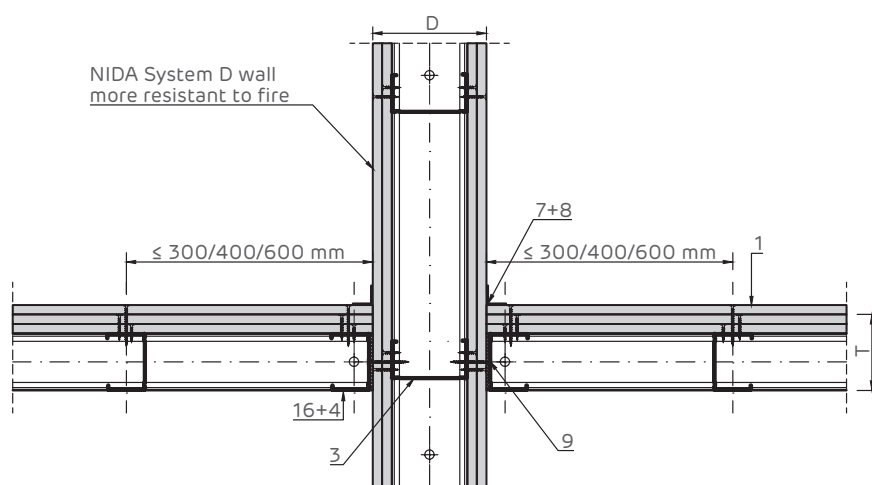
270° corner joint. Horizontal section.



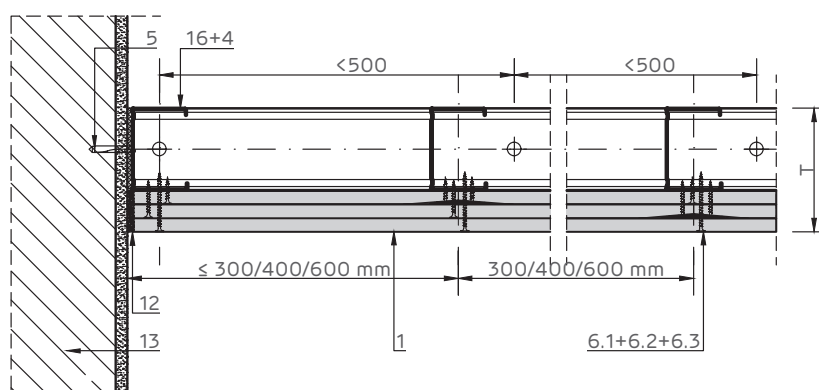
### Crossing with D wall less resistant to fire Horizontal section.



### Crossing with D wall more resistant to fire Horizontal section.

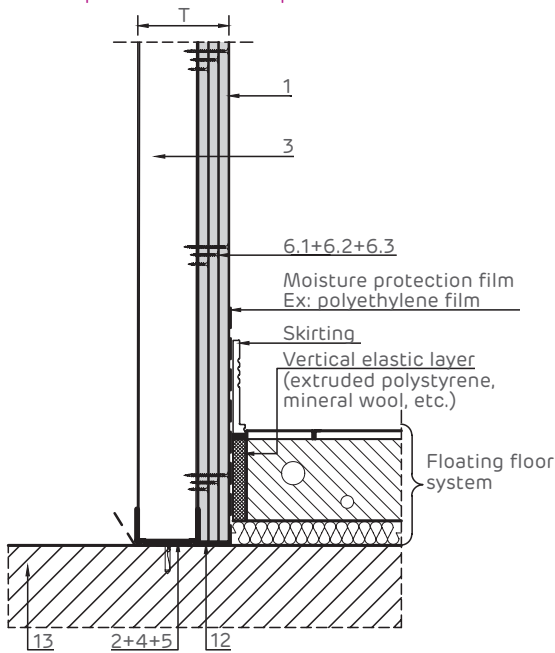


### Rigid jointing with sturdy item Horizontal section.

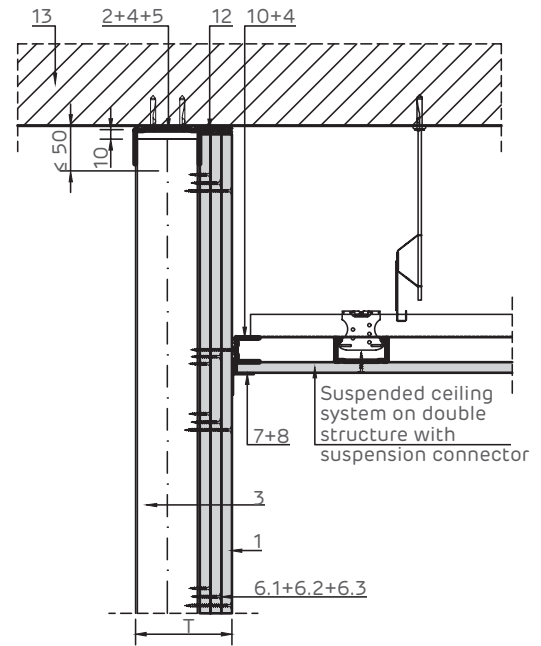


- |  |  |
|--|--|
| 1 3x Siniat plasterboard                         | 10 NIDA Metal UD30 end profile                             |
| 2 NIDA Metal UW runner profile                   | 11 Wooden item   |
| 3 NIDA Metal CW stud                             | 12 NIDA Boardfix   |
| 4 Single-sided sealing tape                      | 13 Stiff support (reinforced concrete/brickwork/wood/etc.) |
| 5 Mechanical fixing - Max. pitch 500 mm (*1)     | 14 Corner protection profile                               |
| 6.1 Self-tapping screw 212xL1 @ 600              | 15 Self-drilling screw 4.2x13 FLAT HEAD in zigzag@500mm    |
| 6.2 Self-tapping screw 212xL2 @ 600              | 16 NIDA Metal CW end profile                               |
| 6.3 Self-tapping screw 212xL3 @ 300              | 17 NIDA Metal CW additional upright                        |
| 7 Jointing tape (*2)                             | 18 Strip made of Siniat plasterboards                      |
| 8 NIDA Professional jointing plaster             | 19 Special NIDA Metal UW runner profile (*4)               |
| 9 Self-tapping screw 212xL4 + flat washer @500mm | 20 NIDA Metal Cd@60cm profile                              |

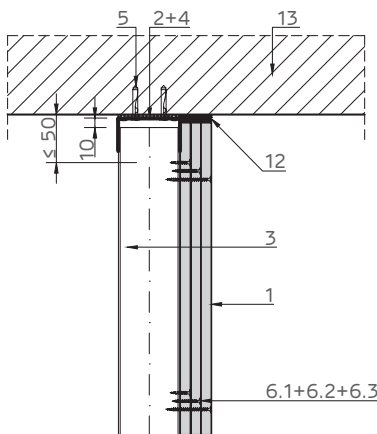
Detailed crossing with floating floor system.  
Vertical section at the bottom of the lining.  
For superior acoustic performance.



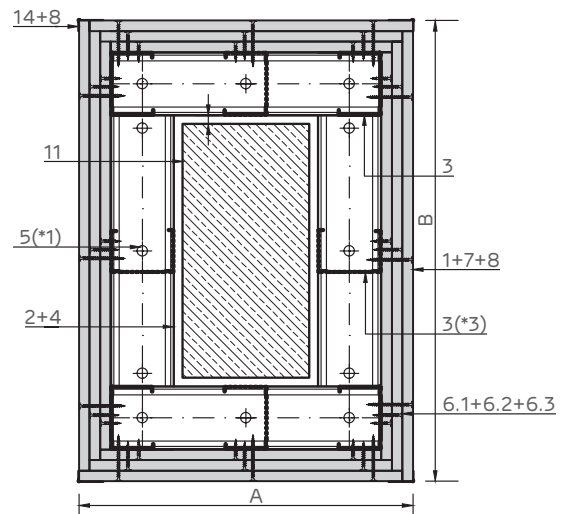
Detailed crossing with suspended ceiling  
on double structure with adjustable clamp.  
Vertical section



Detailed attachment at the top  
on reinforced concrete members.  
Installation height:  $H \leq 5$  m.  
Vertical section.

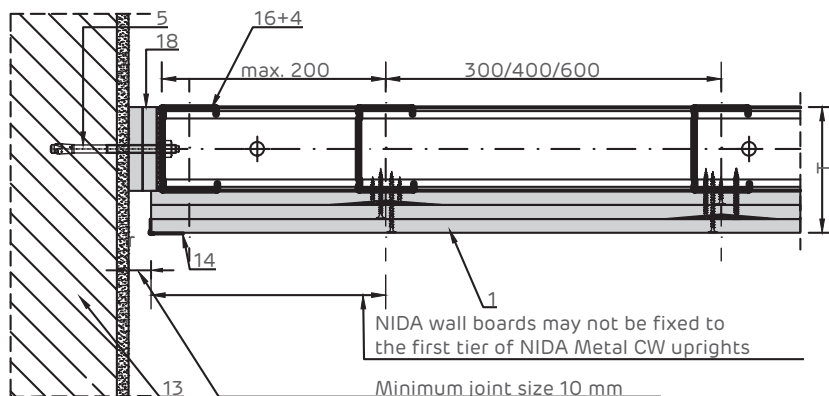


Lining of a wooden item  
Horizontal section.



**NOTE:**  
(\*1) A minimum of 3 fasteners should be fitted along NIDA Metal UD.  
(\*3) If the lining size (A/B) exceeds the maximum value of 600 mm, an additional upright (marked with a dotted line in the plan) should be placed.

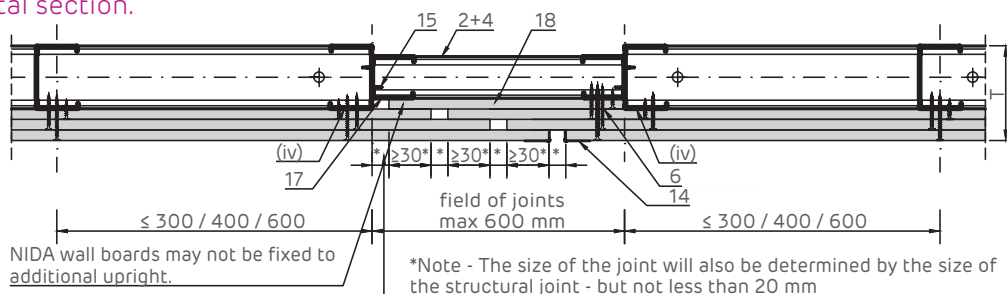
Sliding joint with sturdy items.  
Horizontal section.



### Expansion joint Horizontal section.

**NOTE:**

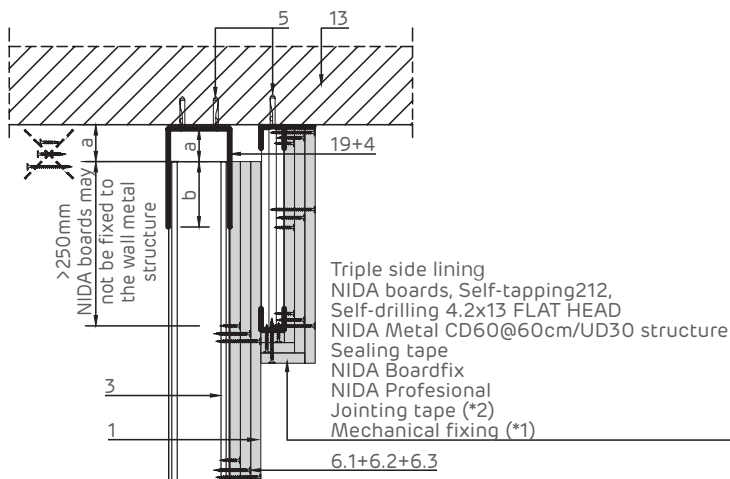
- (iv) For the last plasterboard layer, it is not acceptable to make a joint in front of the specified upright.
- (v) In the case of lining longer than 15 m, a vertical joint should be made every 10 m of the system; The joint should also be placed in front of structural joints.



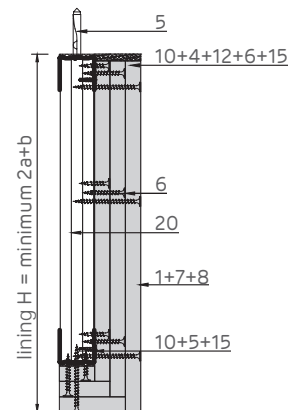
(\*) The size of the joint will also be determined by the size of the structural joint, but not less than 20 mm

(\*\*) The overlap of boards should have a minimum size of (\* + 10 mm)

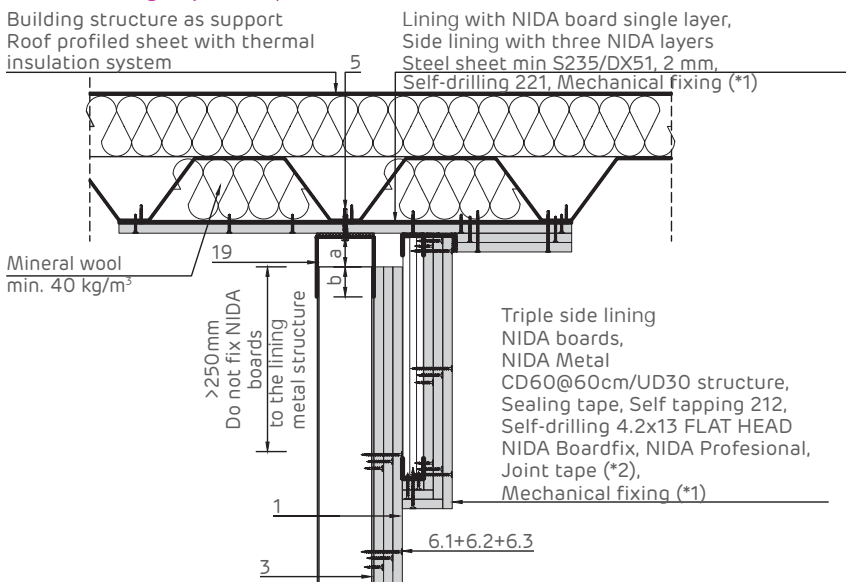
### Detailed attachment at the top on reinforced concrete members. Vertical section



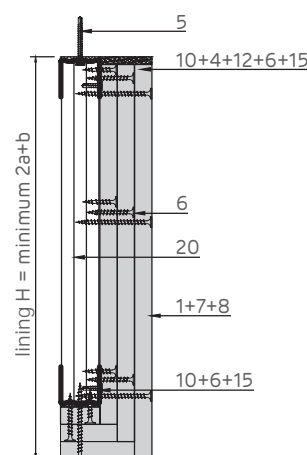
### Detail of triple side lining. Vertical section



### Detailed attachment at the top to the roof profiled sheet. Direct fixing. System parallel to the sheet ribs. Vertical section

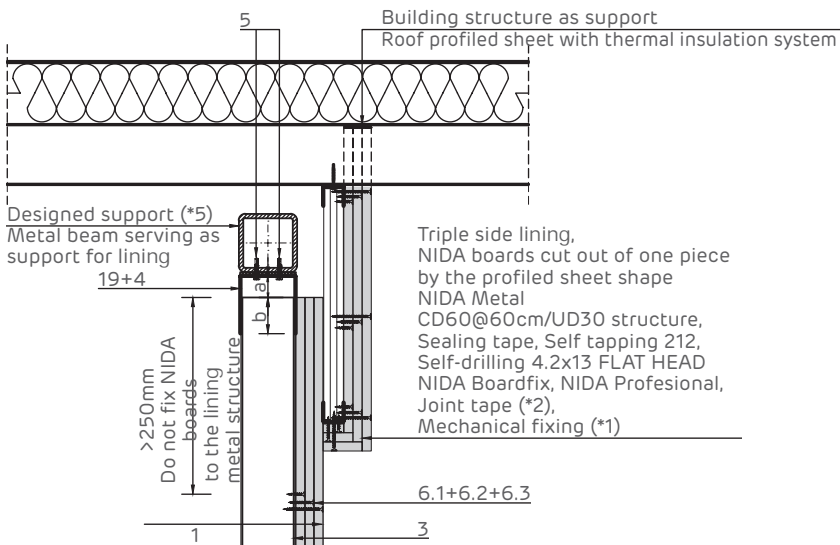


### Detail of triple side lining. Vertical section

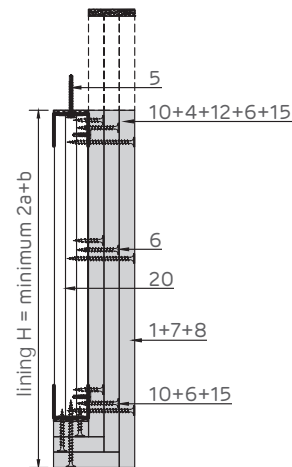


- |  |  |
|--|--|
| <ul style="list-style-type: none"> <li>1 3x Siniat plasterboard</li> <li>2 NIDA Metal UW runner profile</li> <li>3 NIDA Metal CW stud</li> <li>4 Single-sided sealing tape</li> <li>5 Mechanical fixing - Max. pitch 500 mm (*1)</li> <li>6.1 Self-tapping screw 212xL1 @ 600</li> <li>6.2 Self-tapping screw 212xL2 @ 600</li> <li>6.3 Self-tapping screw 212xL3 @ 300</li> <li>7 Jointing tape (*2)</li> <li>8 NIDA Professional jointing plaster</li> <li>9 Self-tapping screw 212xL4 + flat washer @500mm</li> </ul> | <ul style="list-style-type: none"> <li>10 NIDA Metal UD30 end profile</li> <li>11 Wooden item</li> <li>12 NIDA Boardfix</li> <li>13 Stiff support (reinforced concrete/brickwork/wood/etc.)</li> <li>14 Corner protection profile</li> <li>15 Self-drilling screw 4.2x13 FLAT HEAD in zigzag@500mm</li> <li>16 NIDA Metal CW end profile</li> <li>17 NIDA Metal CW additional upright</li> <li>18 Strip made of Siniat plasterboards</li> <li>19 Special NIDA Metal UW runner profile (*4)</li> <li>20 NIDA Metal Cd@60cm profile</li> </ul> |
|--|--|

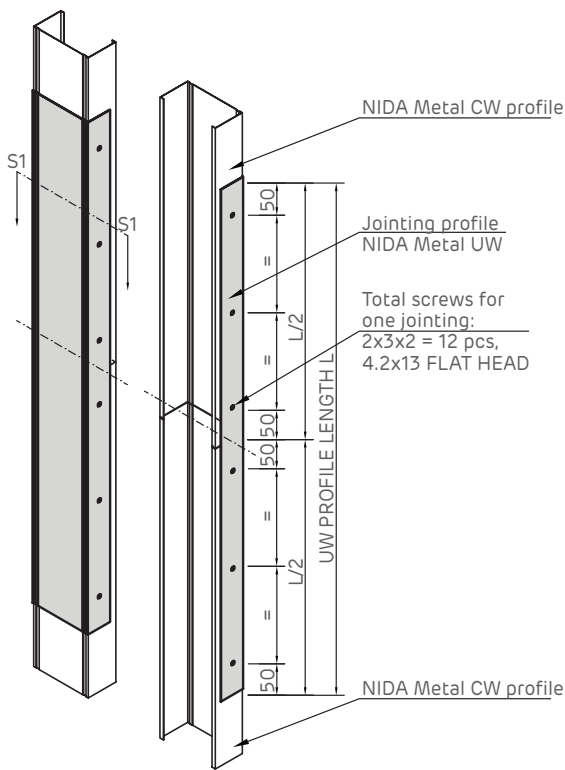
Detailed attachment at the top on the roof profiled sheet.  
Fixing on designed support (\*5). System perpendicular to the profiles. Vertical section



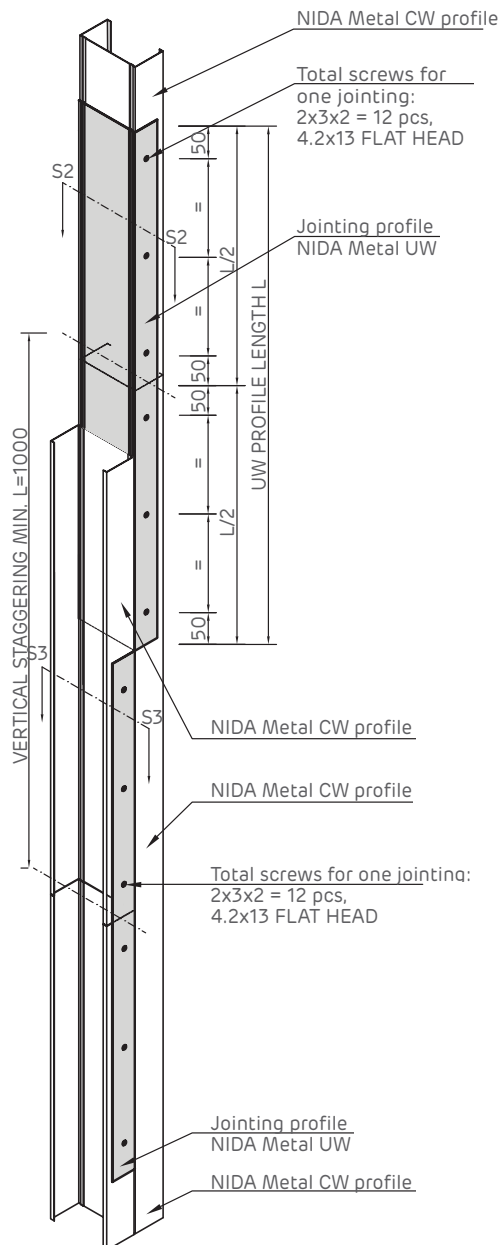
Detail of triple side lining.  
Vertical section



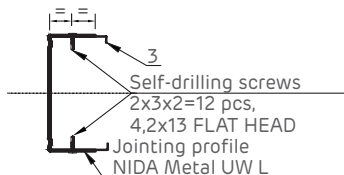
Jointing detail of NIDA Metal CW single profiles.



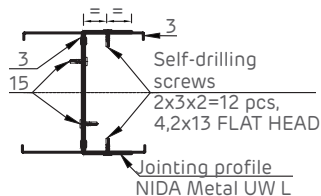
Jointing detail of NIDA Metal CW double profiles.



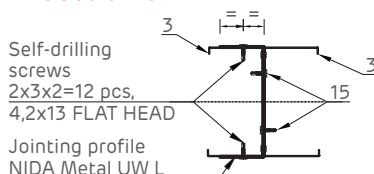
Section S1



Section S2



Section S3

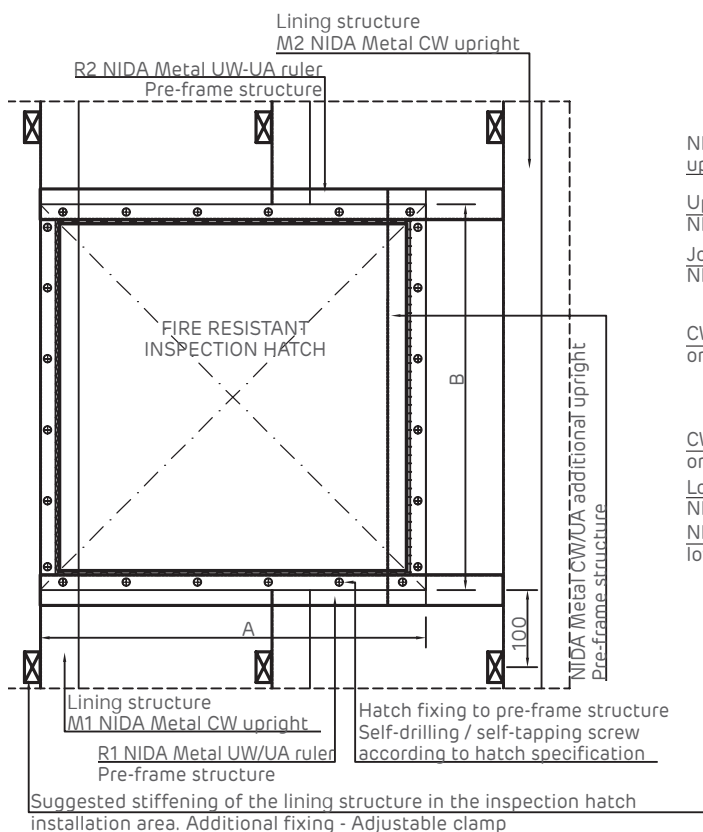


N°	NIDA Metal jointing profile	UW jointing profile length (mm)
1	UW 50	L=1000
2	UW 75	L=1500
3	UW 100	L=2000

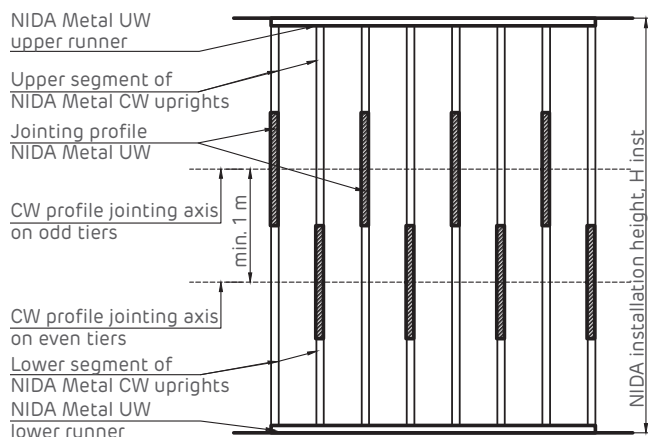




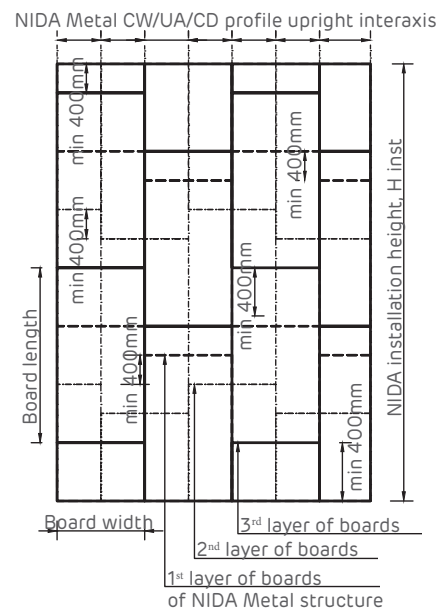
Access hatch elevation.



NIDA Metal CW profile joint staggering. System elevation.



Board staggering. System elevation. Vertical and horizontal joints should be staggered to avoid overlap.



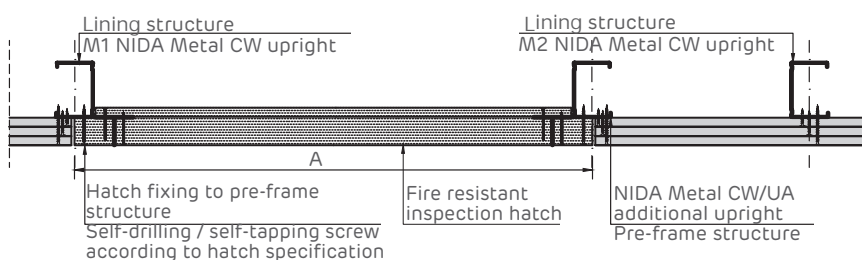
NOTE (\*):

The pre-frame structure (Rulers R1, R2 + Uprights M1, M2) used for fixing the hatch will be sized according to the following points:

- Hatch sizes (A, B)
- Hatch weight
- Lining height and configuration

M1, M2 uprights design options: CW, CW - H, UA, UA - H, UA strong box type  
 R1, R2 rulers design options: UW, UW strong box type, UA strong box type  
 If the NIDA System lining is intended to be fire resistant from both directions, then the installed hatch shall also be fire resistant from both directions.

Horizontal section of the inspection hatch.



NOTE:

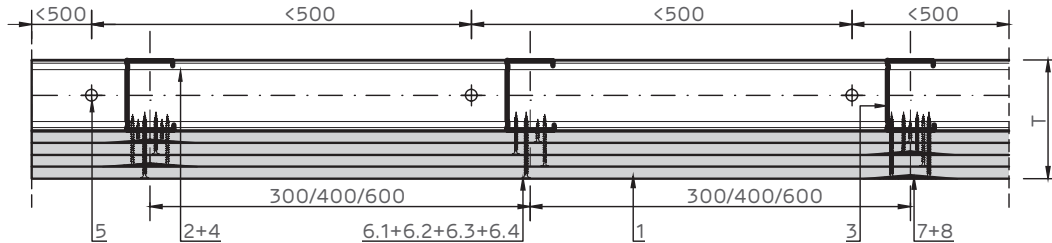
The detail presented is general in nature and focuses on the stiffening of the structure in the hatch installation area. It will be customised according to the model of hatch to be installed in the NIDA system

- 1 3x Siniat plasterboard
- 2 NIDA Metal UW runner profile
- 3 NIDA Metal CW stud
- 4 Single-sided sealing tape
- 5 Mechanical fixing - Max. pitch 500 mm (\*1)
- 6.1 Self-tapping screw 212xL1 @ 600
- 6.2 Self-tapping screw 212xL2 @ 600
- 6.3 Self-tapping screw 212xL3 @ 300
- 7 Jointing tape (\*2)
- 8 NIDA Profesional jointing plaster
- 9 Self-tapping screw 212xL4 + flat washer @500mm
- 10 NIDA Metal UD30 end profile
- 11 Wooden item
- 12 NIDA Boardfix
- 13 Stiff support (reinforced concrete/brickwork/wood/etc.)
- 14 Corner protection profile
- 15 Self-drilling screw 4.2x13 FLAT HEAD in zigzag@500mm
- 16 NIDA Metal CW end profile
- 17 NIDA Metal CW additional upright
- 18 Strip made of Siniat plasterboards
- 19 Special NIDA Metal UW runner profile (\*4)
- 20 NIDA Metal Cd@60cm profile

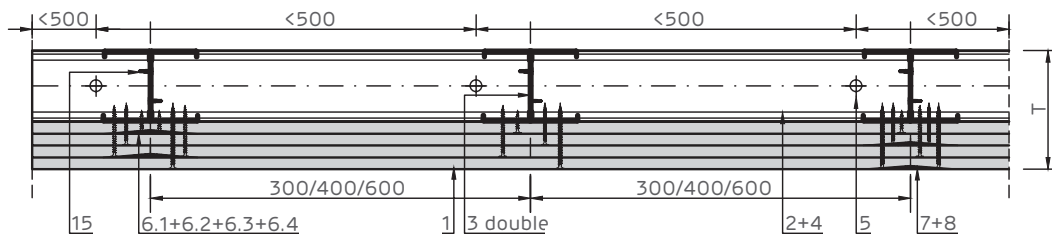
## NIDA System SH.CW.I

Shaft-walls with NIDA System SH.CW.I four-layer lining on NIDA Metal CW/UW independent support structure

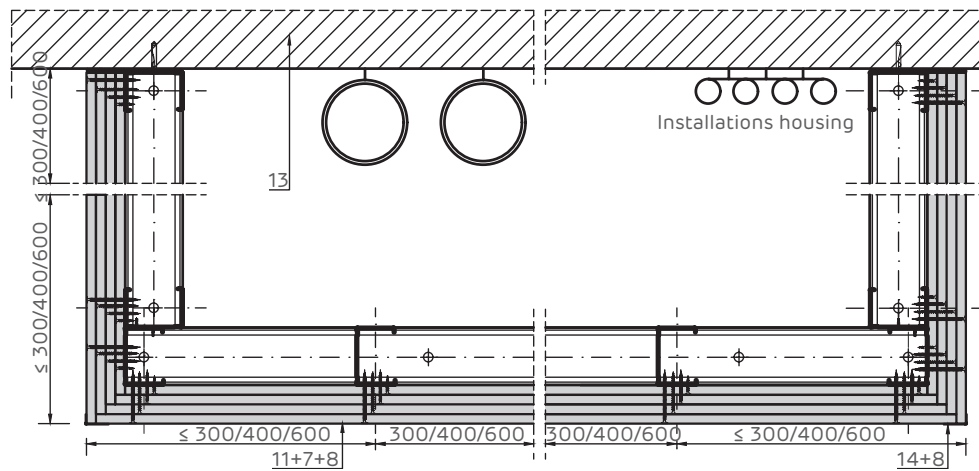
Single NIDA Metal CW upright Horizontal section.



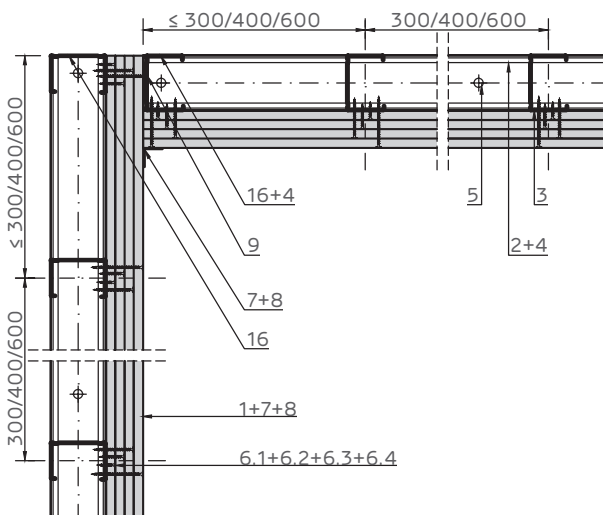
Double NIDA Metal CW upright Horizontal section.



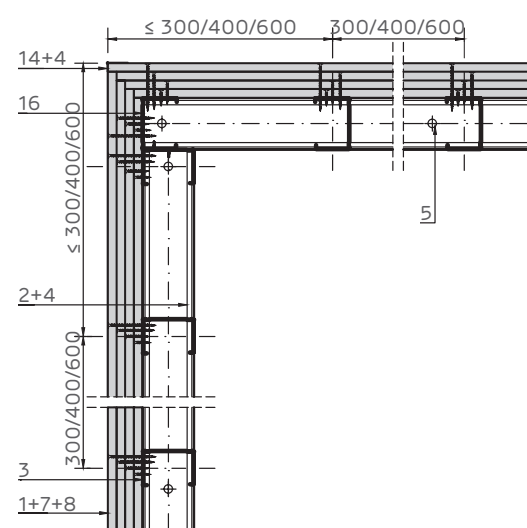
Three-sided enclosing of installations housing Horizontal section.



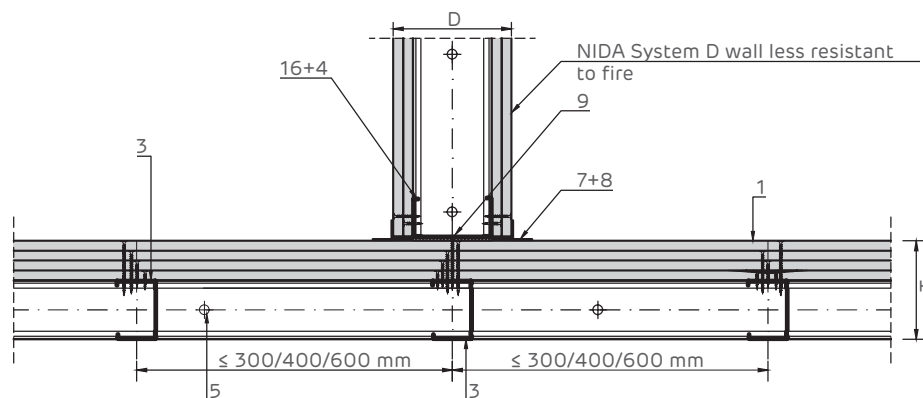
90° corner joint. Horizontal section.



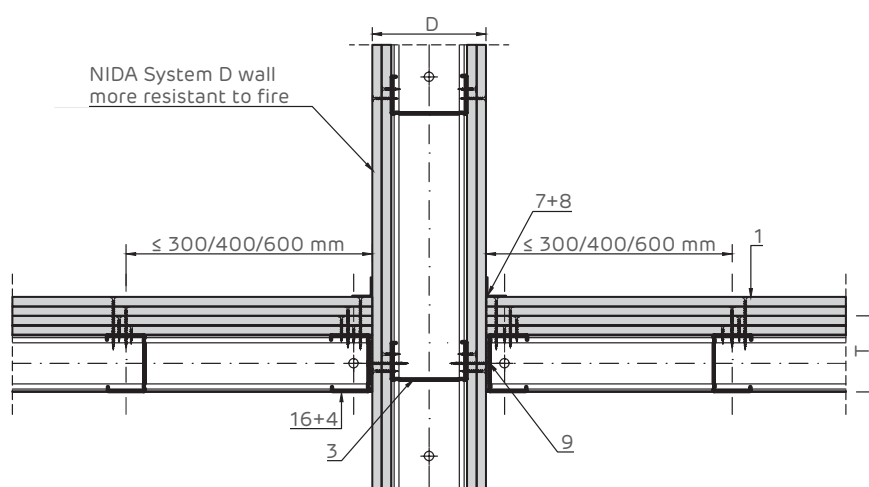
270° corner joint. Horizontal section.



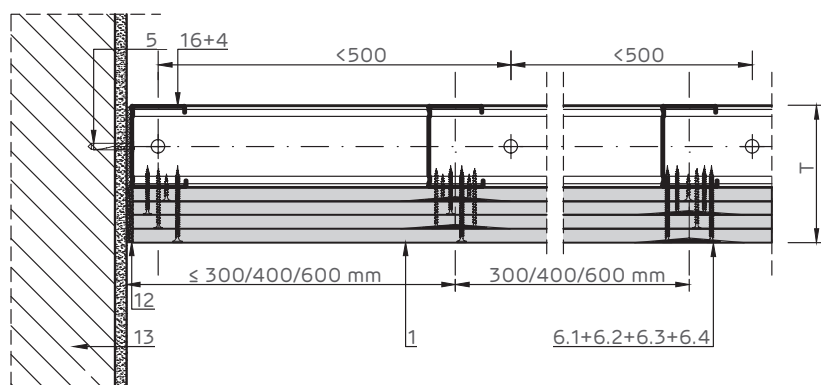
### Crossing with D wall less resistant to fire Horizontal section.



### Crossing with D wall more resistant to fire Horizontal section.

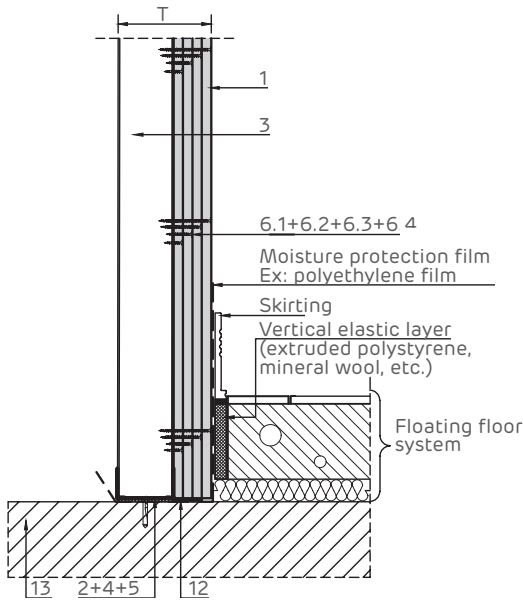


### Rigid jointing with sturdy item Horizontal section.

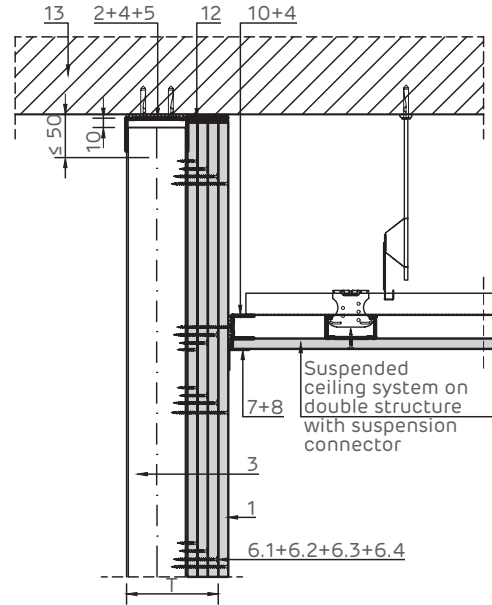


- |  |   |
|--|---|
| ① 4x Siniat plasterboard                         | ⑩ NIDA Metal UD30 end profile                             |
| ② NIDA Metal UW runner profile                   | ⑪ Wooden item   |
| ③ NIDA Metal CW stud                             | ⑫ NIDA Boardfix   |
| ④ Single-sided sealing tape                      | ⑬ Stiff support (reinforced concrete/brickwork/wood/etc.) |
| ⑤ Mechanical fixing - Max. pitch 500 mm (*1)     | ⑭ Corner protection profile                               |
| ⑥.1 Self-tapping screw 212xL1 @ 600              | ⑮ Self-drilling screw 4.2x13 FLAT HEAD in zigzag@500mm    |
| ⑥.2 Self-tapping screw 212xL2 @ 600              | ⑯ NIDA Metal CW end profile                               |
| ⑥.3 Self-tapping screw 212xL3 @ 600              | ⑰ NIDA Metal CW additional upright                        |
| ⑥.4 Self-tapping screw 212xL4 @ 300              | ⑱ Strip made of Siniat plasterboards                      |
| ⑦ Jointing tape (*2)                             | ⑲ Special NIDA Metal UW runner profile (*4)               |
| ⑧ NIDA Profesional jointing plaster              | ⑳ NIDA Metal Cd@60cm profile                              |
| ⑨ Self-tapping screw 212xL5 + flat washer @500mm |   |

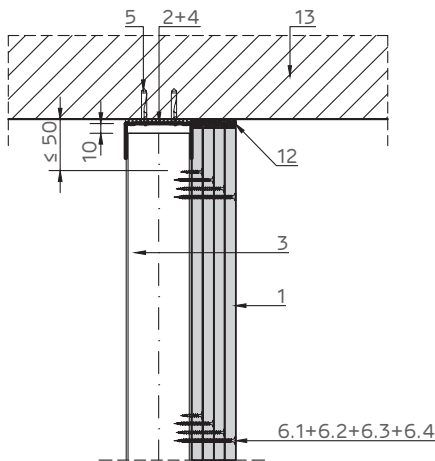
Detailed crossing with floating floor system.  
Vertical section at the bottom of the lining.  
For superior acoustic performance.



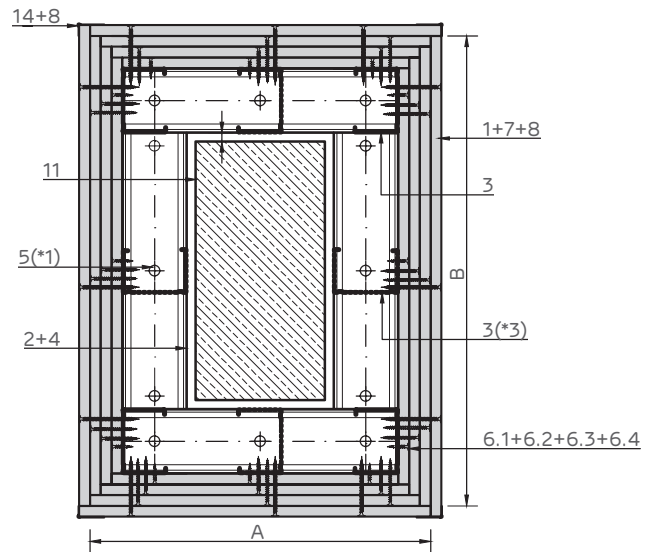
Detailed crossing with suspended ceiling on double structure with adjustable clamp.  
Vertical section



Detailed attachment at the top on reinforced concrete members.  
Installation height:  $H \leq 5$  m.  
Vertical section.



Lining of a wooden item  
Horizontal section.

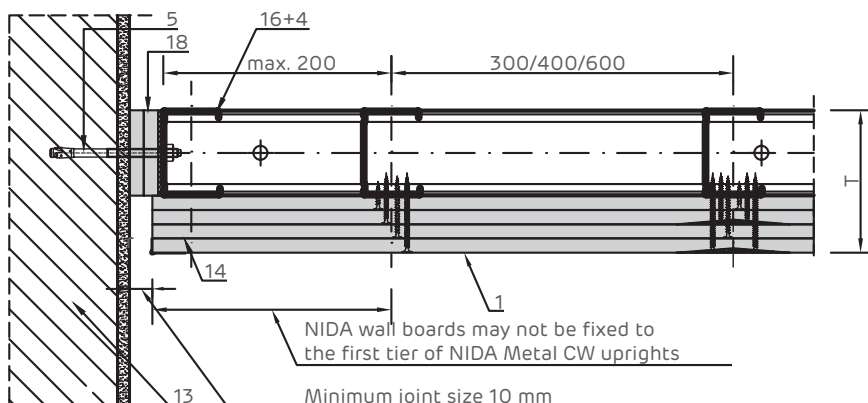


**NOTE:**

(\*1) A minimum of 3 fasteners should be fitted along NIDA Metal UD.

(\*3) If the lining size (A/B) exceeds the maximum value of 600 mm, an additional upright (marked with a dotted line in the plan) should be placed.

Sliding joint with sturdy items.  
Horizontal section.



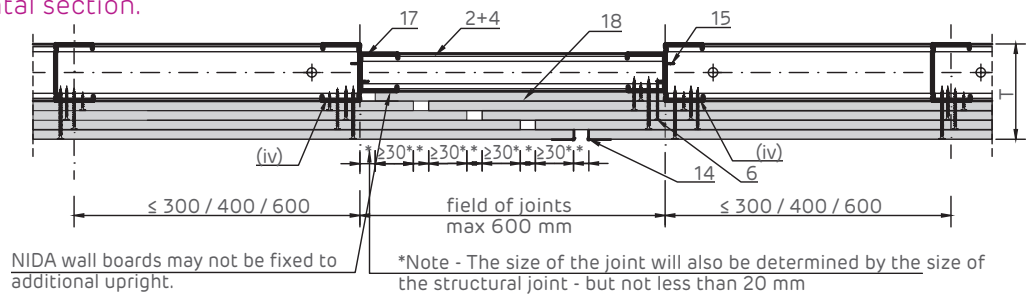
### Expansion joint Horizontal section.

**NOTE:**

(iv) For the last plasterboard layer, it is not acceptable to make a joint in front of the specified upright.

(v) In the case of lining longer than 15 m, a vertical joint should be made every 10 m of the system;

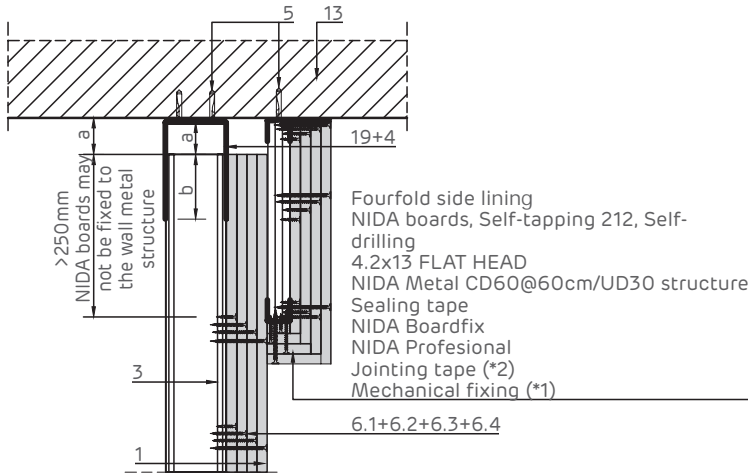
The joint should also be placed in front of structural joints.



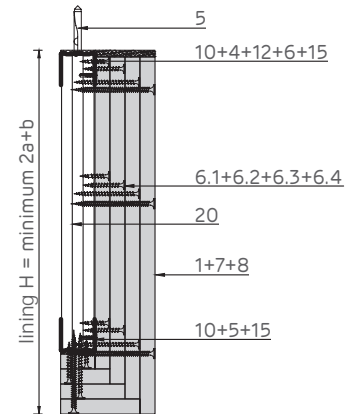
(\*) The size of the joint will also be determined by the size of the structural joint, but not less than 20 mm

(\*\*) The overlap of boards should have a minimum size of (\* + 10 mm)

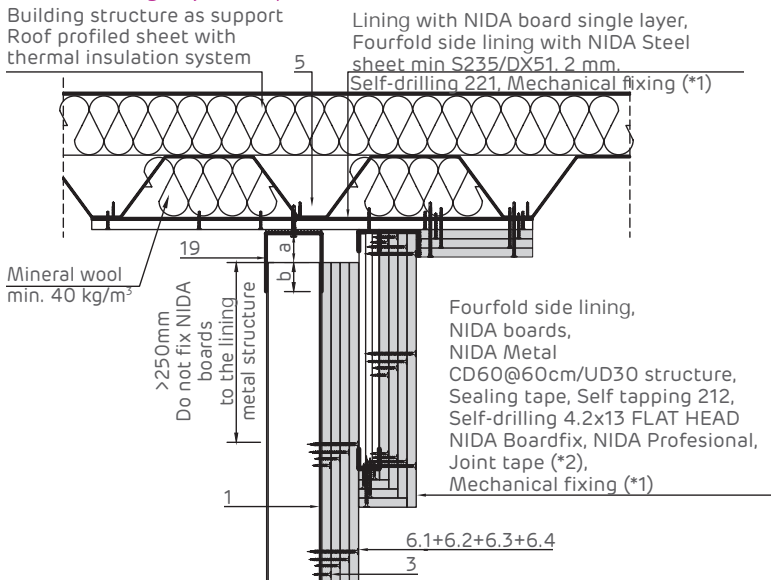
### Detailed attachment at the top on reinforced concrete members. Vertical section



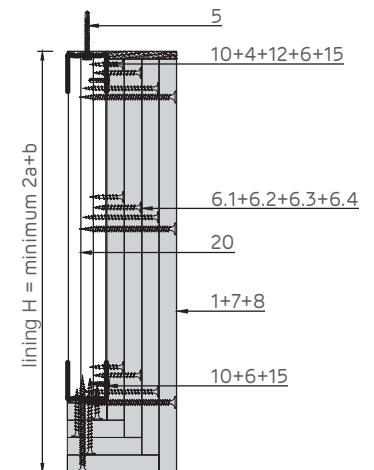
### Detail of fourfold side lining. Vertical section



### Detailed attachment at the top to the roof profiled sheet. Direct fixing. System parallel to the sheet ribs. Vertical section

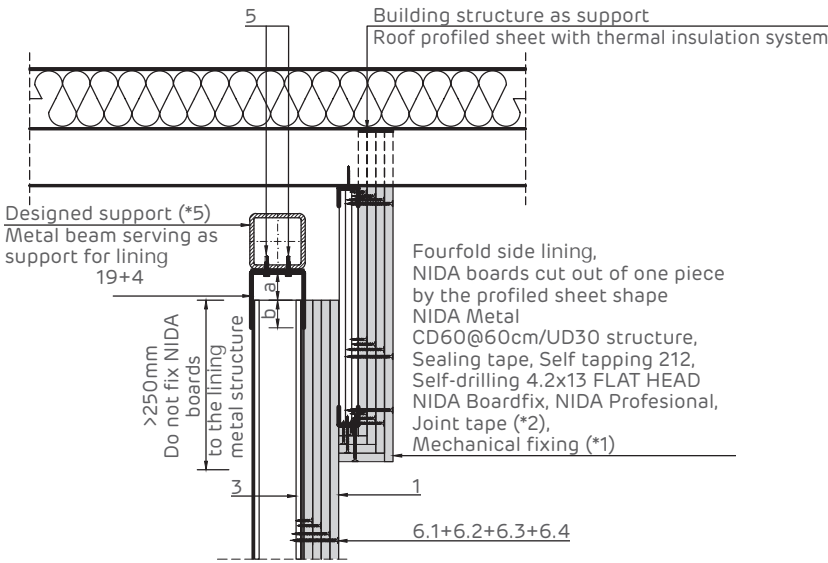


### Detail of fourfold side lining Vertical section

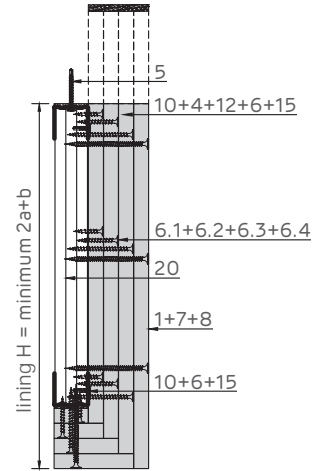


- ① 4x Siniat plasterboard
- ② NIDA Metal UW runner profile
- ③ NIDA Metal CW stud
- ④ Single-sided sealing tape
- ⑤ Mechanical fixing - Max. pitch 500 mm (\*1)
- ⑥.1 Self-tapping screw 212xL1 @ 600
- ⑥.2 Self-tapping screw 212xL2 @ 600
- ⑥.3 Self-tapping screw 212xL3 @ 600
- ⑥.4 Self-tapping screw 212xL4 @ 300
- ⑦ Jointing tape (\*2)
- ⑧ NIDA Profesional jointing plaster
- ⑨ Self-tapping screw 212xL5 + flat washer @500mm
- ⑩ NIDA Metal UD30 end profile
- ⑪ Wooden item
- ⑫ NIDA Boardfix
- ⑬ Stiff support (reinforced concrete/brickwork/wood/etc.)
- ⑭ Corner protection profile
- ⑮ Self-drilling screw 4.2x13 FLAT HEAD in zigzag@500mm
- ⑯ NIDA Metal CW end profile
- ⑰ NIDA Metal CW additional upright
- ⑱ Strip made of Siniat plasterboards
- ⑲ Special NIDA Metal UW runner profile (\*4)
- ⑳ NIDA Metal Cd@60cm profile

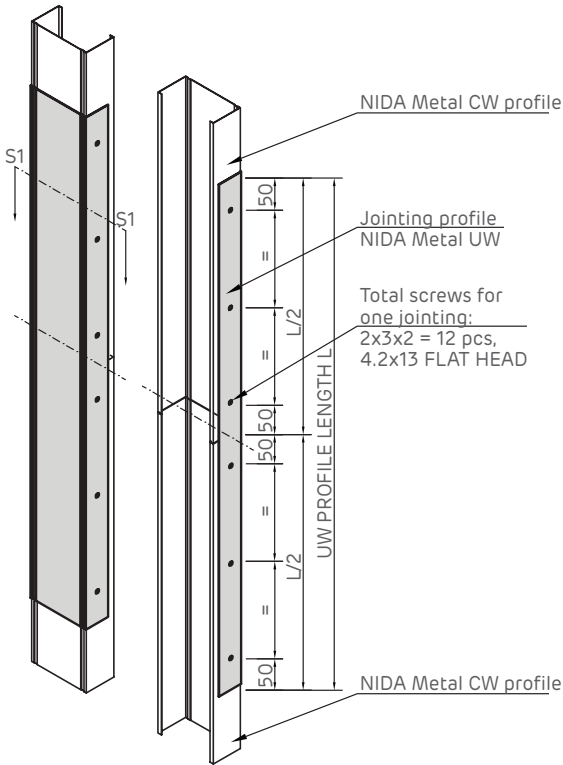
Detailed attachment at the top on the roof profiled sheet.  
Fixing on designed support (\*5). System perpendicular to the profiles. Vertical section



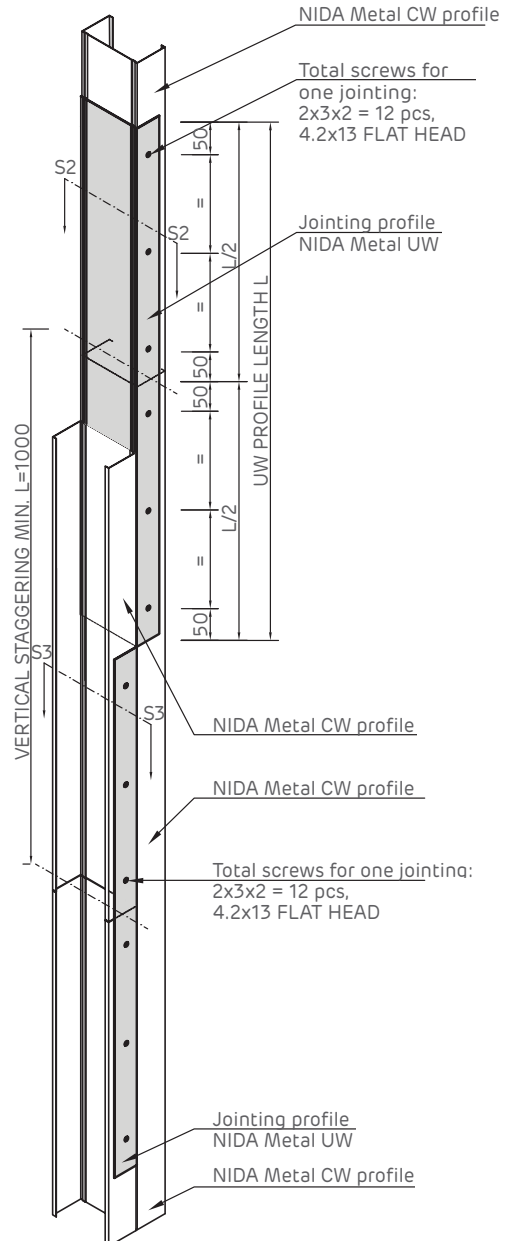
Detail of fourfold side lining  
Vertical section



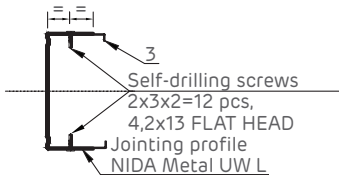
Jointing detail of NIDA Metal CW single profiles.



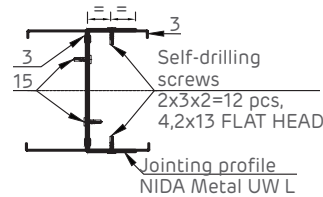
Jointing detail of NIDA Metal CW double profiles.



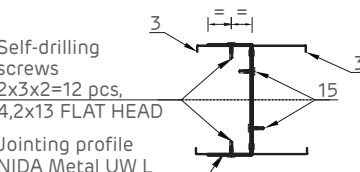
Section S1



Section S2



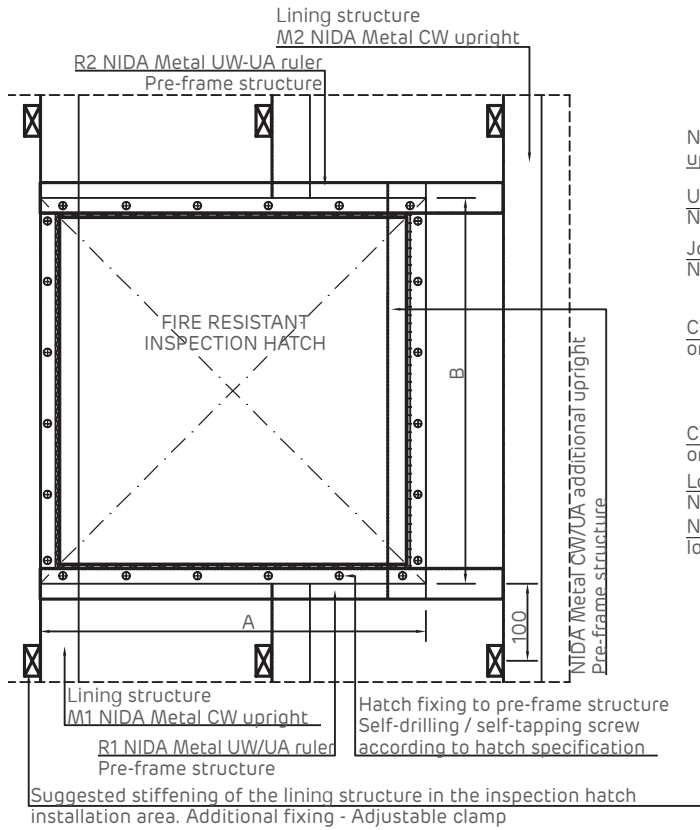
Section S3



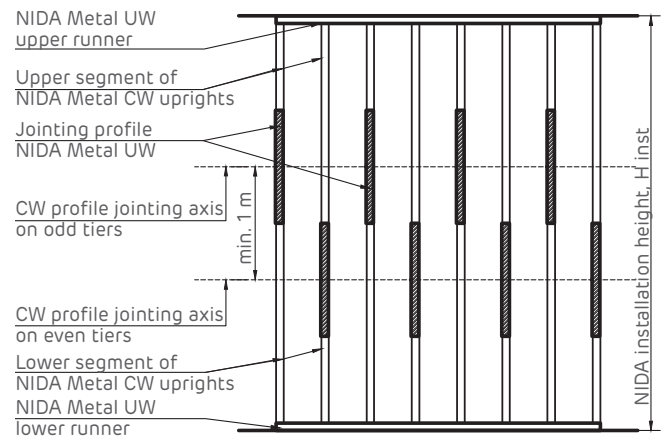
N°	NIDA Metal jointing profile	UW jointing profile length (mm)
1	UW 50	L=1000
2	UW 75	L=1500
3	UW 100	L=2000



Access hatch elevation.



NIDA Metal CW profile joint staggering. System elevation.



Board staggering. System elevation. Vertical and horizontal joints should be staggered to avoid overlap.

NOTE (\*):

The pre-frame structure (Rulers R1, R2 + Uprights M1, M2) used for fixing the hatch will be sized according to the following points:

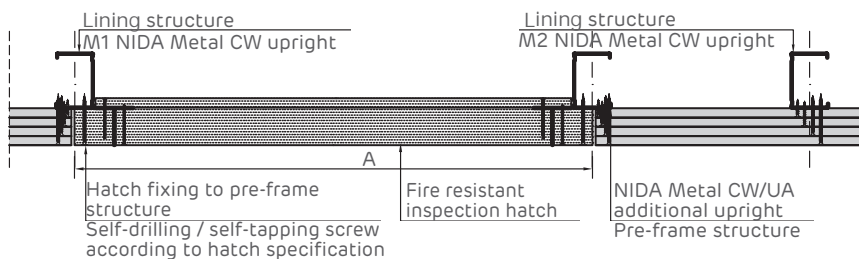
- Hatch sizes (A, B)
- Hatch weight
- Lining height and configuration

M1, M2 uprights design options: CW, CW - H, UA, UA - H, UA strong box type

R1, R2 rulers design options: UW, UW strong box type, UA strong box type

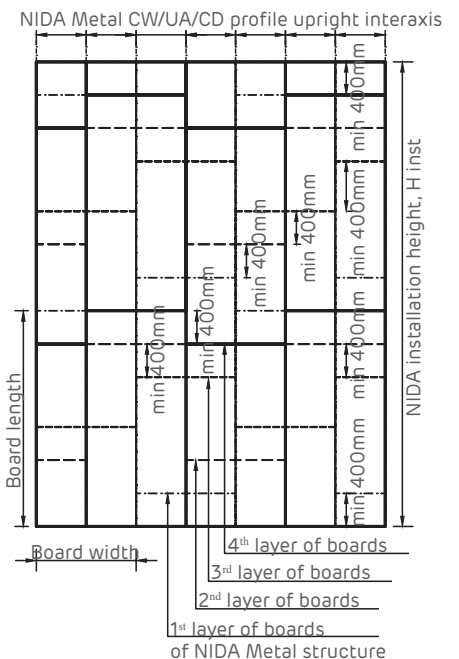
If the NIDA System Lining is intended to be fire resistant from both directions, then the installed hatch shall also be fire resistant from both directions.

Horizontal section of the inspection hatch.



NOTE:

The detail presented is general in nature and focuses on the stiffening of the structure in the hatch installation area. It will be customised according to the model of hatch to be installed in the NIDA system

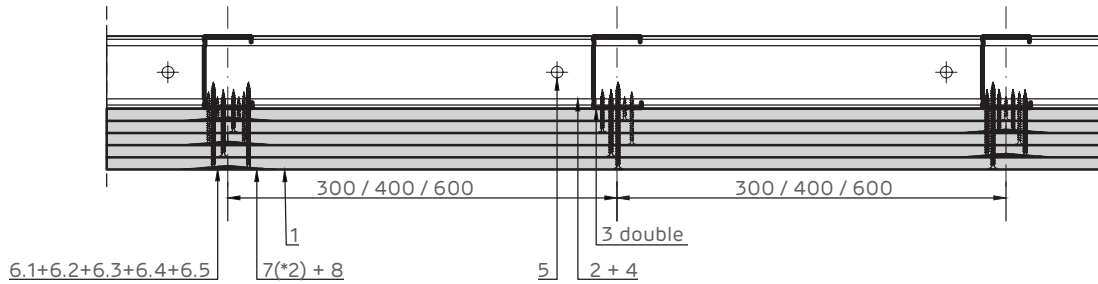


- |   |  |
|---|--|
| <ul style="list-style-type: none"> <li>1 4x Siniat plasterboard</li> <li>2 NIDA Metal UW runner profile</li> <li>3 NIDA Metal CW stud</li> <li>4 Single-sided sealing tape</li> <li>5 Mechanical fixing - Max. pitch 500 mm (*1)</li> <li>6.1 Self-tapping screw 212xL1 @ 600</li> <li>6.2 Self-tapping screw 212xL2 @ 600</li> <li>6.3 Self-tapping screw 212xL3 @ 600</li> <li>6.4 Self-tapping screw 212xL4 @ 300</li> <li>7 Jointing tape (*2)</li> <li>8 NIDA Professional jointing plaster</li> <li>9 Self-tapping screw 212xL5 + flat washer @500mm</li> </ul> | <ul style="list-style-type: none"> <li>10 NIDA Metal UD30 end profile</li> <li>11 Wooden item</li> <li>12 NIDA Boardfix</li> <li>13 Stiff support (reinforced concrete/brickwork/wood/etc.)</li> <li>14 Corner protection profile</li> <li>15 Self-drilling screw 4.2x13 FLAT HEAD in zigzag@500mm</li> <li>16 NIDA Metal CW end profile</li> <li>17 NIDA Metal CW additional upright</li> <li>18 Strip made of Siniat plasterboards</li> <li>19 Special NIDA Metal UW runner profile (*4)</li> <li>20 NIDA Metal Cd@60cm profile</li> </ul> |
|---|--|

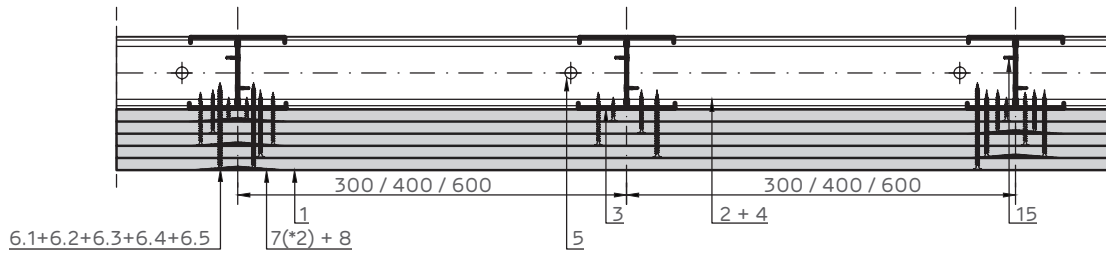
## NIDA System SH.CW.I

Shaft-walls with NIDA System SH.CW.I five-layer lining  
on NIDA Metal CW/UW independent support structure

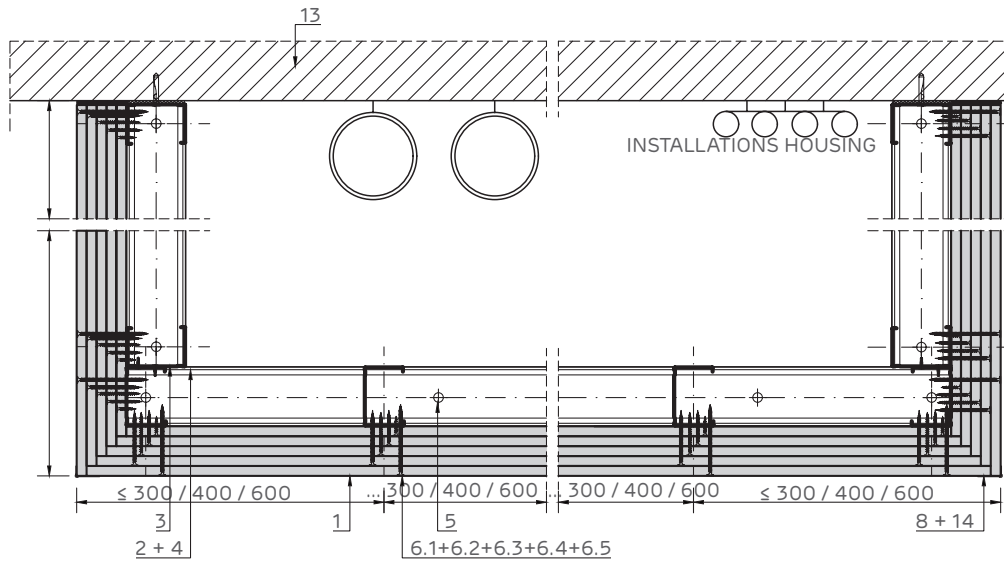
Attachment to stiff support. Horizontal section.



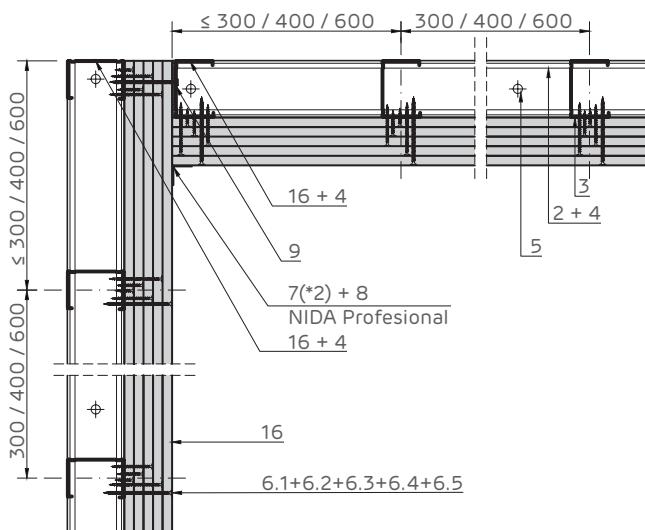
Attachment to stiff support. Horizontal section - double upright



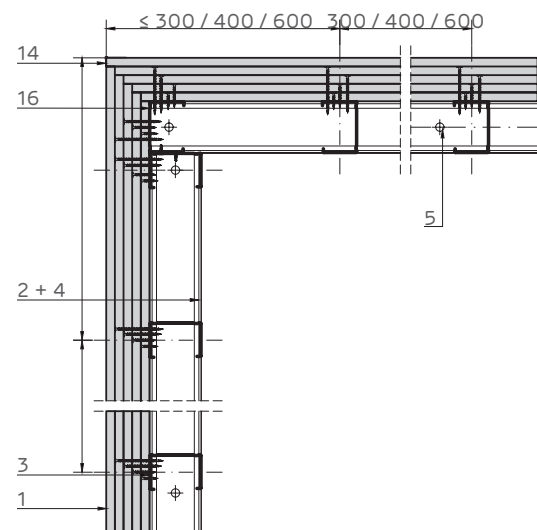
Three-sided enclosing of installations housing Horizontal section.



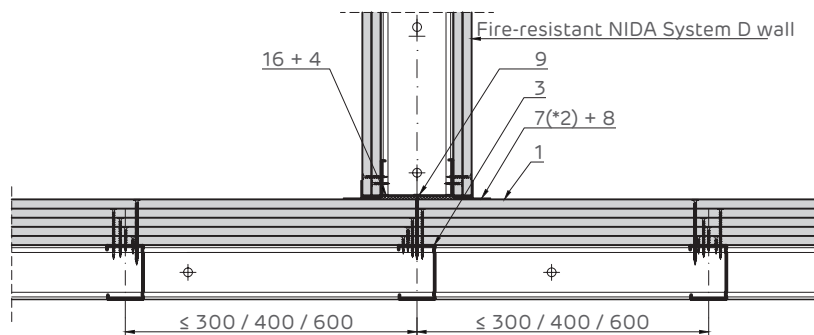
90° corner joint. Horizontal section.



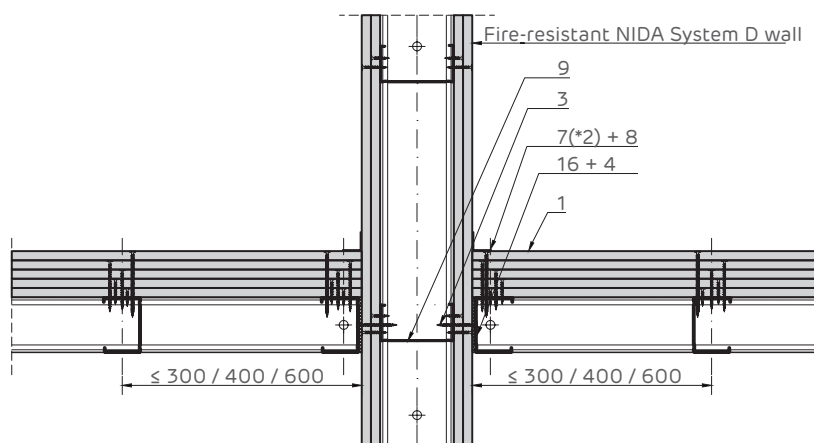
270° corner joint. Horizontal section.



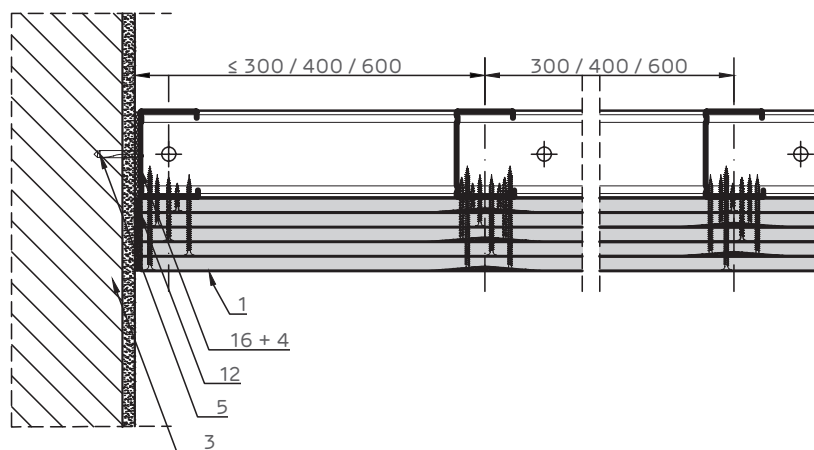
Crossing with D wall  
less resistant to fire. Horizontal section.



Crossing with D wall more resistant to fire  
Horizontal section.

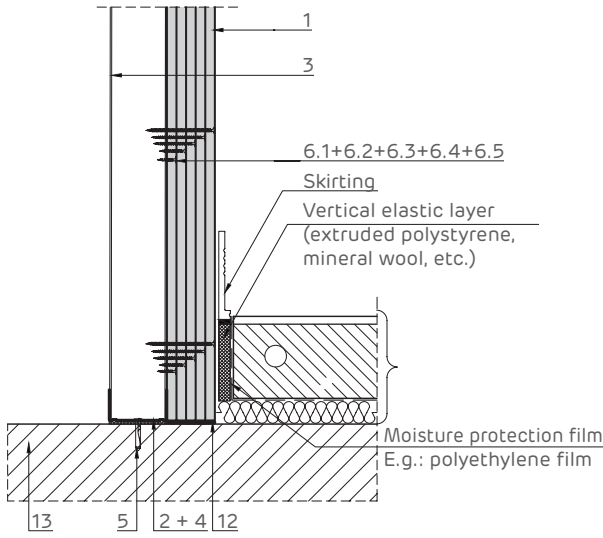


Rigid jointing with sturdy item  
Horizontal section.

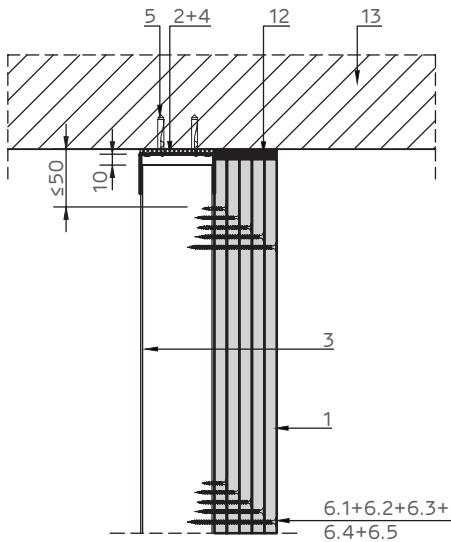


- |     |  |    |   |
|-----|--|----|---|
| 1   | 5x Siniat plasterboard                     | 8  | NIDA Profesional jointing plaster                       |
| 2   | NIDA Metal UW runner profile               | 9  | Self-drilling screw 5.5x25- 2 pcs/fastening             |
| 3   | NIDA Metal CW stud                         | 10 | Corner iron 200x40x40x2 mm                              |
| 4   | Single-sided sealing tape                  | 11 | Mechanical fixing (*1) 1 pc/fastening                   |
| 5   | Mechanical fixing - Max. pitch 500 mm (*1) | 12 | NIDA Boardfix   |
| 6.1 | Self-tapping screw 212xL1 @ 600            | 13 | Stiff support (reinforced concrete/brickwork/wood/etc.) |
| 6.2 | Self-tapping screw 212xL2 @ 600            | 14 | Corner protection profile                               |
| 6.3 | Self-tapping screw 212xL3 @ 600            | 15 | Self-drilling screw 4.2x13 FLAT HEAD in zigzag@500mm    |
| 6.4 | Self-tapping screw 212xL4 @ 600            | 16 | MOLLY @ 500 mm metal dowel                              |
| 6.5 | Self-tapping screw 212xL5 @ 300            | 17 | NIDA Metal CW end profile                               |
| 7   | Jointing tape (*2)                         | 18 | Self-tapping screw 212xL5 + flat washer @500mm          |
|     |  | 19 | NIDA Metal UD30 end profile                             |

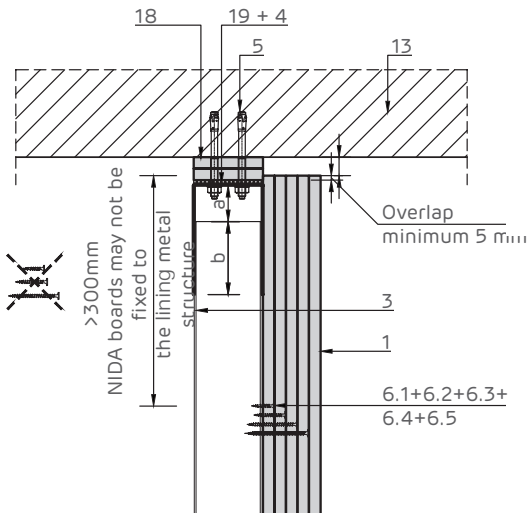
Detailed crossing with floating floor system. Vertical section at the bottom of the lining. For superior acoustic performance.



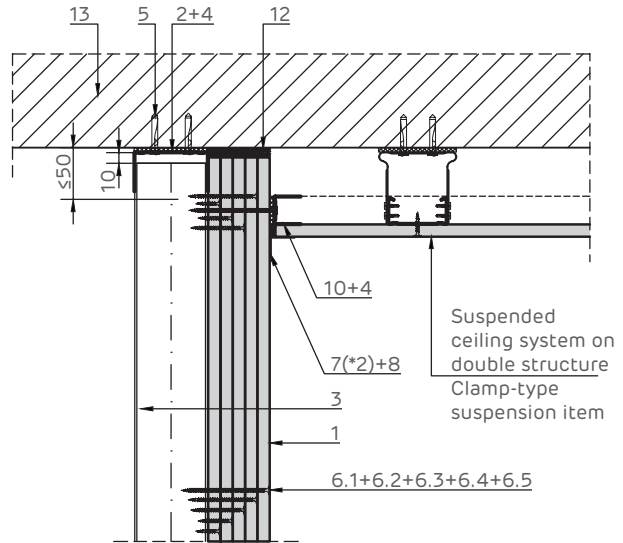
Detailed attachment at the top on reinforced concrete members. Installation height:  $H \leq 5$  m. Vertical section



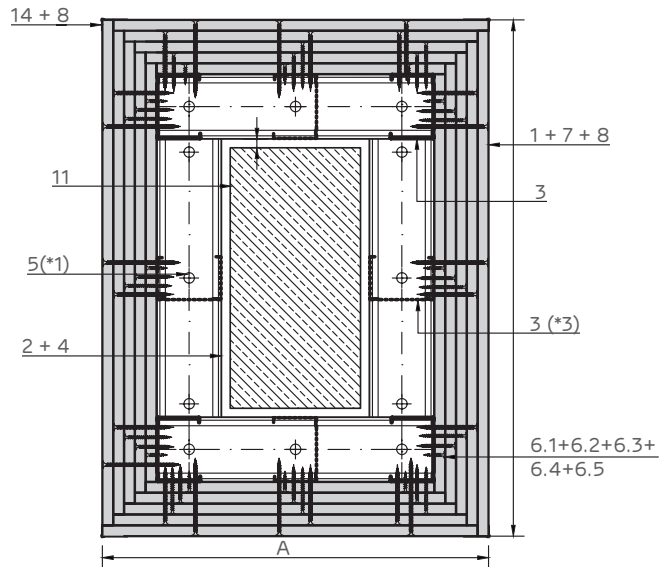
Detailed attachment at the top on reinforced concrete members. Installation height:  $H \leq 5$  m. Vertical section



Detailed crossing with suspended ceiling on double structure with adjustable clamp. Vertical section



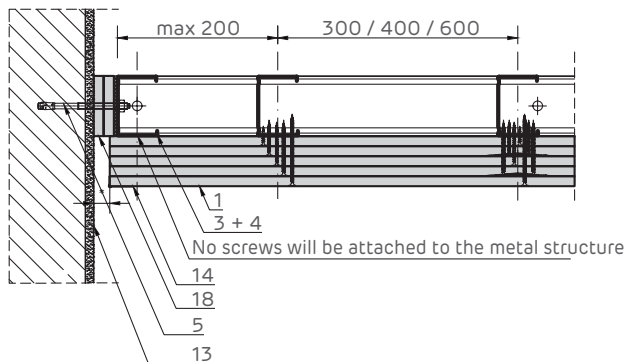
Lining of a wooden item Horizontal section.



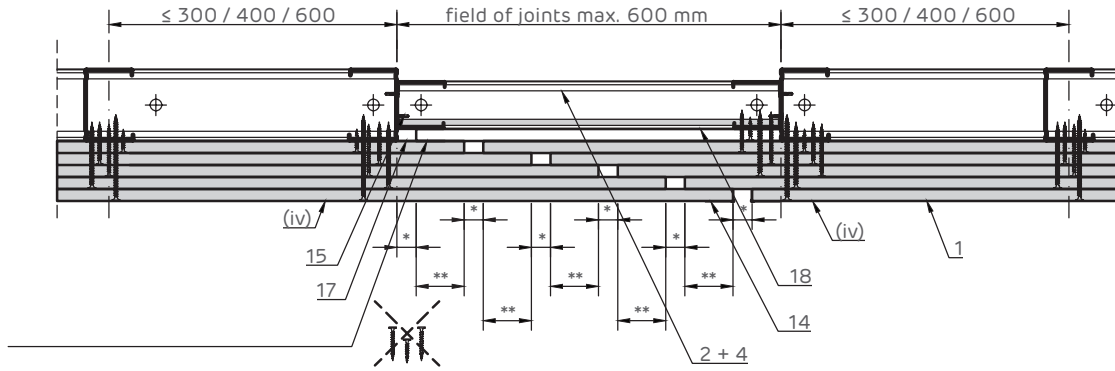
**NOTE:**

- (\*1) A minimum of 3 fasteners should be fitted along NIDA Metal UW profile
- (\*3) If the lining size (A/B) exceeds the maximum value of 600 mm, an additional upright (marked with a dotted line in the plan) should be placed

Sliding joint with sturdy items. Horizontal section.



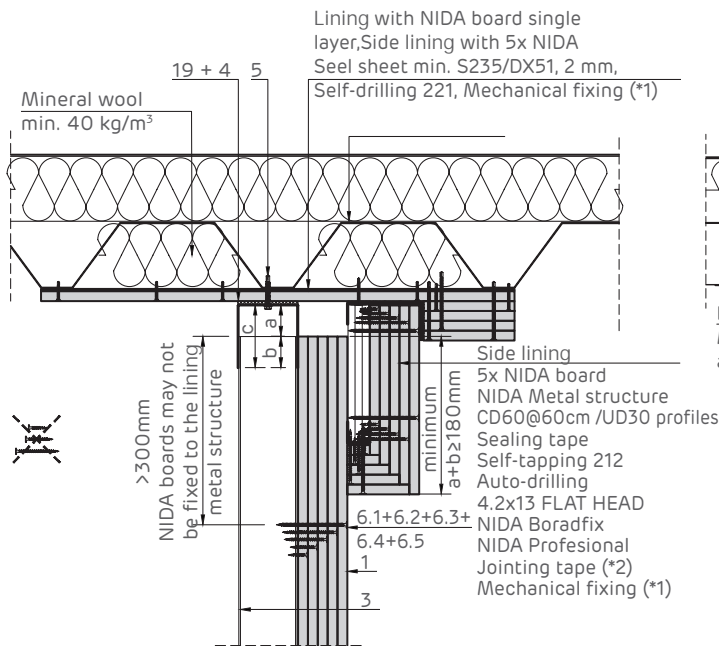
Expansion joint Horizontal section.



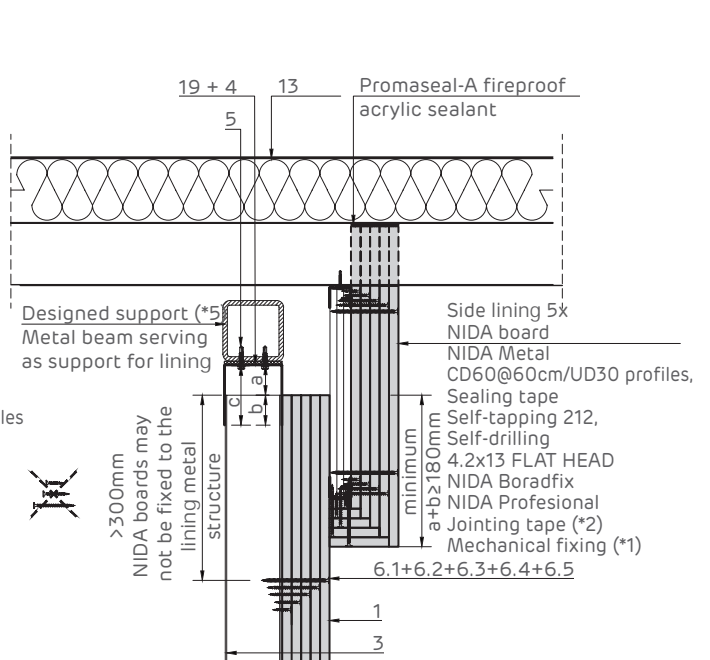
**NOTE:**

- (iv) For the last plasterboard layer, it is not acceptable to make a joint in front of the specified upright.
- (v) In the case of lining longer than 15 m, a vertical joint should be made every 10 m of the system; The joint should also be placed in front of structural joints.
- \* The size of the joint will also be determined by the size of the structural joint

Detailed attachment at the top on roof profiled sheet - Direct fixing. System parallel to the sheet ribs. Vertical section



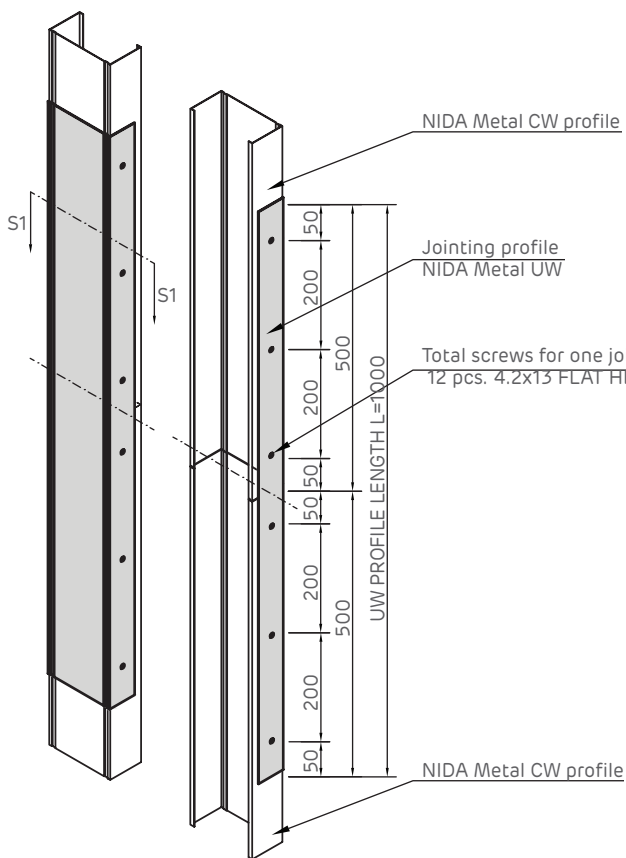
Detailed attachment at the top to the roof profiled sheet - Attachment to designed support (\*5). System perpendicular to the profiles. Vertical section



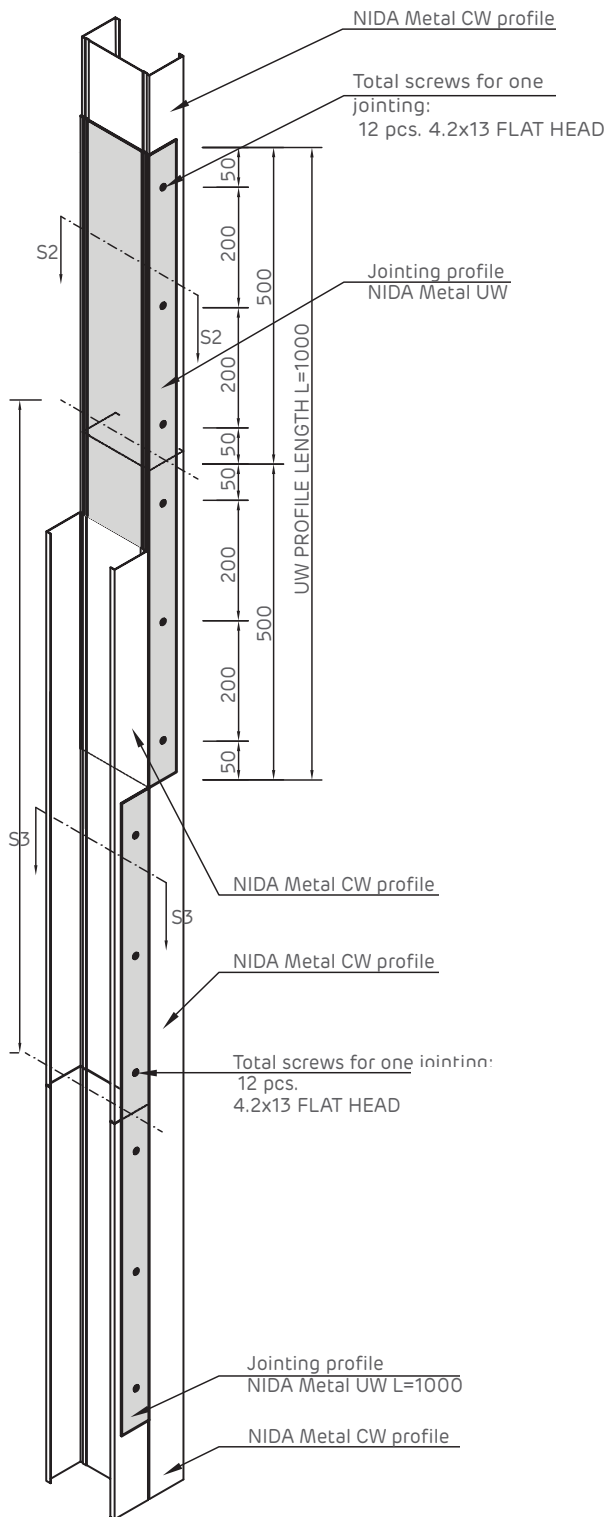
- 1 5x Siniat plasterboard
- 2 NIDA Metal UW runner profile
- 3 NIDA Metal CW stud
- 3.1 Double NIDA Metal CW-H upright profiles
- 4 Single-sided sealing tape
- 5 Mechanical fixing - Max. pitch 500 mm (\*1)
- 6.1 Self-tapping screw 212xL1 @ 600
- 6.2 Self-tapping screw 212xL2 @ 600
- 6.3 Self-tapping screw 212xL3 @ 600
- 6.4 Self-tapping screw 212xL4 @ 600
- 6.5 Self-tapping screw 212xL5 @ 300
- 7 Jointing tape (\*2)

- 8 NIDA Professional jointing plaster
- 9 Self-drilling screw 5.5x25- 2 pcs/fastening
- 10 Corner iron 200x40x40x2 mm
- 11 Mechanical fixing (\*1) 1 pc/fastening
- 12 NIDA Boardfix
- 13 Stiff support (reinforced concrete/brickwork/wood/etc.)
- 14 Corner protection profile
- 15 Self-drilling screw 4.2x13 FLAT HEAD in zigzag@500mm
- 16 MOLLY @ 500 mm metal dowel
- 17 NIDA Metal CW end profile
- 18 Self-tapping screw 212xL5 + flat washer @500mm
- 19 NIDA Metal UD30 end profile

Joining detail of NIDA Metal CW single profiles.

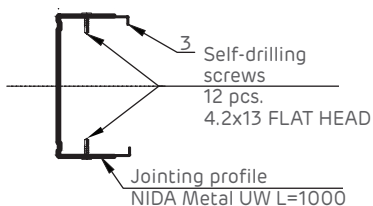


Joining detail of NIDA Metal CW double profiles.

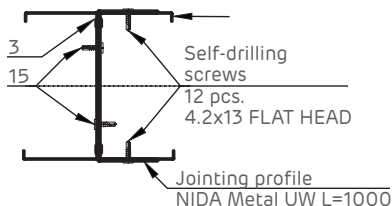


N°	NIDA Metal jointing profile	UW jointing profile length (mm)
1	UW 50	L=1000
2	UW 75	L=1500
3	UW 100	L=2000

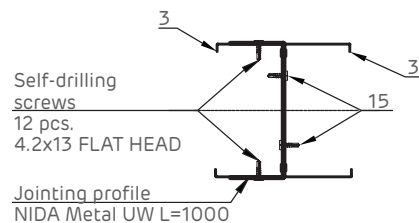
Section S1



Section S2

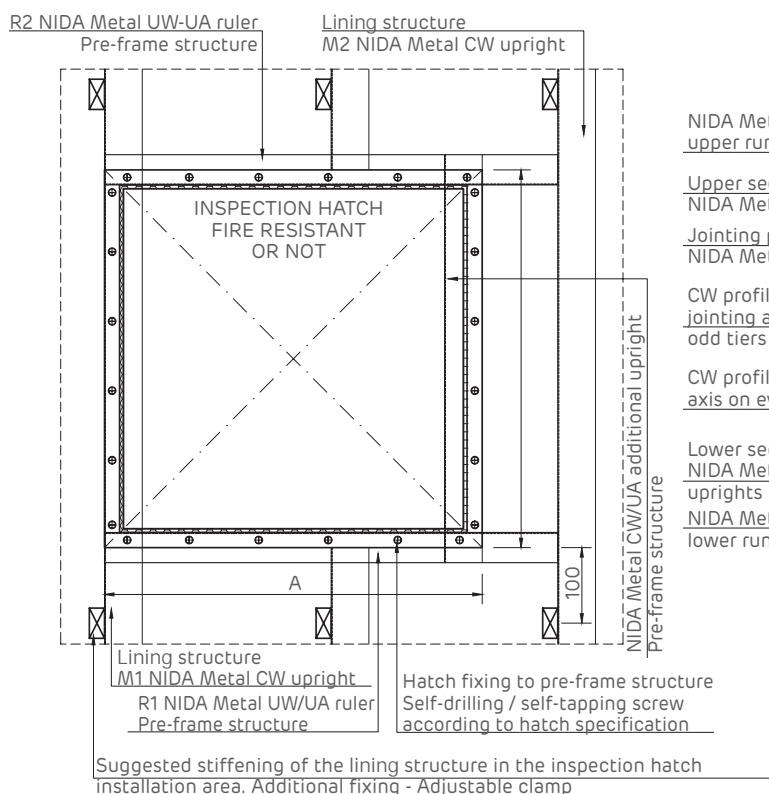


Section S3





Access hatch elevation.



NOTE (\*):

The pre-frame structure (Rulers R1, R2 + Uprights M1, M2) used for fixing the hatch will be sized according to the following points:

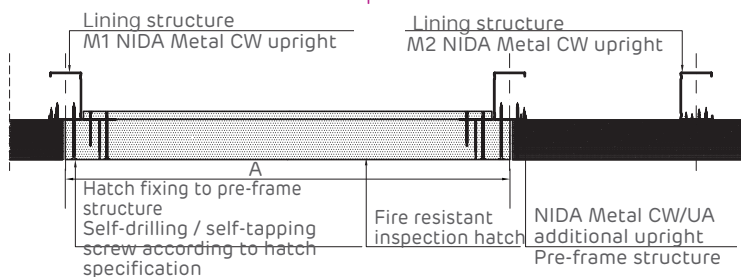
- Hatch sizes (A, B)
- Hatch weight
- Lining height and configuration

M1, M2 uprights design options: CW, CW - H, UA, UA - H, UA strong box type

R1, R2 rulers design options: UW, UW strong box type, UA strong box type

If the NIDA System lining is intended to be fire resistant from both directions, then the installed hatch shall also be fire resistant from both directions.

Horizontal section of the inspection hatch.

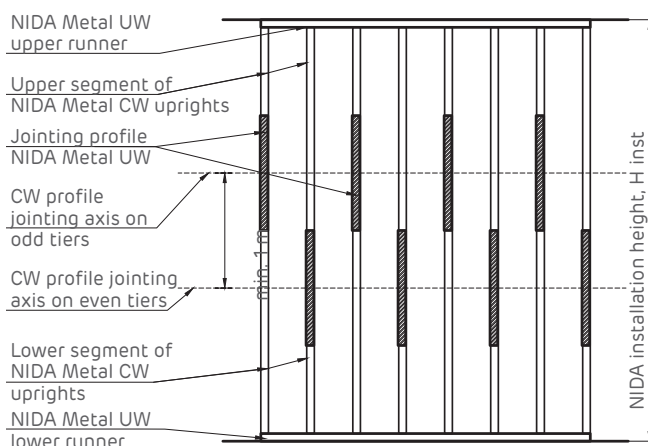


NOTE:

The detail presented is general in nature and focuses on the stiffening of the structure in the hatch installation area. It will be customised according to the model of hatch to be installed in the NIDA system

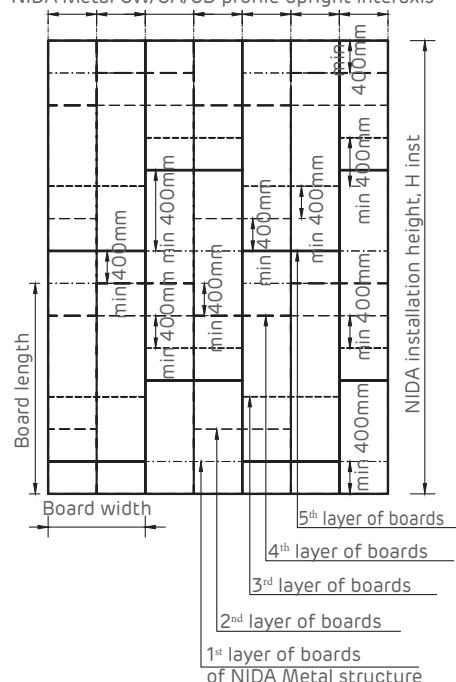
- |  |  |
|--|--|
| 1 5x Siniat plasterboard                     | 8 NIDA Professional jointing plaster                       |
| 2 NIDA Metal UW runner profile               | 9 Self-drilling screw 5.5x25- 2 pcs/fastening              |
| 3 NIDA Metal CW stud                         | 10 Corner iron 200x40x40x2 mm                              |
| 3.1 Double NIDA Metal CW-H upright profiles  | 11 Mechanical fixing (*1) 1 pc/fastening                   |
| 4 Single-sided sealing tape                  | 12 NIDA Boardfix   |
| 5 Mechanical fixing - Max. pitch 500 mm (*1) | 13 Stiff support (reinforced concrete/brickwork/wood/etc.) |
| 6.1 Self-tapping screw 212xL1 @ 600          | 14 Corner protection profile                               |
| 6.2 Self-tapping screw 212xL2 @ 600          | 15 Self-drilling screw 4.2x13 FLAT HEAD in zigzag@500mm    |
| 6.3 Self-tapping screw 212xL3 @ 600          | 16 MOLLY @ 500 mm metal dowel                              |
| 6.4 Self-tapping screw 212xL4 @ 600          | 17 NIDA Metal CW end profile                               |
| 6.5 Self-tapping screw 212xL5 @ 300          | 18 Self-tapping screw 212xL5 + flat washer @500mm          |
| 7 Jointing tape (*2)                         | 19 NIDA Metal UD30 end profile                             |

NIDA Metal CW profile joint staggering. System elevation.



Board staggering. System elevation. Vertical and horizontal joints should be staggered to avoid overlap.

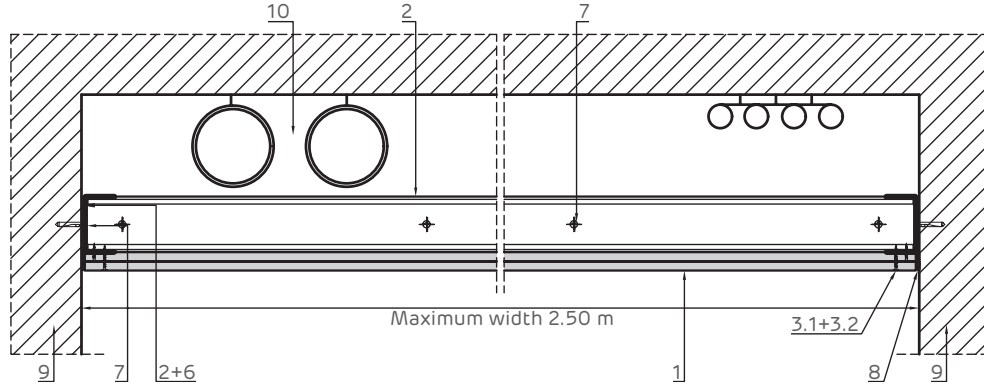
NIDA Metal CW/UA/CD profile upright interaxis



# NIDA System SH.W250

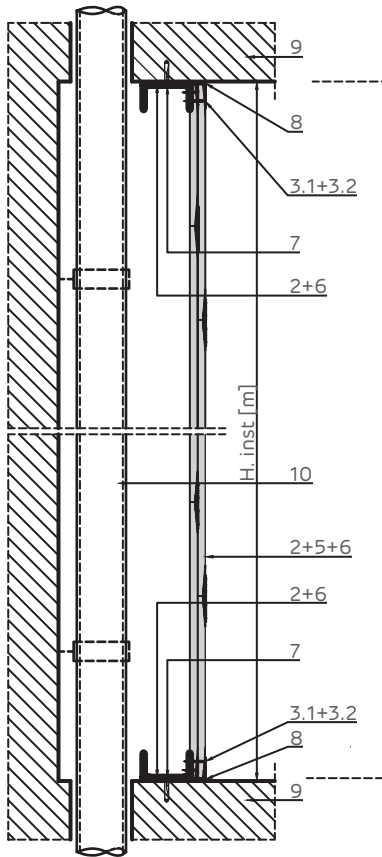
Shaft-walls with NIDA System SH.W250 double-layer lining on NIDA Metal CW/UW independent support structure

Horizontal section.

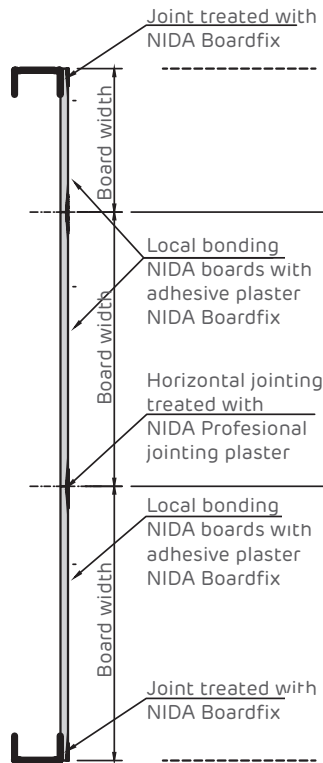


NIDA plasterboard mounting details.  
Joint staggering - Vertical section.

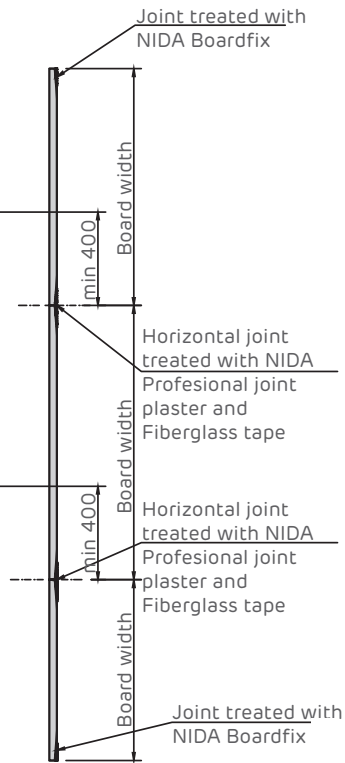
Vertical section



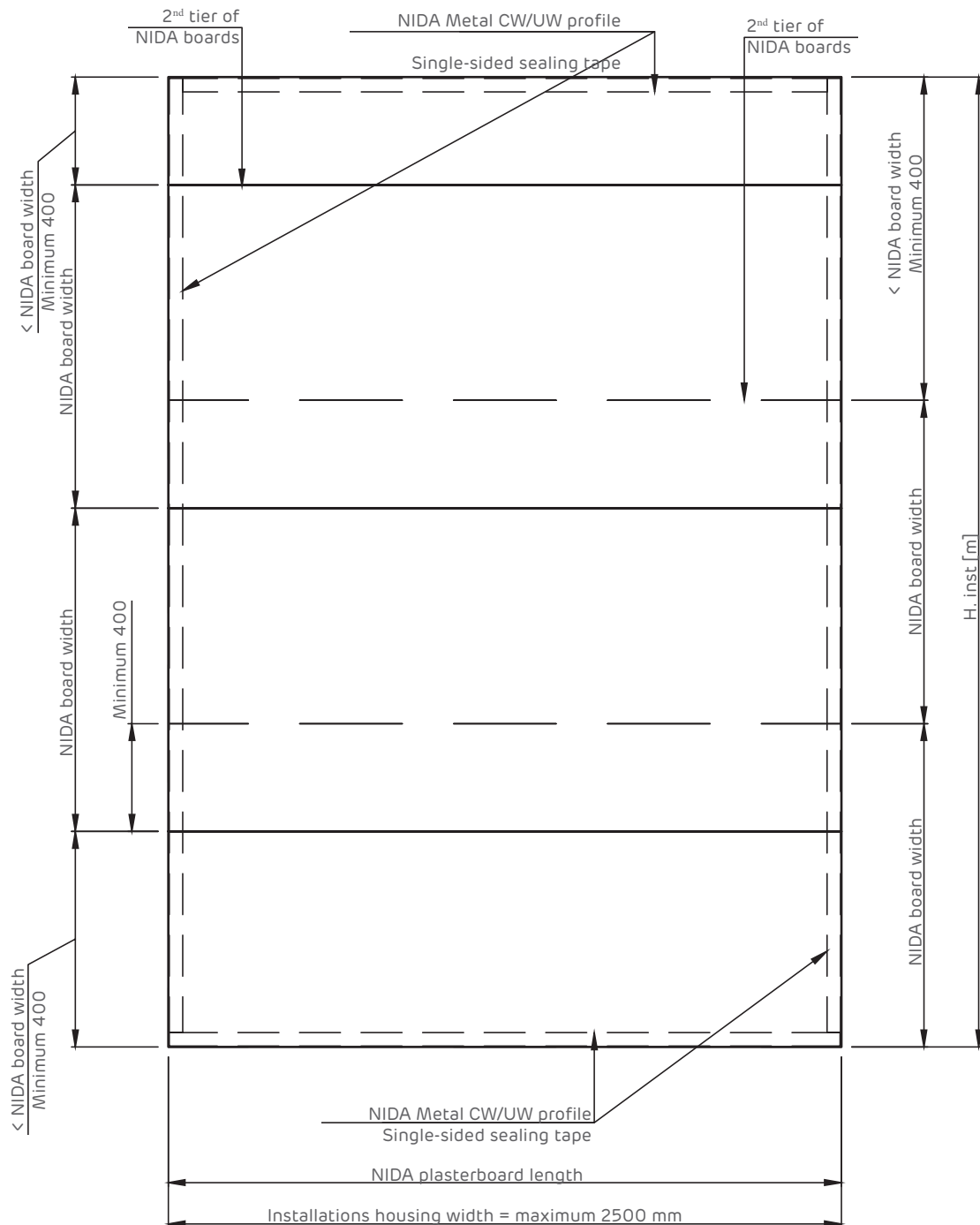
Mounting of tier n° 1  
of NIDA boards



Mounting of tier n° 2  
of NIDA boards



NIDA plasterboard mounting details. Joint stagger.  
Elevation.

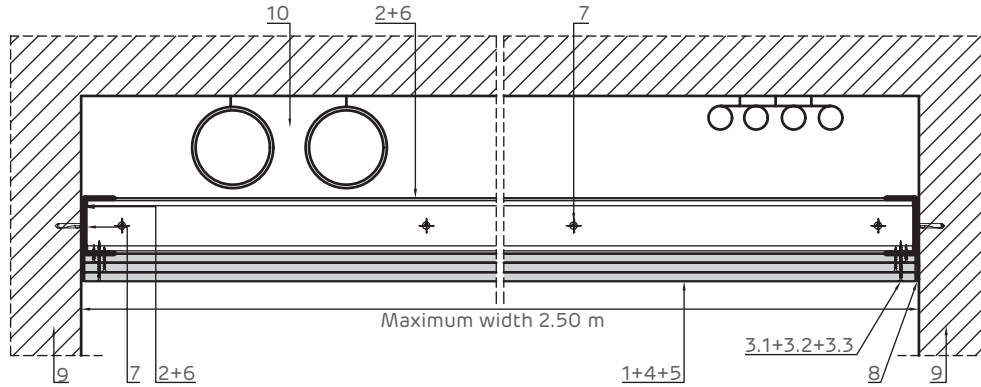


- |                                     |  |
|-------------------------------------|--|
| ① 2x Siniat plasterboard            | ⑥ Single-sided sealing tape  |
| ② NIDA Metal CW/UW profile          | ⑦ Mechanical fastening (*1) maximum pitch 500 mm (zigzag to the central axis of the profile) |
| ③.1 Self-tapping screw 212xL1 @ 600 | ⑧ NIDA Boardfix adhesive   |
| ③.2 Self-tapping screw 212xL2 @ 300 | ⑨ Stiff support (reinforced concrete/brickwork/wood/etc.)                                    |
| ④ Jointing tape (*2)                | ⑩ Technical space/installations housing  |
| ⑤ NIDA Profesional jointing plaster |  |

# NIDA System SH.W250

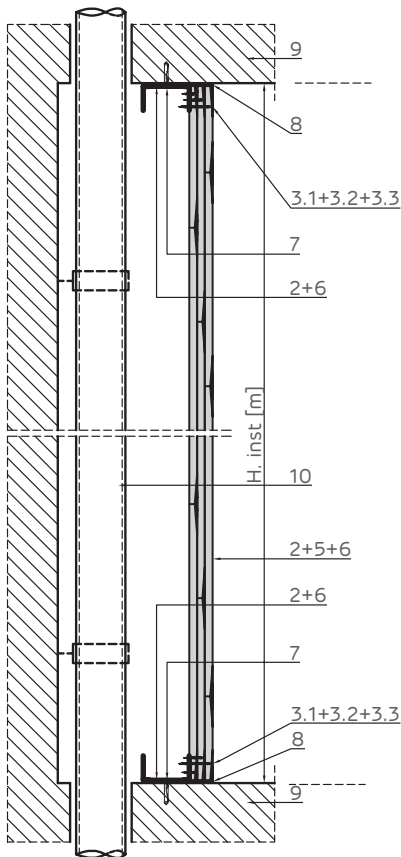
Shaft-walls with NIDA System SH.W250 triple-layer lining on NIDA Metal CW/UW independent support structure

Horizontal section.



NIDA plasterboard mounting details. Joint staggering - Vertical section.

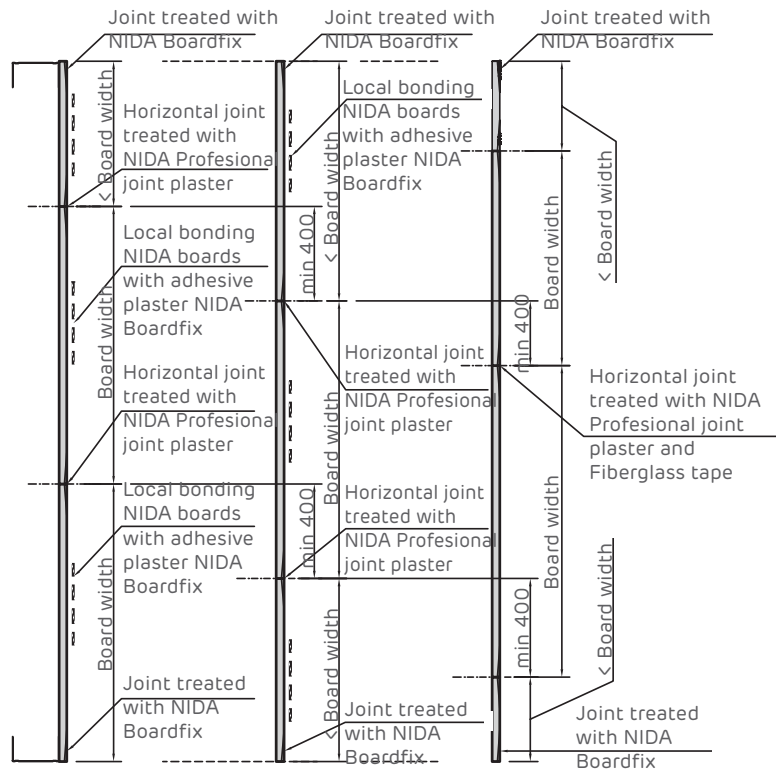
Vertical section



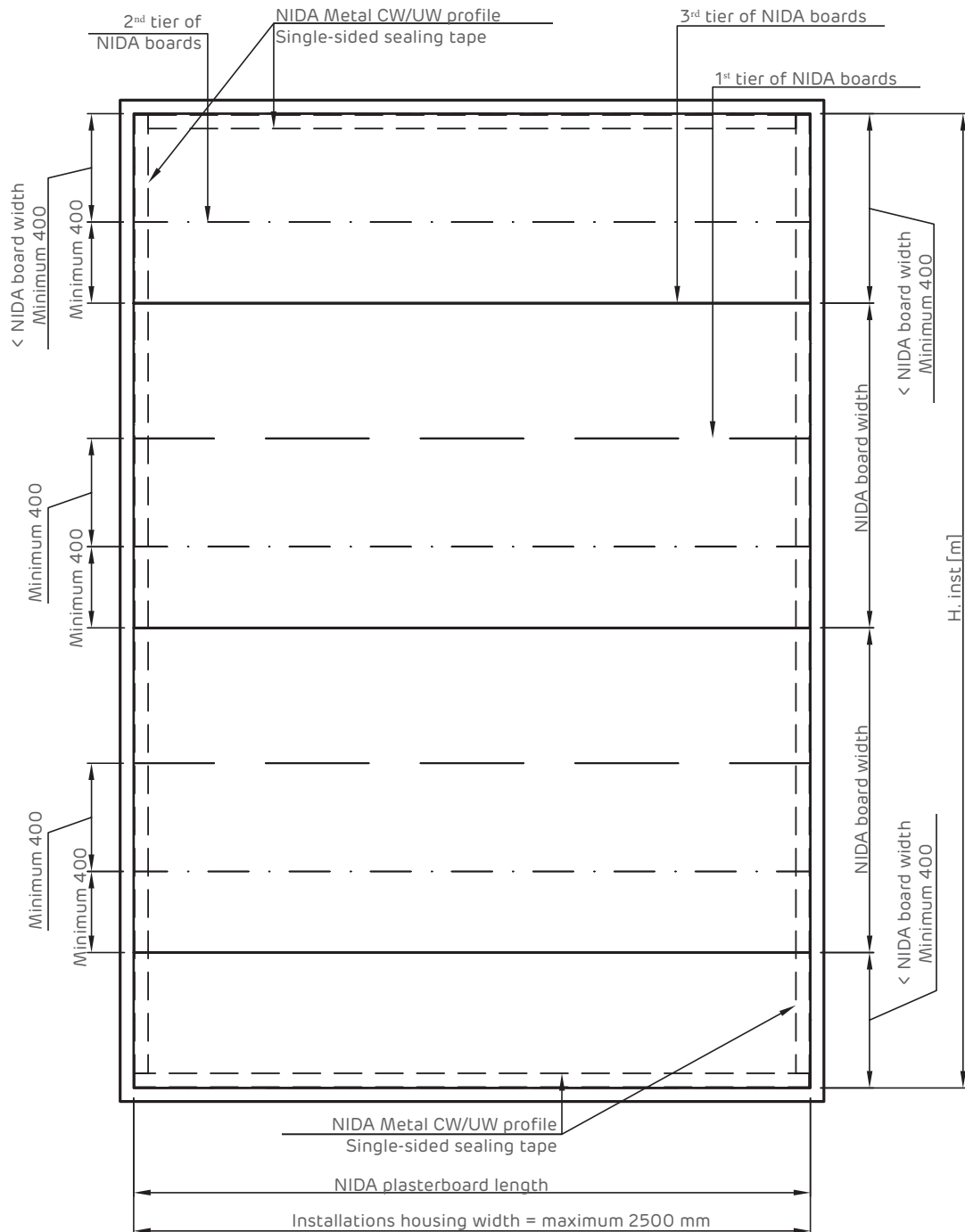
Mounting of tier n° 1 of NIDA boards

Mounting of tier n° 2 of NIDA boards

Mounting of tier n° 3 of NIDA boards



NIDA plasterboard mounting details. Joint stagger.  
Elevation.

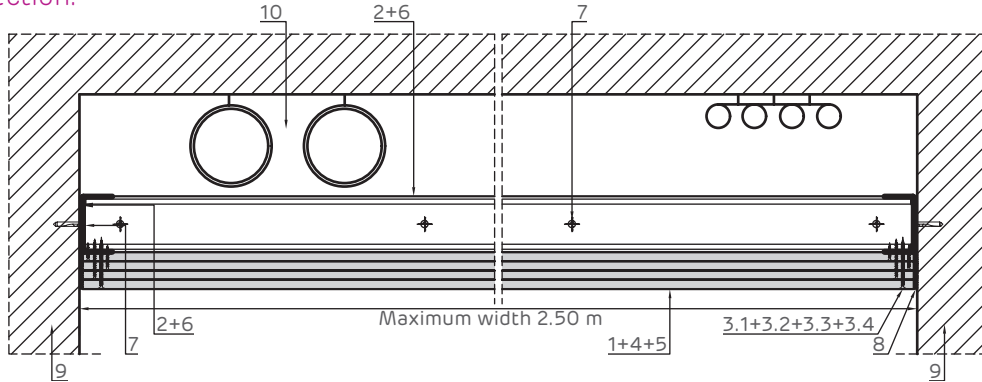


- |     |                                   |    |  |
|-----|-----------------------------------|----|--|
| 1   | 3x Siniat plasterboard            | 6  | Single-sided sealing tape  |
| 2   | NIDA Metal CW/UW profile          | 7  | Mechanical fastening (*1) maximum pitch 500 mm (zigzag to the central axis of the profile) |
| 3.1 | Self-tapping screw 212xL1 @ 600   | 8  | NIDA Boardfix adhesive   |
| 3.2 | Self-tapping screw 212xL2 @ 600   | 9  | Stiff support (reinforced concrete/brickwork/wood/etc.)                                    |
| 3.3 | Self-tapping screw 212xL3 @ 300   | 10 | Technical space/installations housing  |
| 4   | Jointing tape (*2)                |    |  |
| 5   | NIDA Profesional jointing plaster |    |  |

# NIDA System SH.W250

Shaft-walls with NIDA System SH.W250 four-layer lining on NIDA Metal CW/UW independent support structure

Horizontal section.



NIDA plasterboard mounting details.  
Joint staggering - Vertical section.

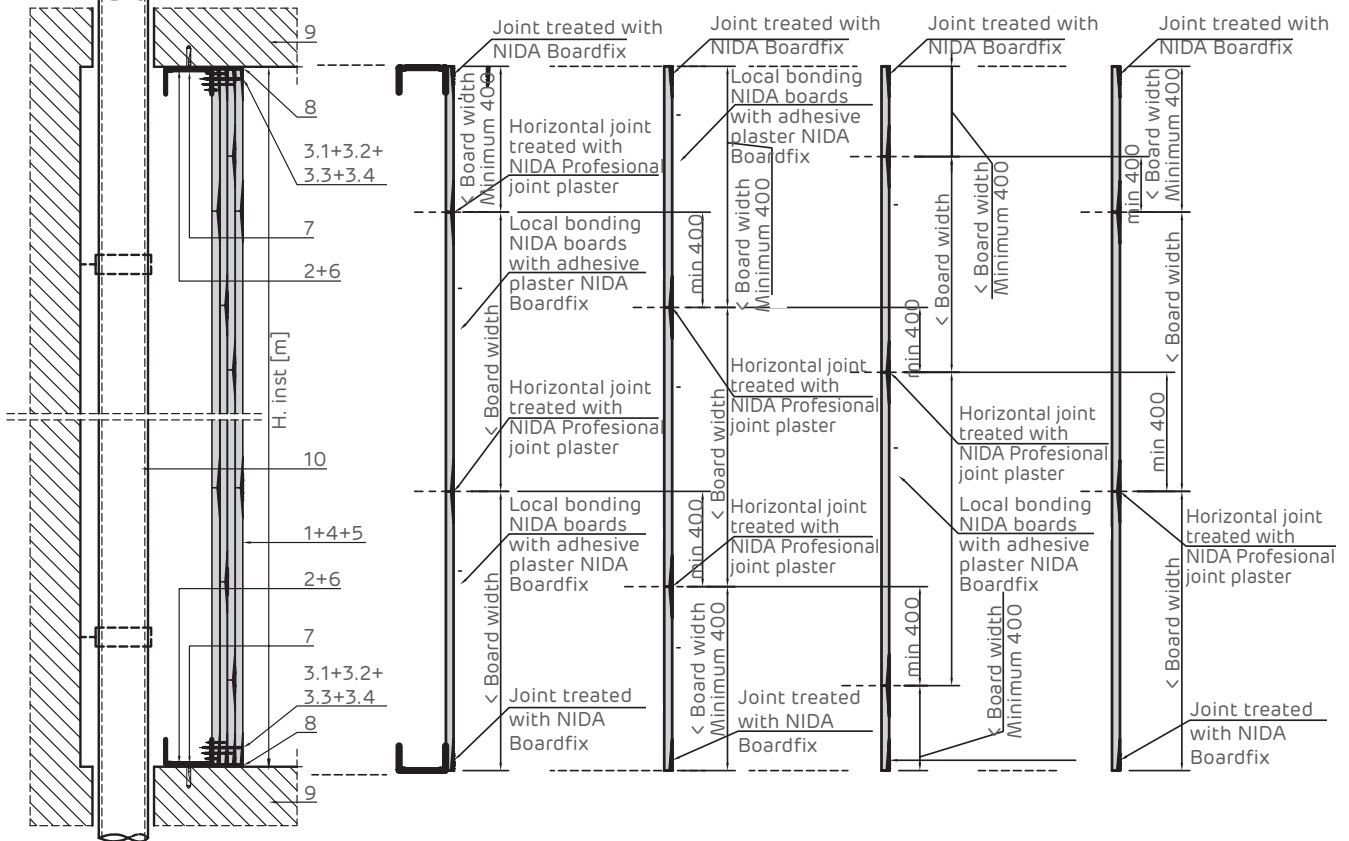
Vertical section

Mounting of tier n° 1 of NIDA boards

Mounting of tier n° 2 of NIDA boards

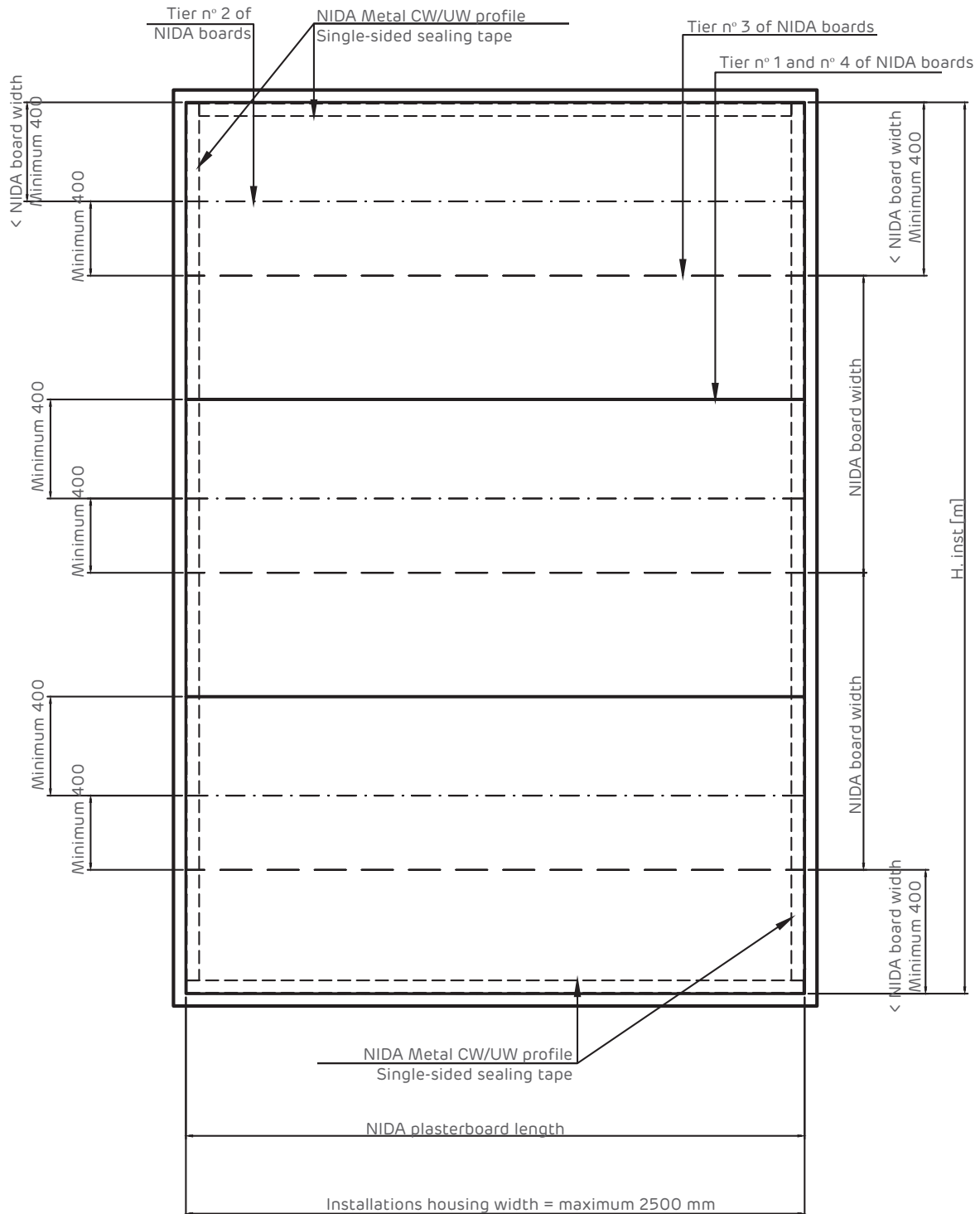
Mounting of tier n° 3 of NIDA boards

Mounting of tier n° 4 of NIDA boards





NIDA plasterboard mounting details. Joint stagger.  
Elevation.

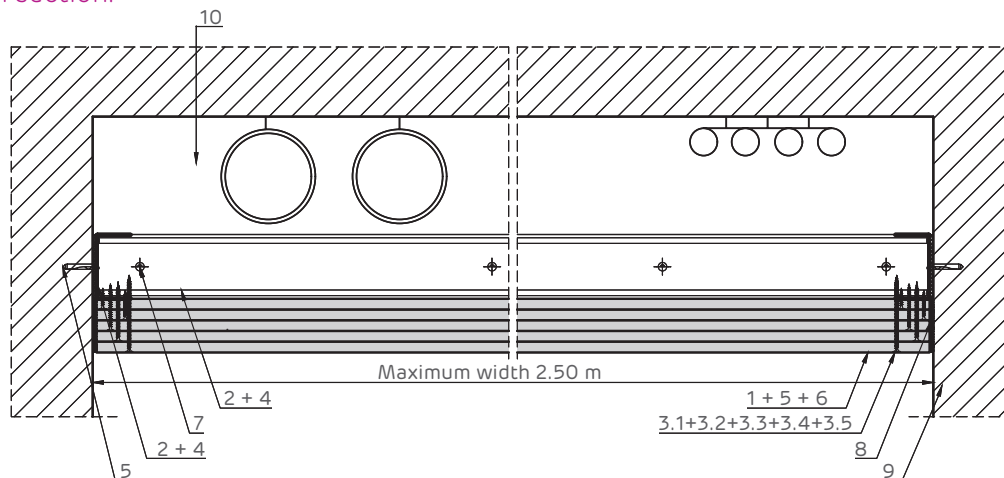


- |     |                                 |    |  |
|-----|---------------------------------|----|--|
| 1   | 4x Siniat plasterboard          | 5  | NIDA Profesional jointing plaster  |
| 2   | NIDA Metal CW/UW profile        | 6  | Single-sided sealing tape  |
| 3.1 | Self-tapping screw 212xL1 @ 600 | 7  | Mechanical fastening (*1) maximum pitch 500 mm (zigzag to the central axis of the profile) |
| 3.2 | Self-tapping screw 212xL2 @ 600 | 8  | NIDA Boardfix adhesive   |
| 3.3 | Self-tapping screw 212xL3 @ 600 | 9  | Stiff support (reinforced concrete/brickwork/wood/etc.)                                    |
| 3.4 | Self-tapping screw 212xL4 @ 300 | 10 | Technical space/installations housing  |
| 4   | Jointing tape (*2)              |    |  |

## NIDA System SH.W250

NIDA System SH.W250 five-layer lining  
on NIDA Metal CW/UW structure

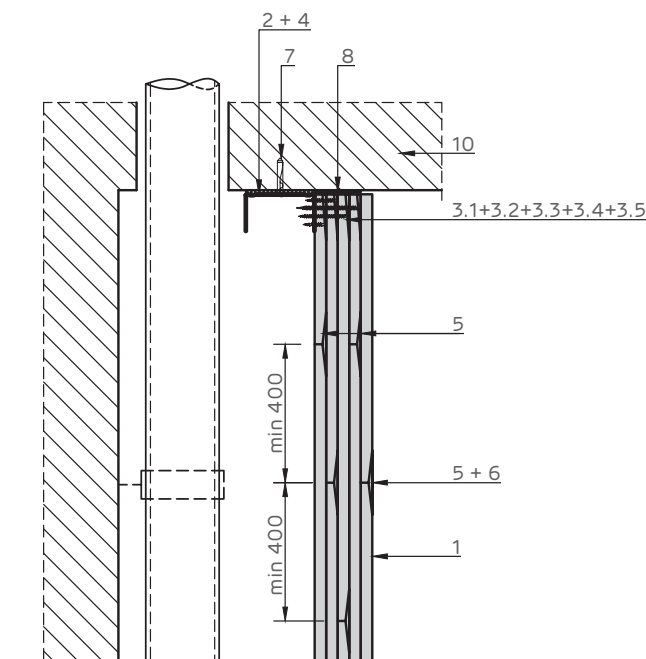
Horizontal section.



**NOTE:**

NIDA plasterboards are to be mounted long-sided horizontally, using one-piece boards!!!  
Vertical joints between plasterboards are not allowed in the field area of the lining!!!

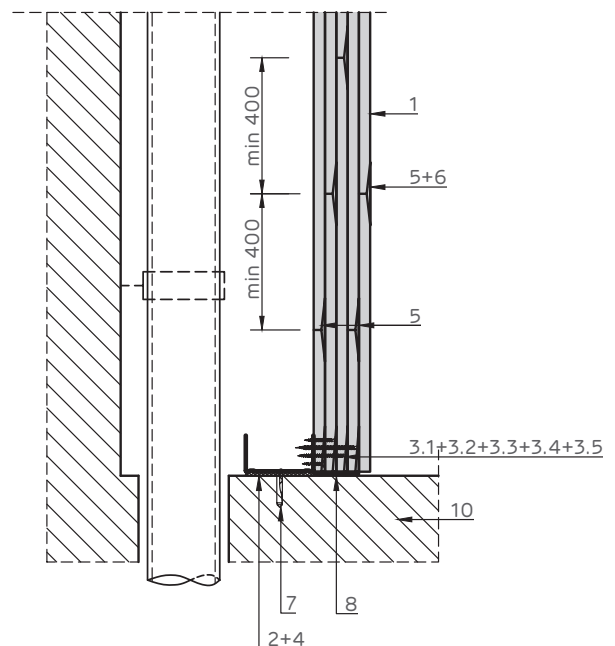
Mounting details Attachment at the top  
Vertical section



**NOTE:**

NIDA plasterboards are to be mounted long-sided horizontally, using one-piece boards!!!  
Vertical joints between plasterboards are not allowed in the field area of the lining!!!

Mounting details Attachment at the bottom.  
Vertical section

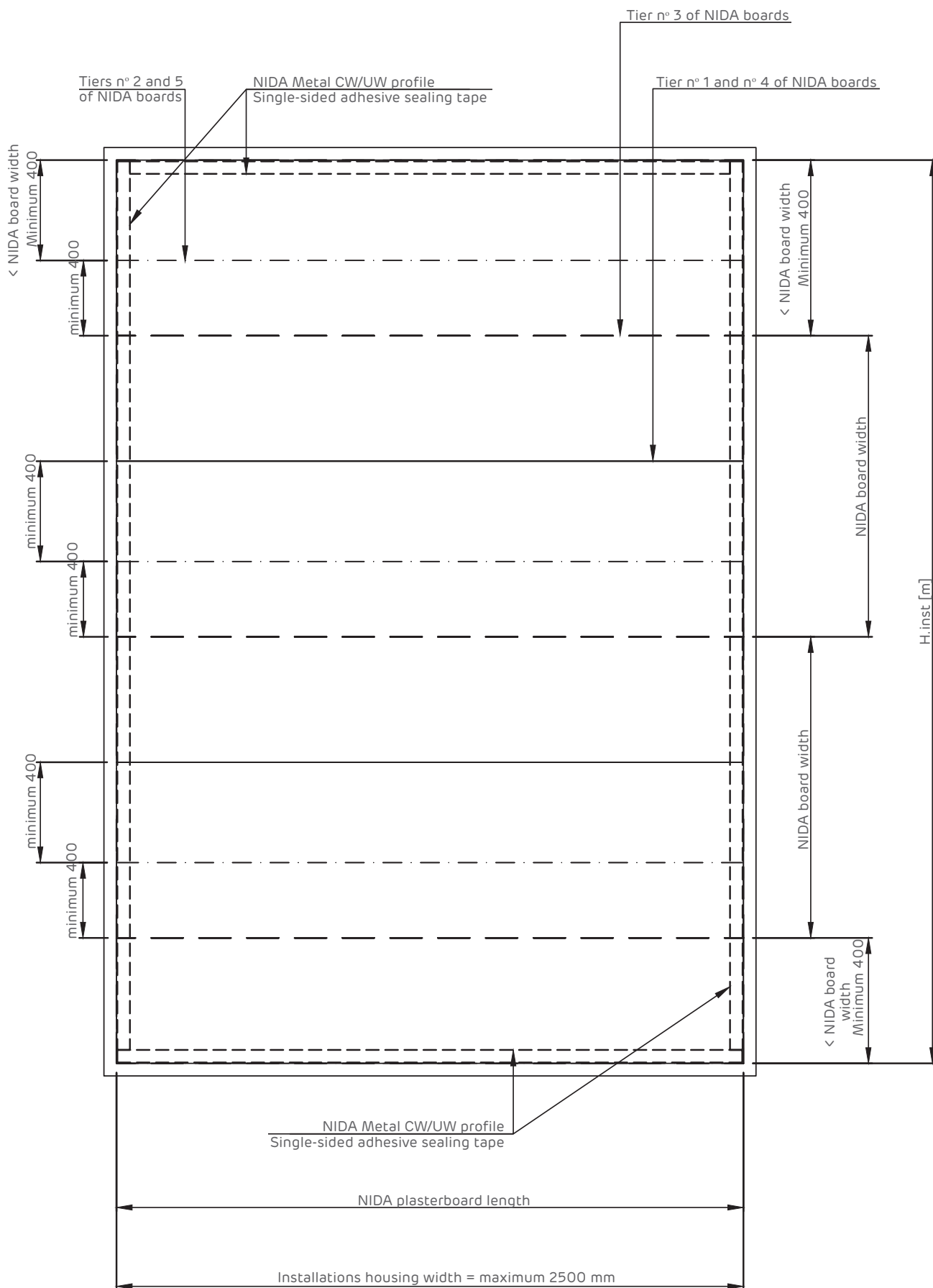


- ① 5x Siniat plasterboard locally bonded with Boardfix
- ② NIDA Metal CW/UW profile
- ③.1 Self-tapping screw 212xL1 @ 600
- ③.2 Self-tapping screw 212xL2 @ 600
- ③.3 Self-tapping screw 212xL3 @ 600
- ③.4 Self-tapping screw 212xL4 @ 600
- ③.5 Self-tapping screw 212xL5 @ 300
- ④ Jointing tape (\*2)

- ⑤ NIDA Profesional jointing plaster
- ⑥ Single-sided adhesive sealing tape
- ⑦ Mechanical fixing(\* 1) maximum 500 mm pitch  
(In zigzag to the profile centerline)
- ⑧ NIDA Boardfix adhesive
- ⑨ Stiff support (reinforced concrete/brickwork/wood/  
metal structure, ACC)
- ⑩ Technical space/installations housing



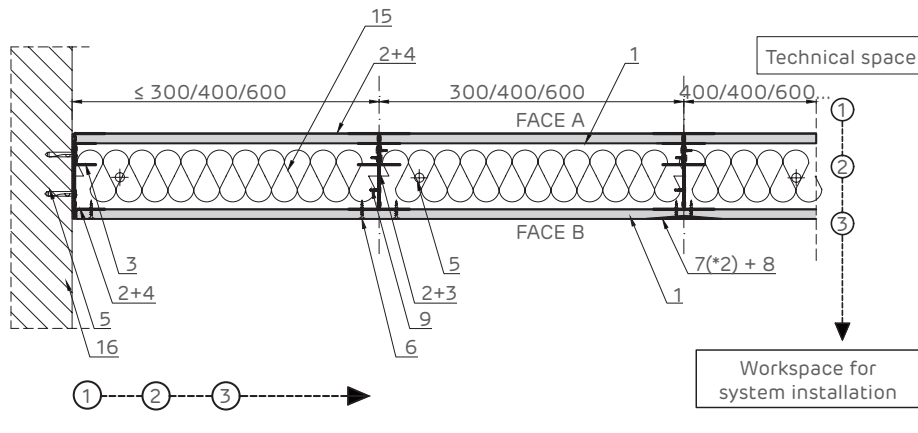
NIDA plasterboard mounting details. Joint stagger. Elevation.



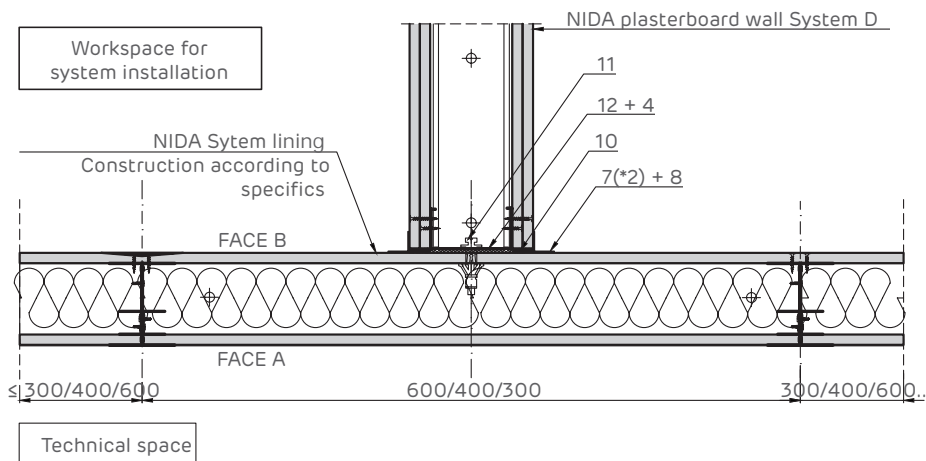
# NIDA System SH.UU

Shaft-walls with NIDA System SH.UU single-layer lining inwards and outwards on NIDA Metal UW/UD independent support structure

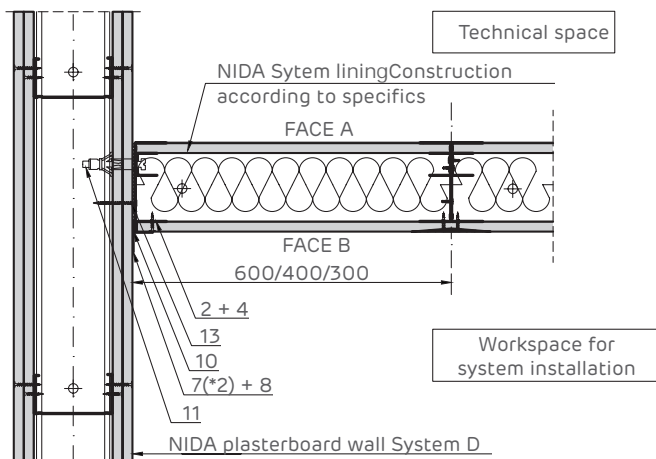
Horizontal section.



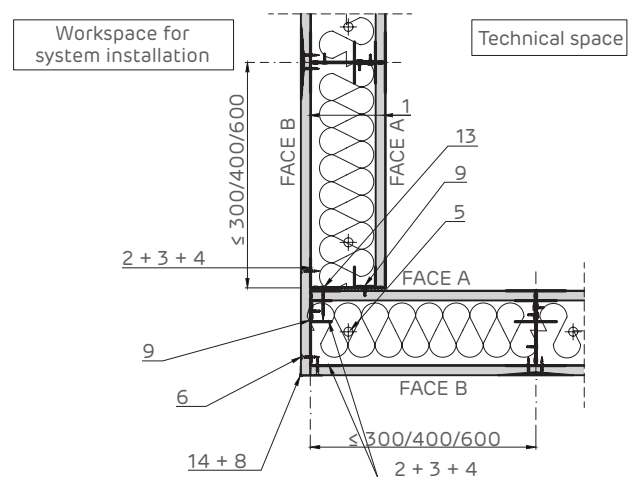
NIDA System T - Acoustic lining in wall system  
lining with single board layer on NIDA Metal UW/UD structure  
Horizontal section.



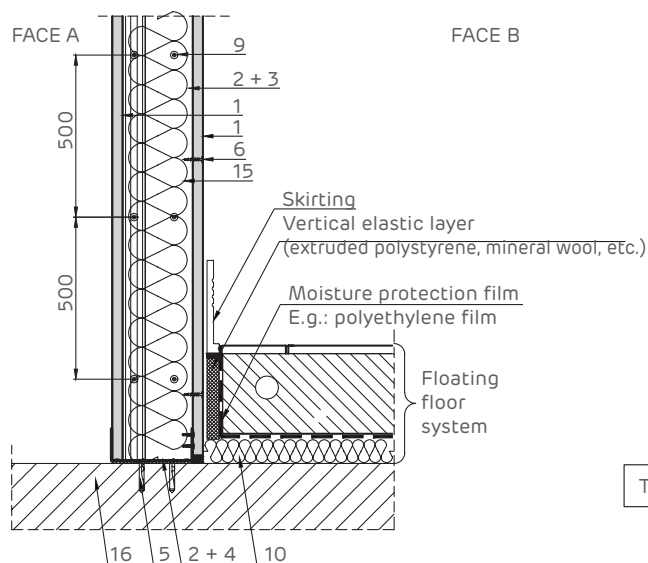
Lining crossing with D wall  
more resistant to fire.  
Horizontal section.



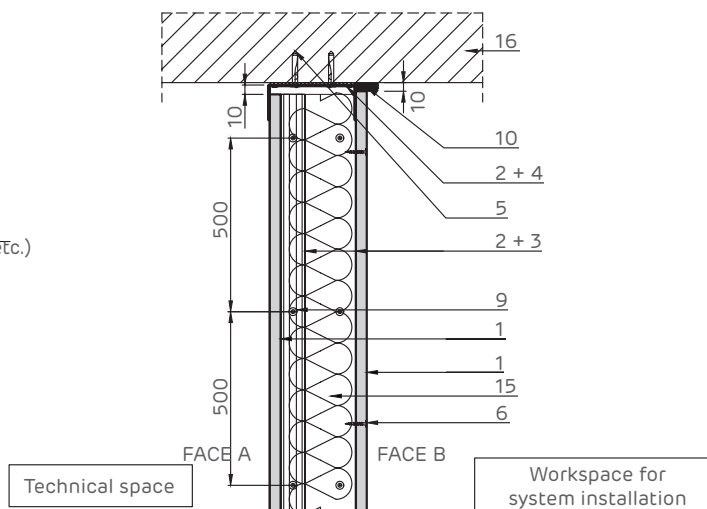
Corner detail  
Horizontal section.



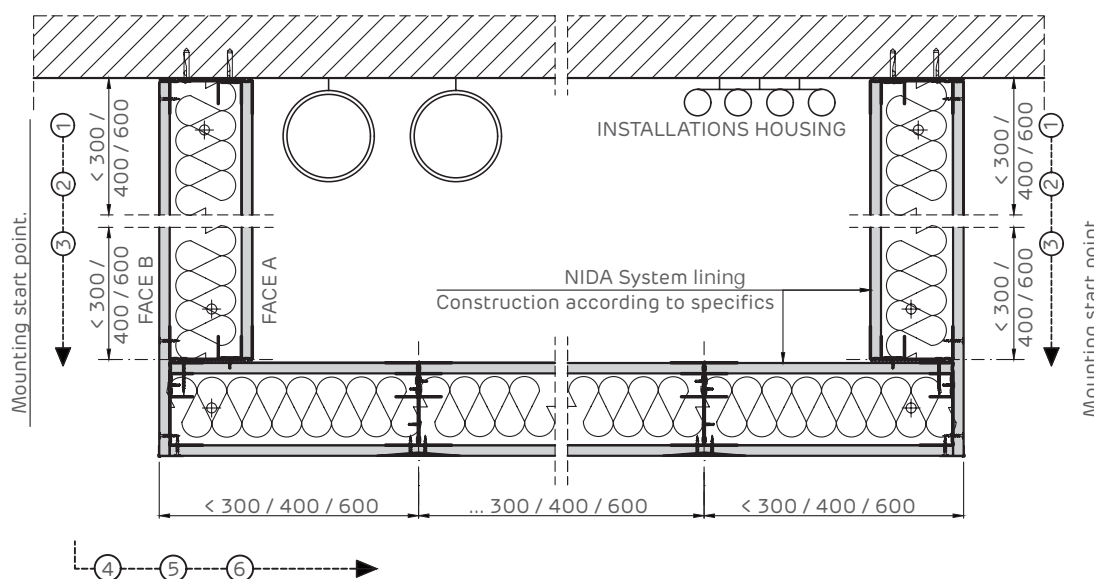
Detail of crossing with floating floor  
Vertical section



Detail of upper attachment to reinforced concrete slab  
Vertical section



Three-sided enclosing of installations housing.  
Horizontal section.

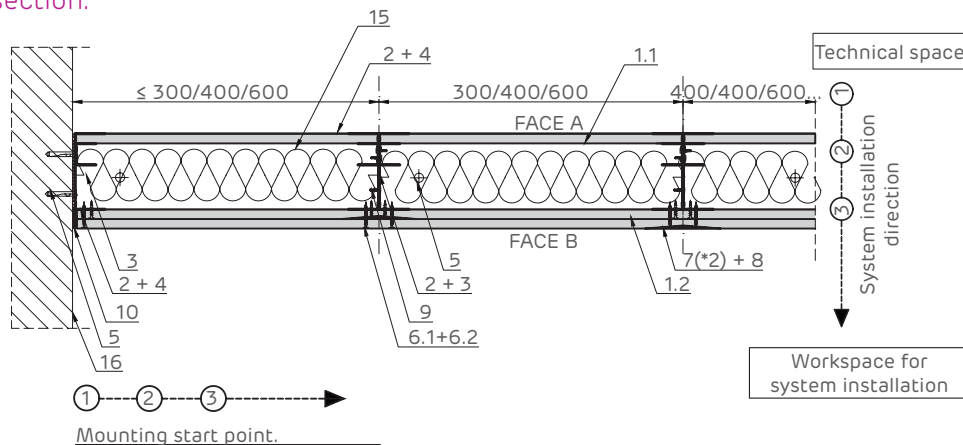


- |   |  |    |   |
|---|--|----|---|
| 1 | 1x Siniat plasterboard                                   | 9  | Self-drilling screw 4.2x13 FLAT HEAD laid out in zigzag at 500 mm pitch |
| 2 | NIDA Metal UW profile                                    | 10 | NIDA Boardfix   |
| 3 | NIDA Metal UD profile                                    | 11 | MOLLY @ 50 cm metal dowel   |
| 4 | Single-sided adhesive sealing tape                       | 12 | NIDA Metal CW upright   |
| 5 | Mechanical fixing (*1)<br>Layout at maximum 500 mm pitch | 13 | Self-tapping screw 212xL3 + flat washer @ 500 mm                        |
| 6 | Self-tapping screw 212xL1 @ 300                          | 14 | Corner protection profile   |
| 7 | Jointing tape (*2)                                       | 15 | Mineral wool  |
| 8 | NIDA Profesional jointing plaster                        | 16 | Stiff support (reinforced concrete/brickwork/wood/ etc.)                |

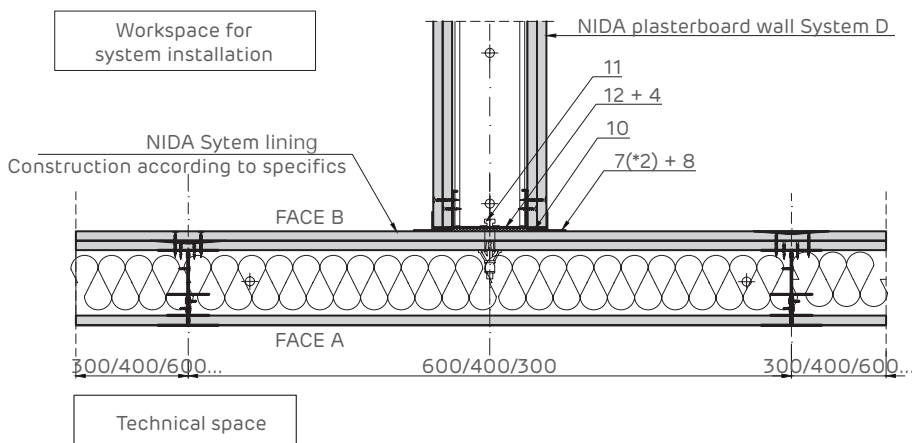
# NIDA System SH.UU

Shaft-wall with NIDA System SH.UU single-layer lining inwards and double-layer lining outwards on NIDA Metal UW/UD independent support structure

Horizontal section.

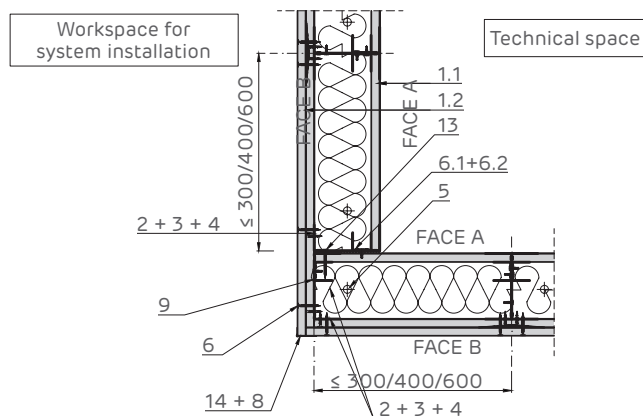
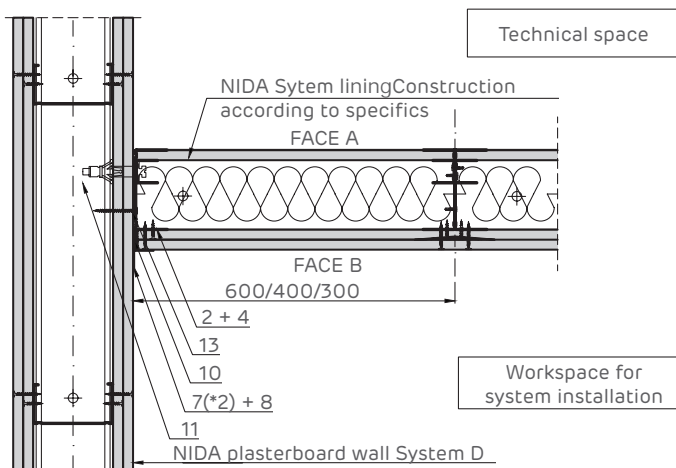


Lining crossing with D wall  
less resistant to fire or not resistant at all  
Horizontal section.

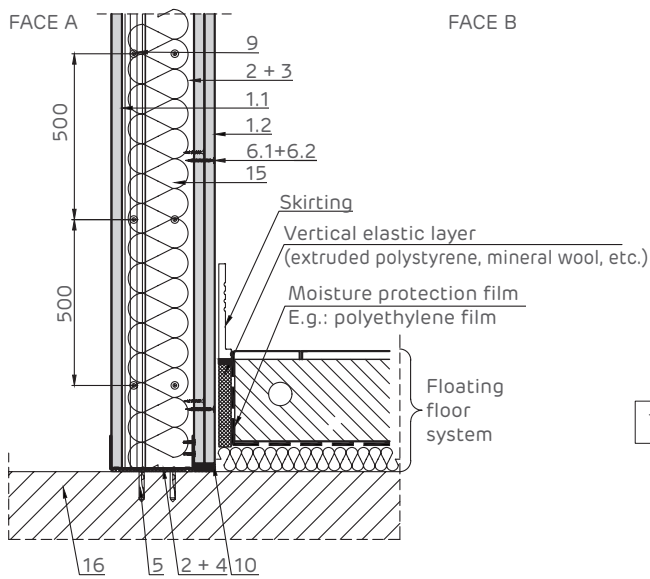


Lining crossing with D wall  
more resistant to fire.  
Horizontal section.

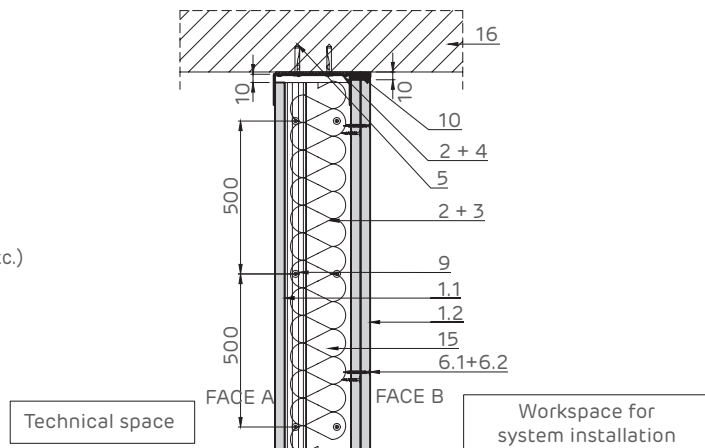
Corner detail  
Horizontal section.



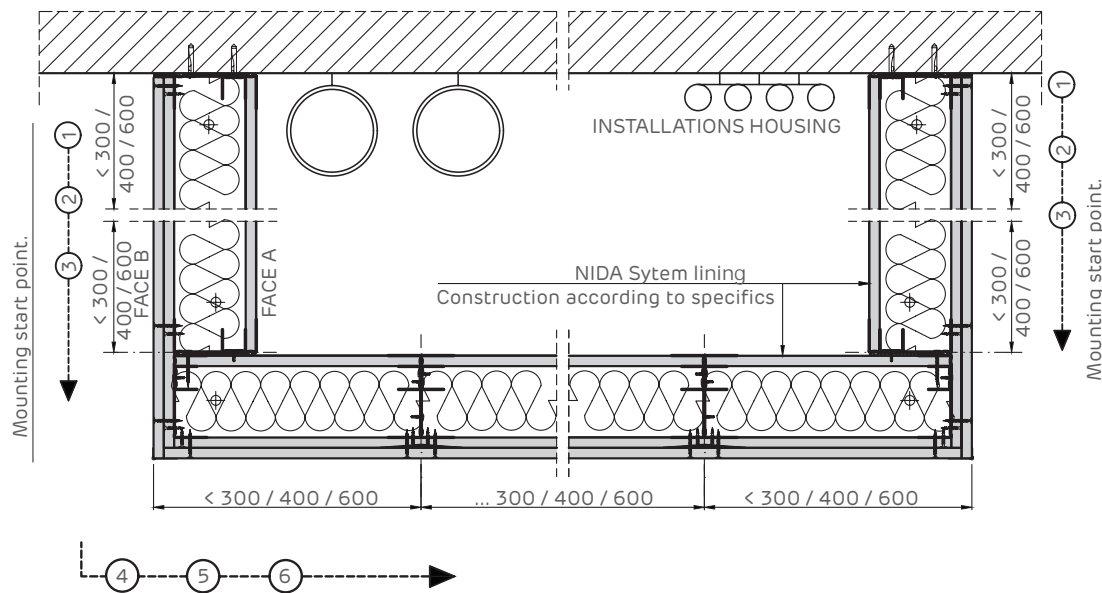
Detail of crossing with floating floor  
Vertical section



Detail of attachment at the top  
on reinforced concrete slab  
Vertical section



Three-sided enclosing of installations housing. Horizontal section.



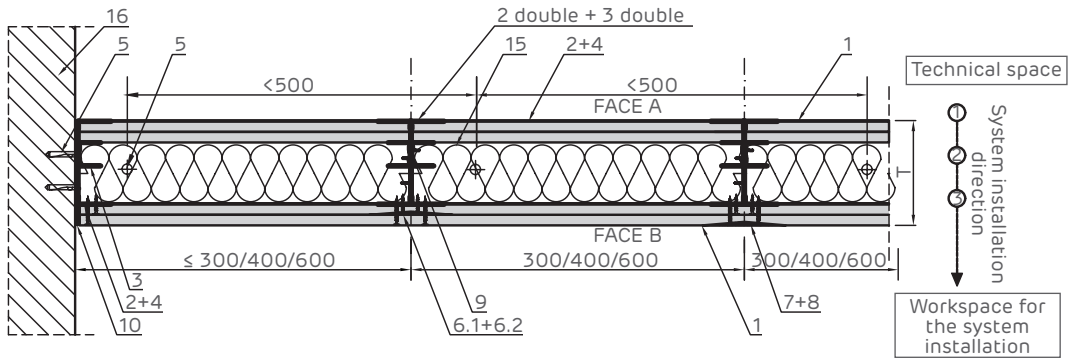
- |  |   |
|--|---|
| ① 1x Siniat plasterboard                                   | ⑧ NIDA Profesional jointing plaster                                       |
| ①.2 2x Siniat plasterboard                                 | ⑨ Self-drilling screw 4.2x13 FLAT HEAD laid out in zigzag at 500 mm pitch |
| ② NIDA Metal UW profile                                    | ⑩ NIDA Boardfix   |
| ③ NIDA Metal UD profile                                    | ⑪ MOLLY @ 50 cm metal dowel   |
| ④ Single-sided adhesive sealing tape                       | ⑫ NIDA Metal CW upright   |
| ⑤ Mechanical fixing (*1)<br>Layout at maximum 500 mm pitch | ⑬ Self-tapping screw 212xL3 + flat washer @ 500 mm                        |
| ⑥.1 Self-tapping screw 212xL1 @ 600                        | ⑭ Corner protection profile   |
| ⑥.2 Self-tapping screw 212xL2 @ 300                        | ⑮ Mineral wool  |
| ⑦ Jointing tape (*2)                                       | ⑯ Stiff support (reinforced concrete/brickwork/wood/etc.)                 |



# NIDA System SH.UU

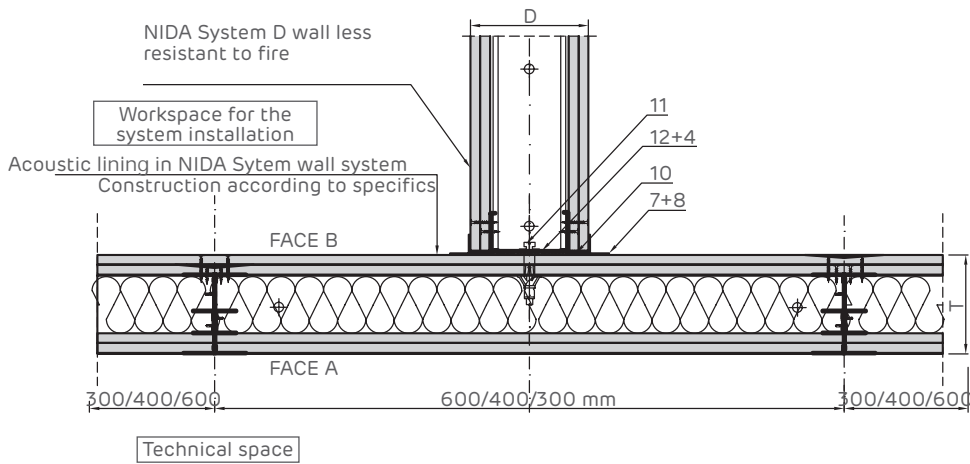
Shaft-wall with NIDA System SH.UU double-layer lining inwards and outwards on NIDA Metal UW/UD independent support structure

Horizontal section.



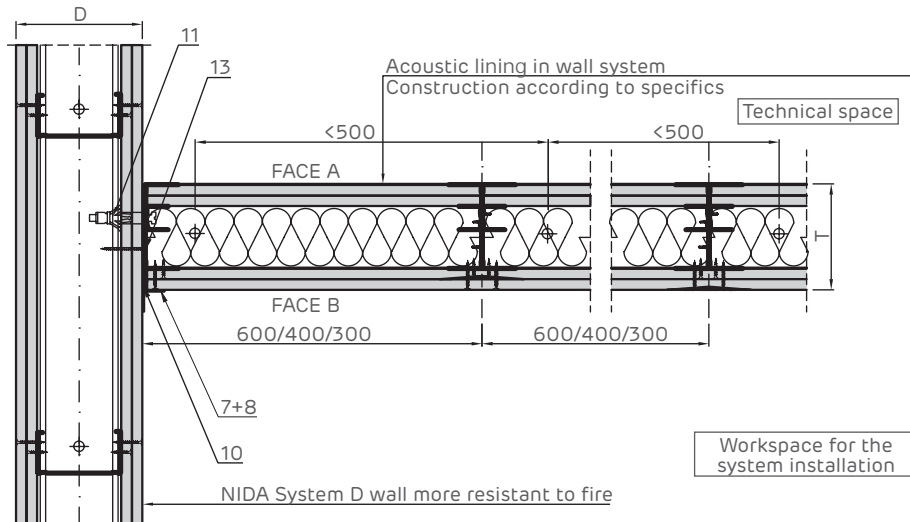
Lining crossing with D wall less resistant to fire.

Horizontal section.

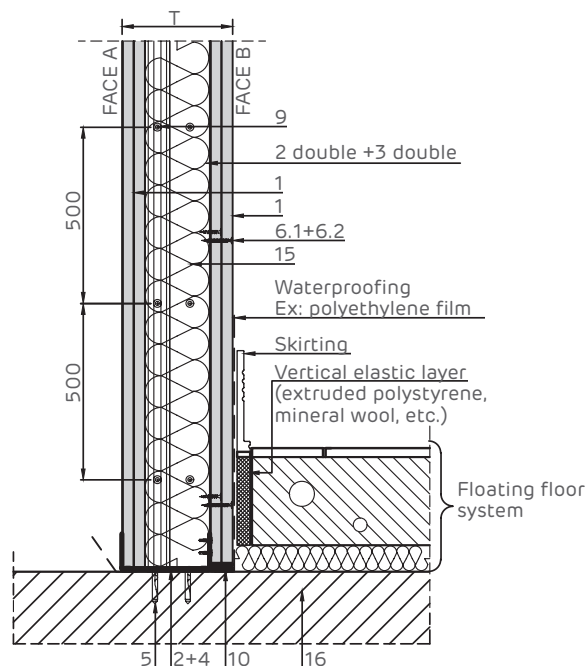


Lining crossing with D wall more resistant to fire.

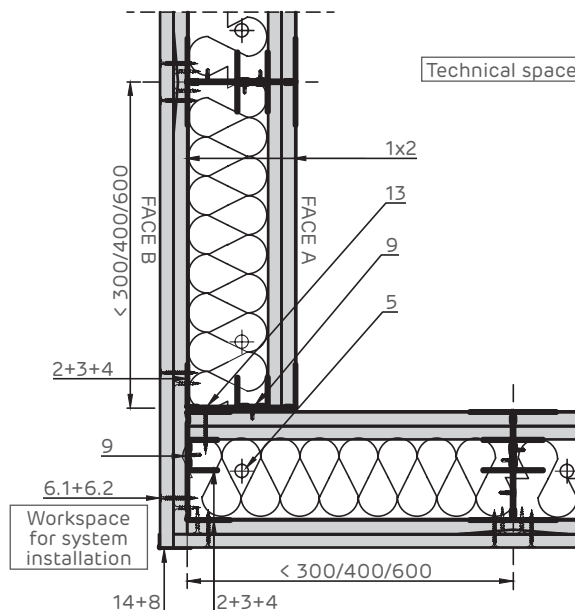
Horizontal section.



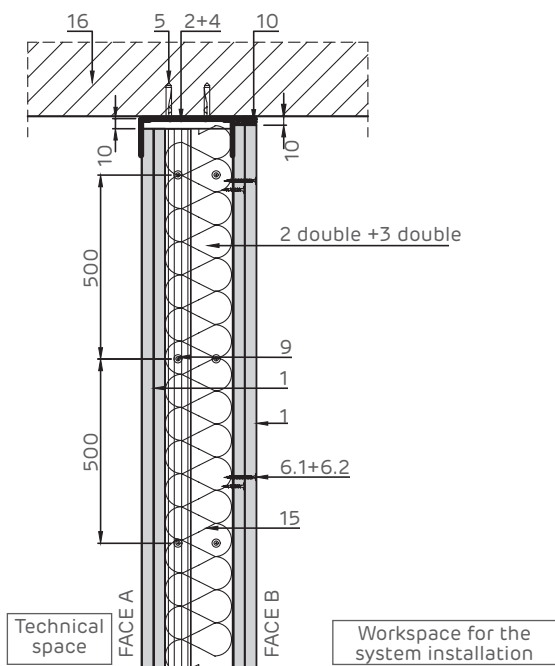
Detailed crossing with floating floor system.  
Vertical section at the bottom of the lining.  
For superior acoustic performance.



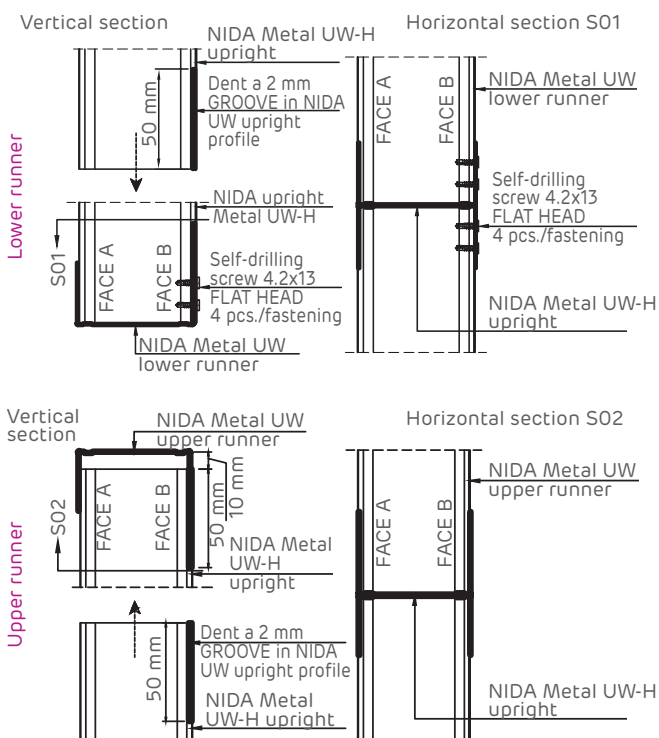
Corner detail  
Horizontal section.



Upper fastening detail on reinforced concrete slab.  
Vertical section



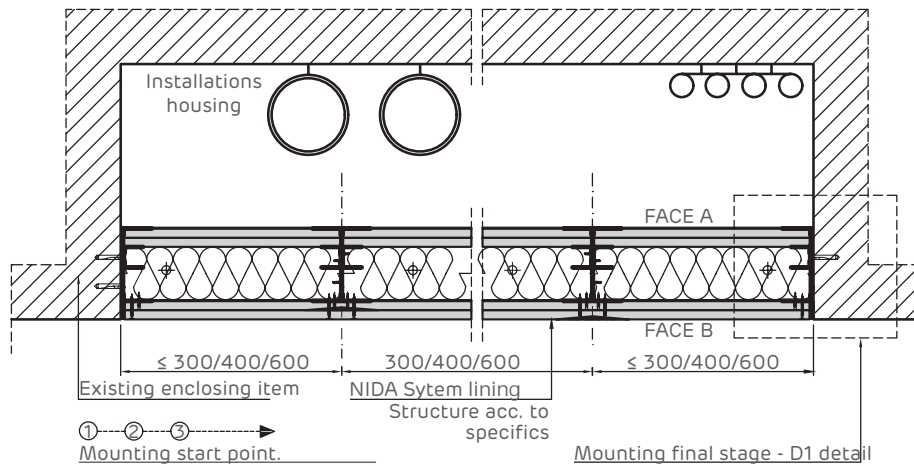
Details of fixing UW-H NIDA Metal uprights in the NIDA Metal UW runner.



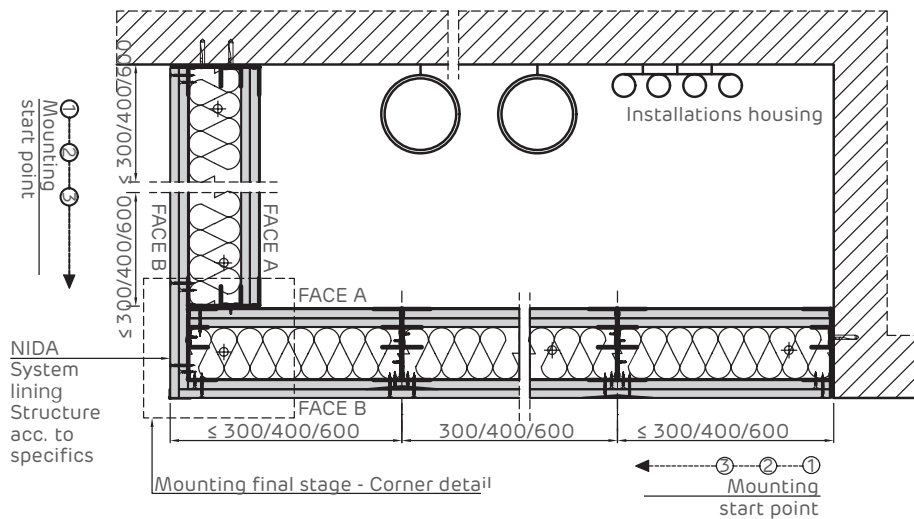
- 1 2x Siniat plasterboard
- 2 NIDA Metal UW profile
- 3 NIDA Metal UD profile
- 4 Single-sided sealing tape
- 5 Mechanical fixing - Max. pitch 500 mm (\*1)
- 6.1 Self-tapping screw 212xL1 @ 600
- 6.2 Self-tapping screw 212xL2 @ 300
- 7 Jointing tape (\*2)
- 8 NIDA Professional jointing plaster

- 9 Self-drilling screw 4.2x13 FLAT HEAD in zigzag@500mm
- 10 NIDA Boardfix
- 11 MOLLY @ 500 mm metal dowel
- 12 NIDA Metal CW upright
- 13 Self-tapping screw 212xL3 + flat washer @500mm
- 14 Corner protection profile
- 15 Mineral wool
- 16 Stiff support (reinforced concrete/brickwork/wood/ etc.)

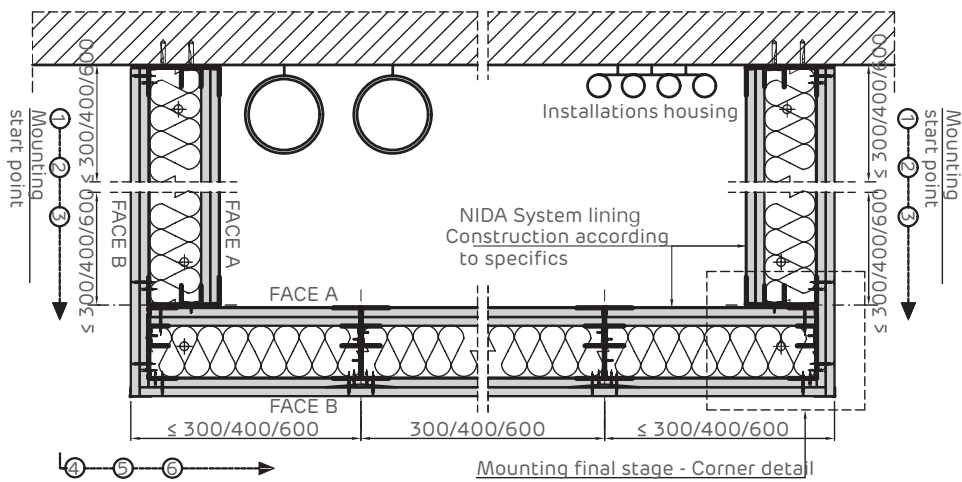
One-sided enclosing of installations housing Horizontal section.



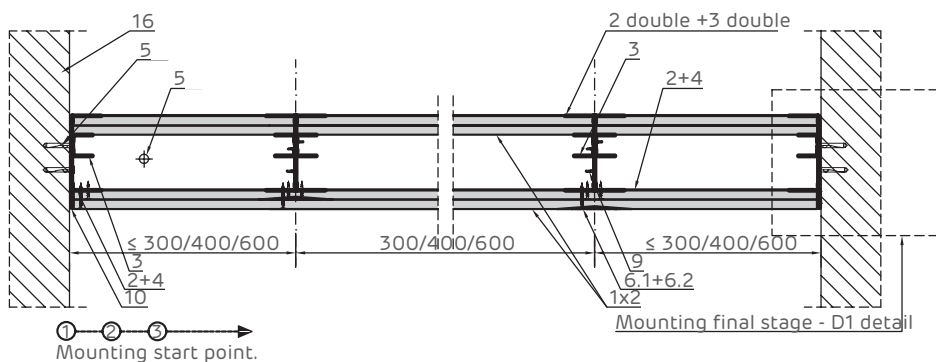
Two-sided enclosing of installations housing Horizontal section.



Two-sided enclosing of installations housing Horizontal section.

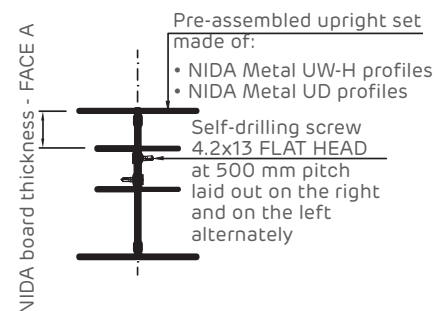


### System installation stages Horizontal section.

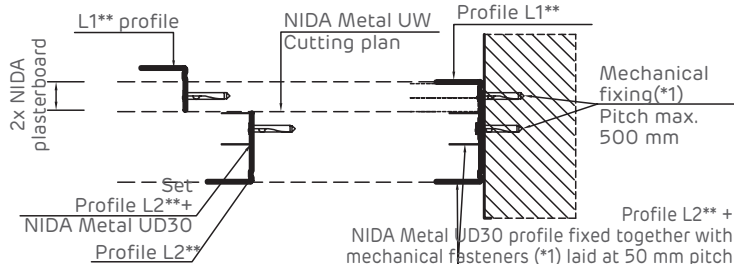


The system should be mounted from one end in the case of linear lining, fixed between two enclosing elements (e.g. brick wall, reinforced concrete). In the case of lining of technical spaces which are L-shaped or U-shaped, the system should be mounted in such a way that it closes at all times in the corner area

### Implementation of the UW-UD upright set.

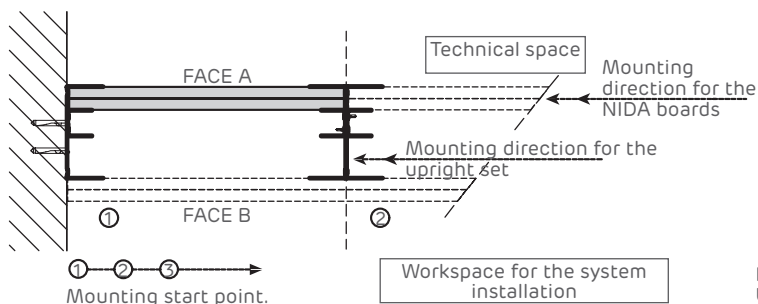


### D1 det. Horizontal section.

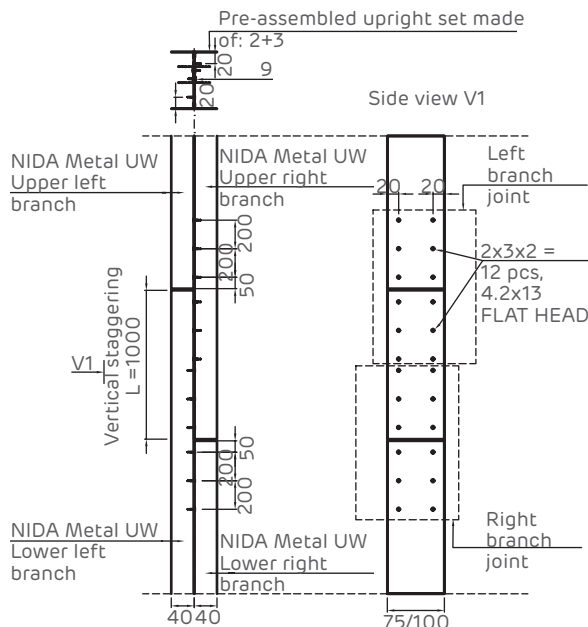


**NOTE \*\*:**  
 NIDA Metal UW runner profile will be cut in two L pieces as follows:  
 • L1 profile and L2 profile  
 Profile L1 shall be cut according to the thickness and number of layers of NIDA boards so that they will cover the width of the profile as shown in the plan. After cutting the L1 profile, another piece will result, namely L2; this will be fixed together with the NIDA Metal UD profile to the existing support using mechanical fasteners (\*1).

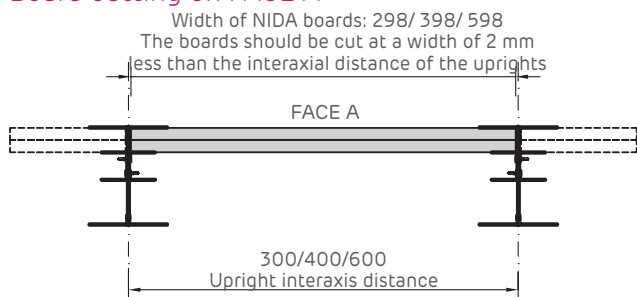
### Mounting instructions.



### Detail of upright set jointing NIDA Metal UW 75 / 100 - H.



### Board cutting on FACE A

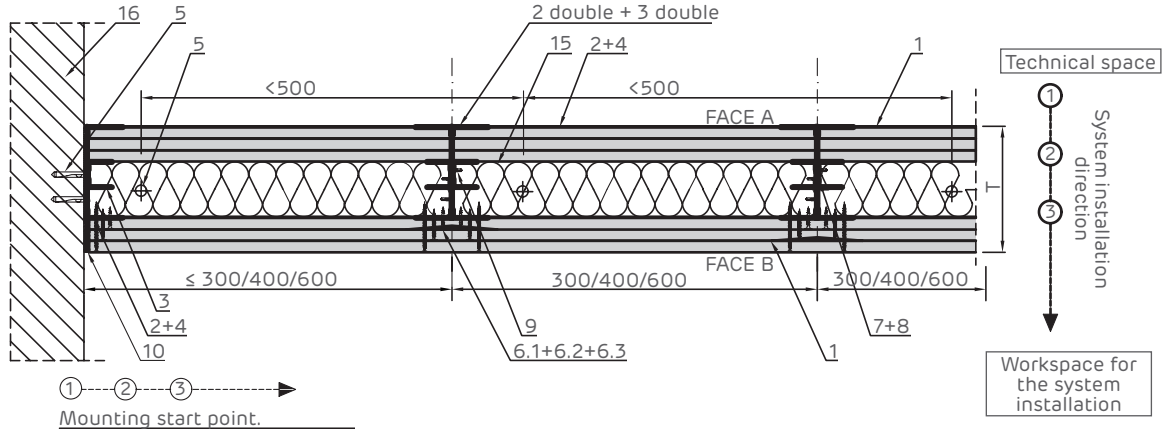


- 1 2x Siniat plasterboard
- 2 NIDA Metal UW profile
- 3 NIDA Metal UD profile
- 4 Single-sided sealing tape
- 5 Mechanical fixing - Max. pitch 500 mm (\*1)
- 6.1 Self-tapping screw 212xL1 @ 600
- 6.2 Self-tapping screw 212xL2 @ 300
- 7 Jointing tape (\*2)
- 8 NIDA Profesional jointing plaster
- 9 Self-drilling screw 4.2x13 FLAT HEAD in zigzag@500mm
- 10 NIDA Boardfix
- 11 MOLLY @ 500 mm metal dowel
- 12 NIDA Metal CW upright
- 13 Self-tapping screw 212xL3 + flat washer @ 500 mm
- 14 Corner protection profile
- 15 Mineral wool
- 16 Stiff support (reinforced concrete/brickwork/wood/ etc)

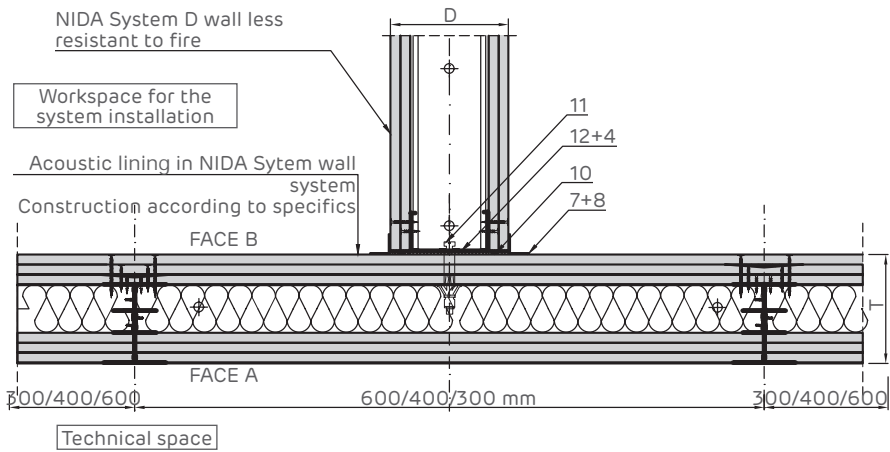
# NIDA System SH.UU

Shaft-wall with NIDA System SH.UU triple-layer lining inwards and outwards on NIDA Metal UW/UD independent support structure

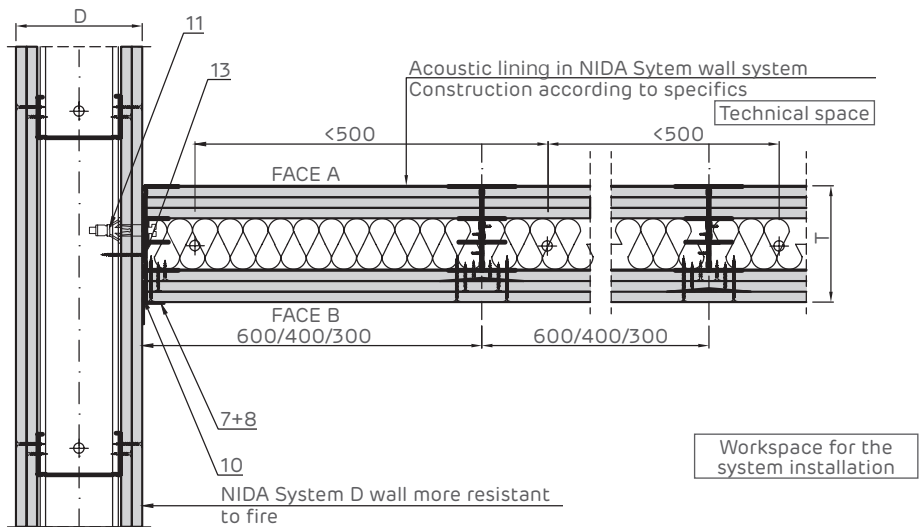
Horizontal section.



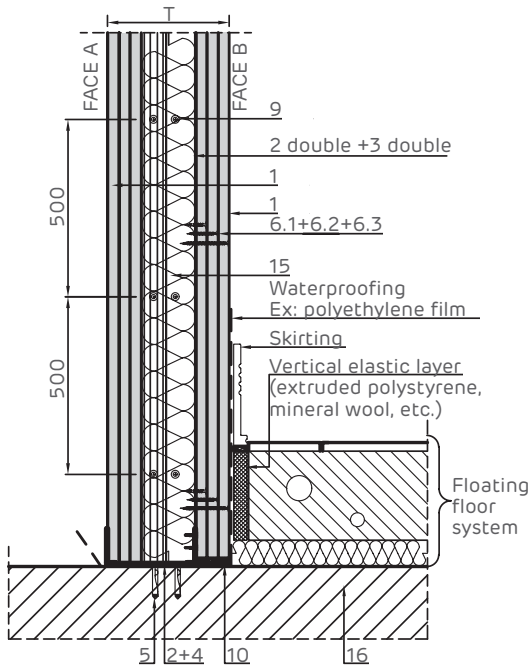
Lining crossing with D wall less resistant to fire.  
Horizontal section.



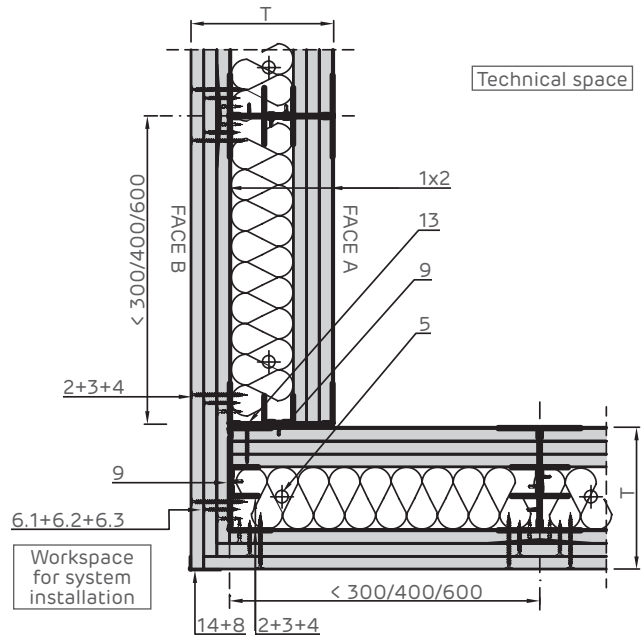
Lining crossing with D wall more resistant to fire.  
Horizontal section.



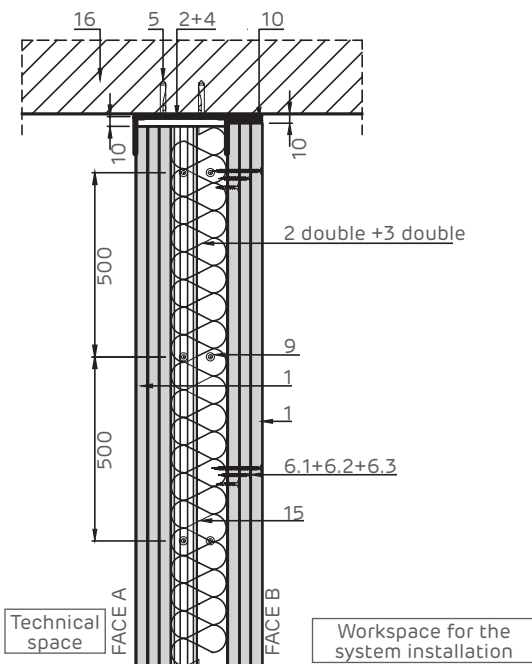
Detailed crossing with floating floor system.  
Vertical section at the bottom of the lining.  
For superior acoustic performance.



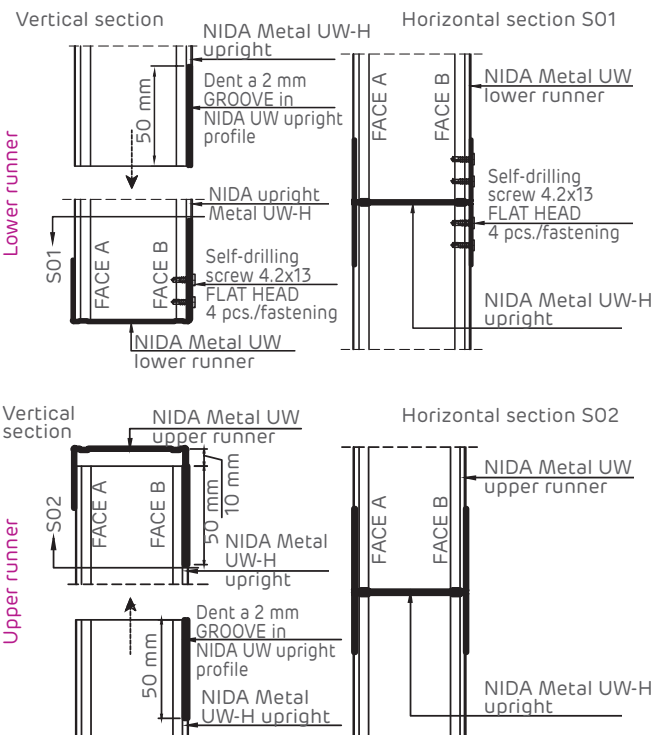
Corner detail  
Horizontal section.



Upper fastening detail on reinforced concrete slab.  
Vertical section



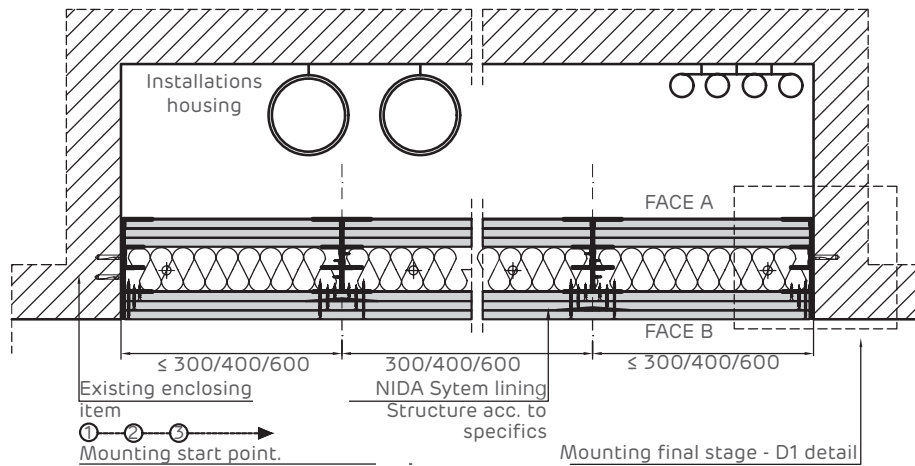
Details of fixing UW-H NIDA Metal uprights  
in the NIDA Metal UW runner.



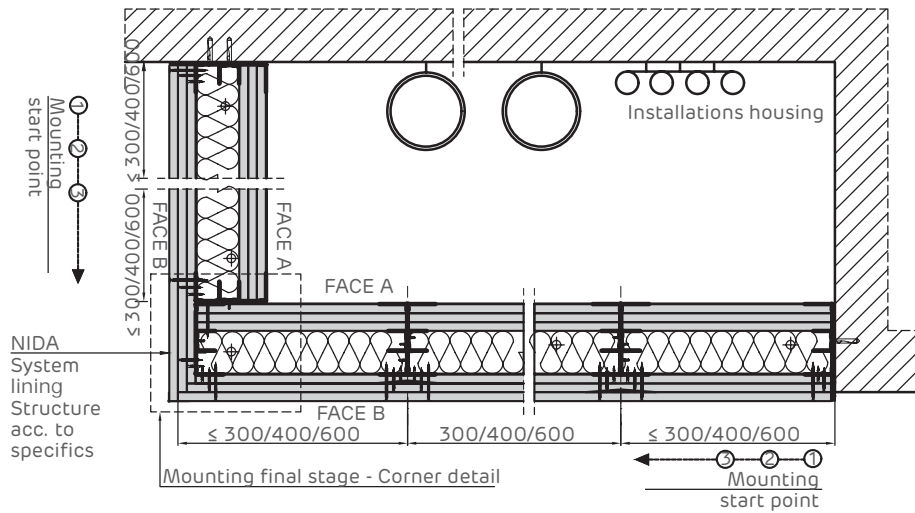
- 1 3x Siniat plasterboard
- 2 NIDA Metal UW profile
- 3 NIDA Metal UD profile
- 4 Single-sided sealing tape
- 5 Mechanical fixing - Max. pitch 500 mm (\*1)
- 6.1 Self-tapping screw 212xL1 @ 600
- 6.2 Self-tapping screw 212xL2 @ 600
- 6.3 Self-tapping screw 212xL3 @ 300
- 7 Jointing tape (\*2)

- 8 NIDA Profesional jointing plaster
- 9 Self-drilling screw 4.2x13 FLAT HEAD in zigzag@500mm
- 10 NIDA Boardfix
- 11 MOLLY @ 500 mm metal dowel
- 12 NIDA Metal CW upright
- 13 Self-tapping screw 212xL4 + flat washer @500mm
- 14 Corner protection profile
- 15 Mineral wool
- 16 Stiff support (reinforced concrete/brickwork/wood/ etc.)

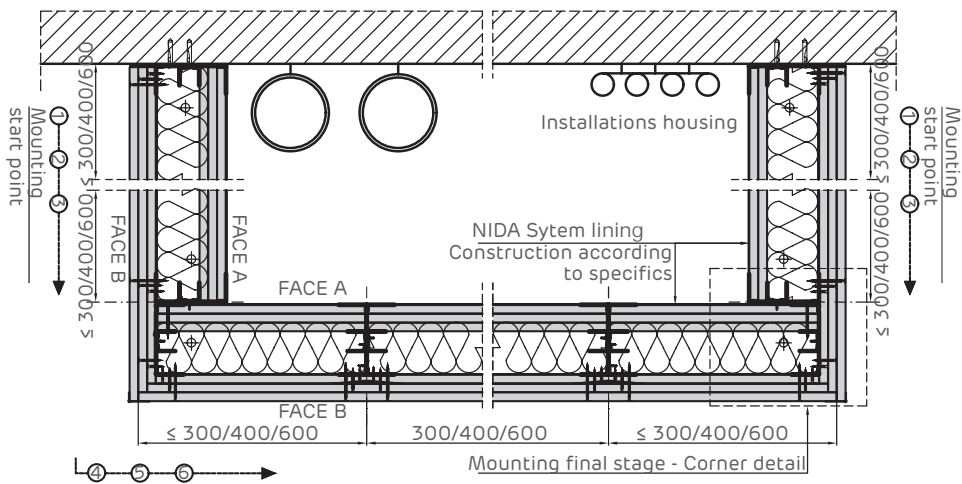
One-sided enclosing of installations housing Horizontal section.



Two-sided enclosing of installations housing Horizontal section.

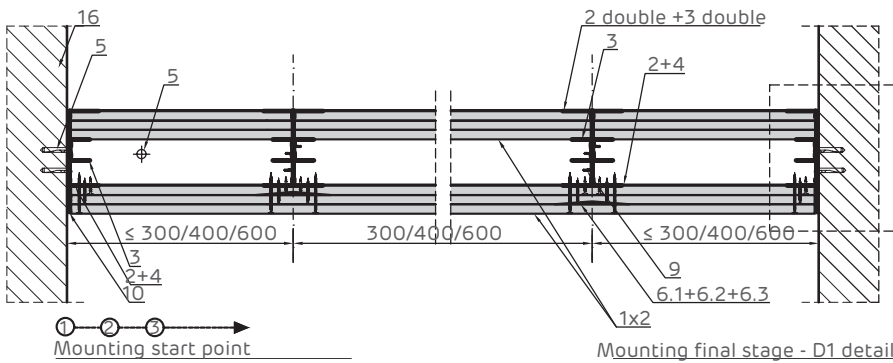


Two-sided enclosing of installations housing Horizontal section.





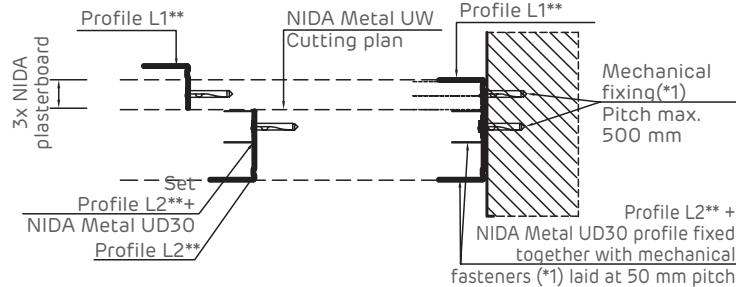
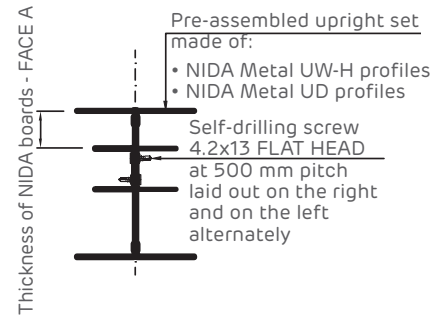
System installation stages Horizontal section.



The system should be mounted from one end in the case of linear lining, fixed between two enclosing elements (e.g. brick wall, reinforced concrete). In the case of lining of technical spaces which are L-shaped or U-shaped, the system should be mounted in such a way that it closes at all times in the corner area

D1 det. Horizontal section

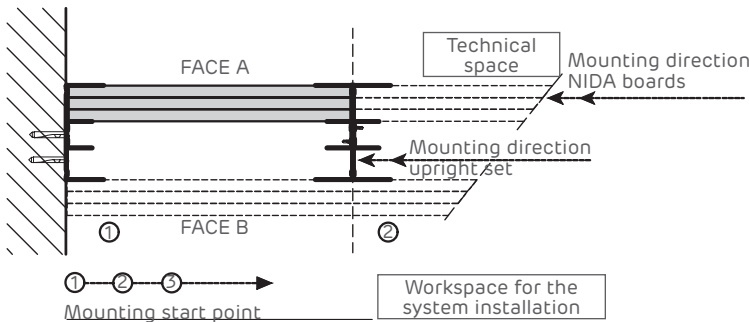
Implementation of the UW-UD upright set



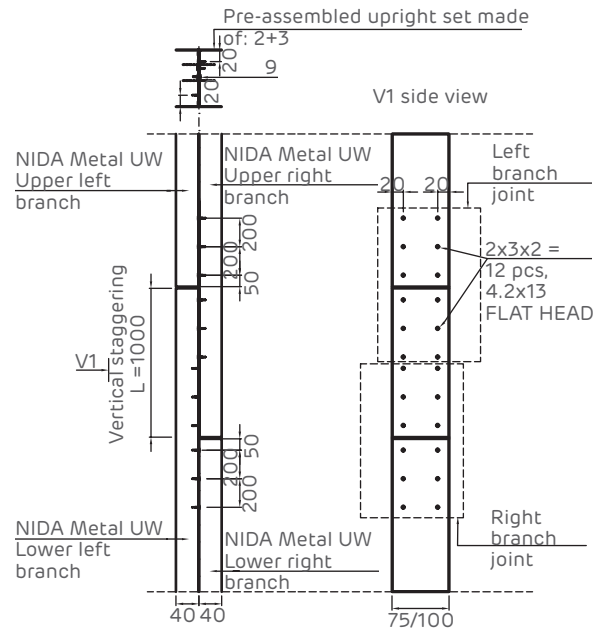
NOTE \*\*:

NIDA Metal UW runner profile will be cut in two L pieces as follows:  
 • Profile L1 and Profile L2  
 Profile L1 will be cut according to the thickness and number of layers of NIDA boards so that they will cover the width of the profile as shown in the drawing. After cutting the L1 profile, another piece will result, namely the L2 profile; this will be fixed together with the NIDA Metal UD profile to the existing support using mechanical fasteners (\*1).

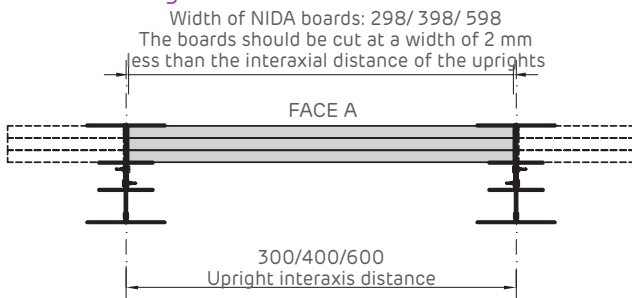
Mounting instructions



Detail of upright set jointing NIDA Metal UW 75 / 100 - H



Board cutting on FACE A



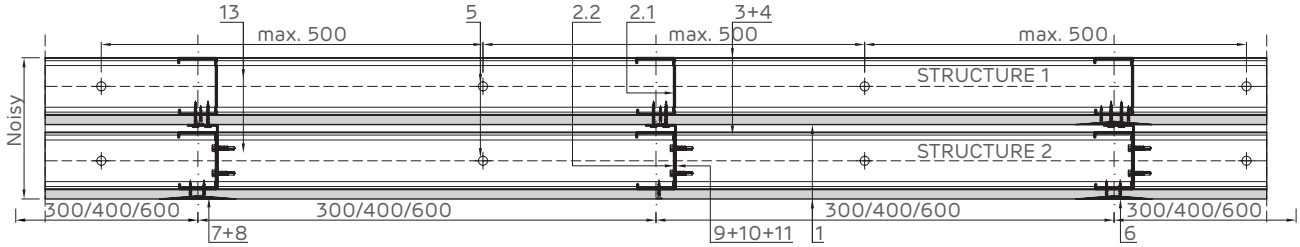
- 1 3x Siniat plasterboard
- 2 NIDA Metal UW profile
- 3 NIDA Metal UD profile
- 4 Single-sided sealing tape
- 5 Mechanical fixing - Max. pitch 500 mm (\*1)
- 6.1 Self-tapping screw 212xL1 @ 600
- 6.2 Self-tapping screw 212xL2 @ 600
- 6.3 Self-tapping screw 212xL3 @ 300
- 7 Jointing tape (\*2)

- 8 NIDA Profesional jointing plaster
- 9 Self-drilling screw 4.2x13 FLAT HEAD in zigzag@500mm
- 10 NIDA Boardfix
- 11 MOLLY @ 500 mm metal dowel
- 12 NIDA Metal CW upright
- 13 Self-tapping screw 212xL4 + flat washer @500mm
- 14 Corner protection profile
- 15 Mineral wool
- 16 Stiff support (reinforced concrete/brickwork/wood/ etc.)

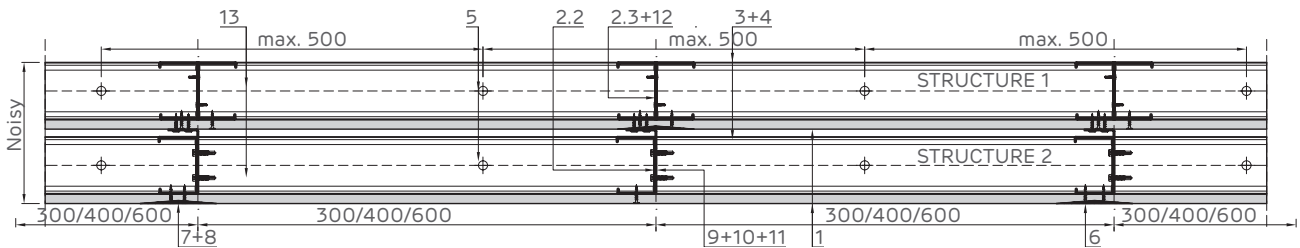
# NIDA System N.CW.I

Shaft-wall with NIDA System N.CW.I single-layer lining inwards and outwards on NIDA Metal CW/UW independent double structure

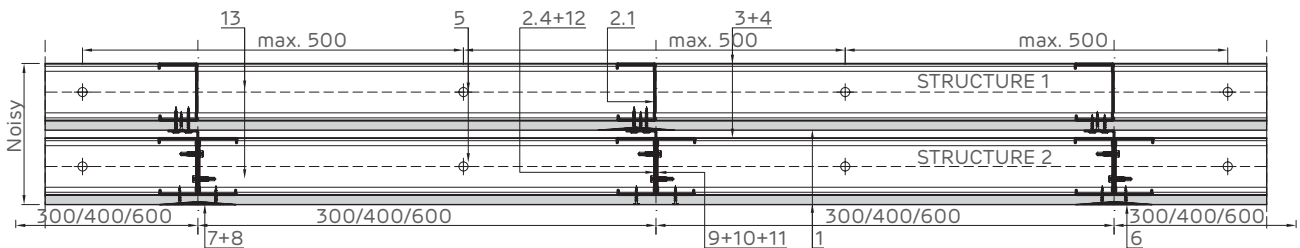
Horizontal section: Single upright for Structure 1 and Structure 2



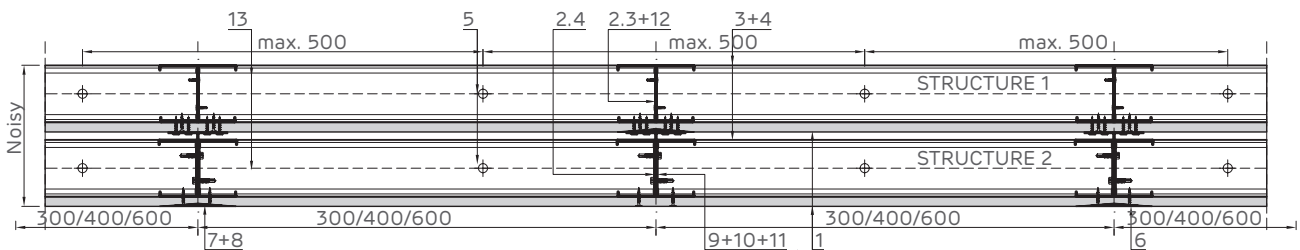
Horizontal section: Double upright for Structure 1 and single upright for Structure 2



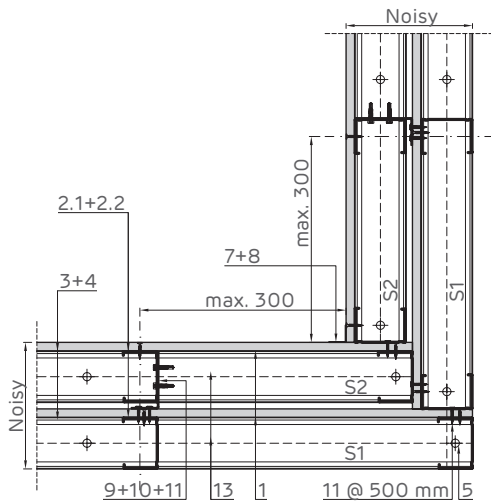
Horizontal section: Single upright for Structure 1 and double upright for Structure 2



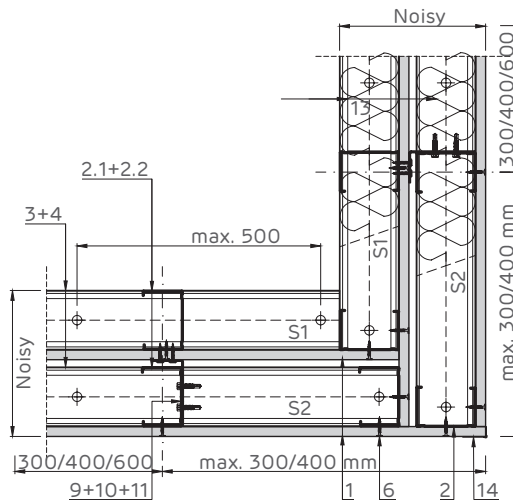
Horizontal section: Double upright for Structure 1 and Structure 2



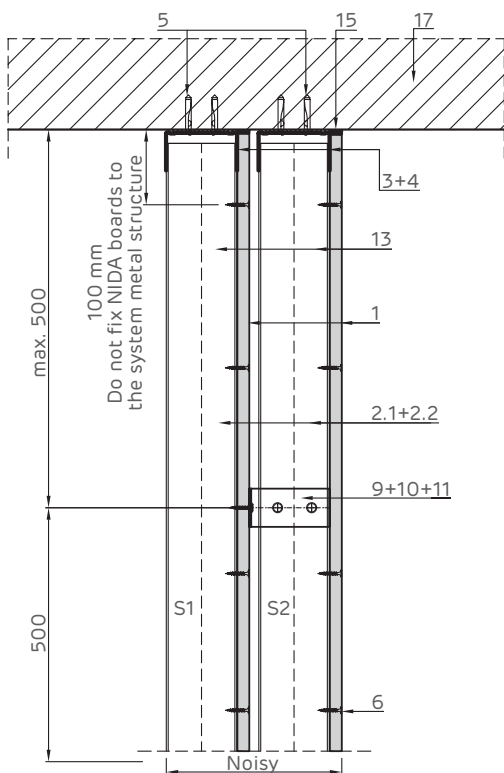
90° corner joint..  
Horizontal section.



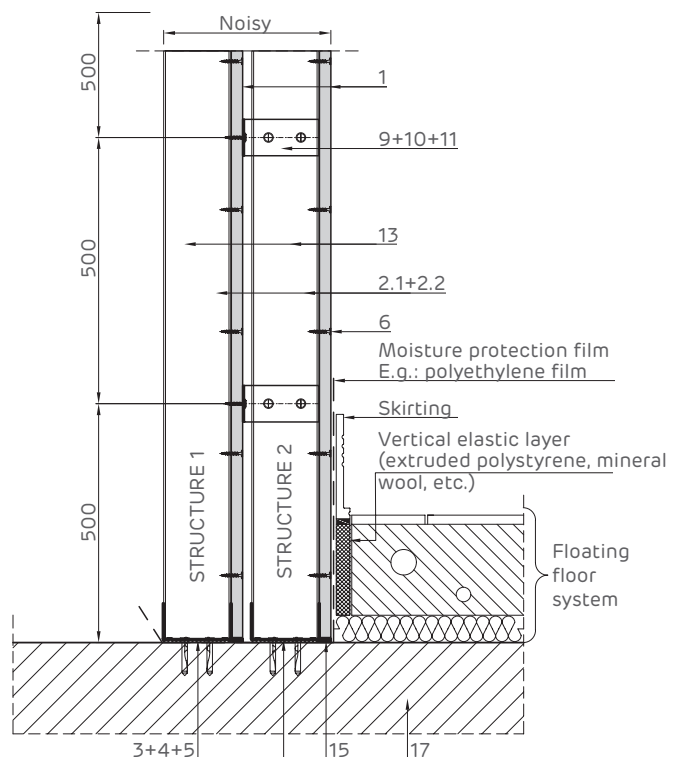
270° corner joint.. H. inst < 6 m.  
Horizontal section.



Detailed attachment at the top on  
reinforced concrete members.  
Vertical section



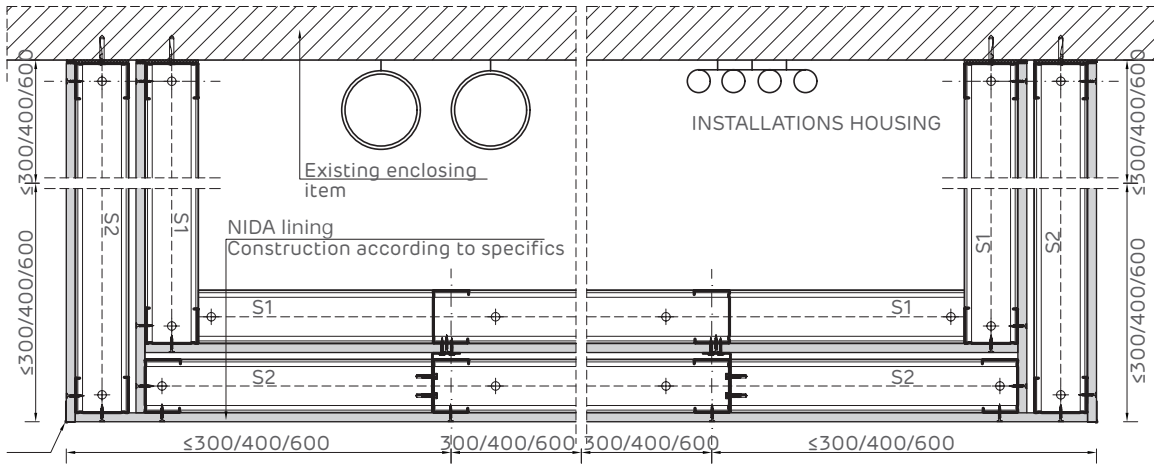
Detailed crossing with floating floor system.  
Vertical section at the bottom of the lining.  
For superior acoustic performance.



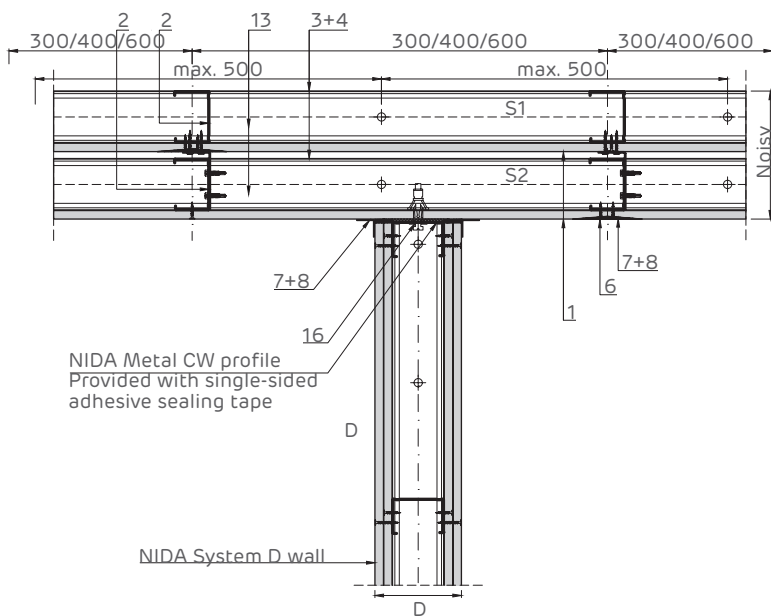
- 1 2x 1 Siniat plasterboard
- 2.1 NIDA Metal CW @ Structure 1 single upright
- 2.2 NIDA Metal CW @ Structure 2 single upright
- 2.3 NIDA Metal CW @ Structure 1 double upright
- 2.4 NIDA Metal CW @ Structure 2 double upright
- 3 NIDA Metal UW runner profile
- 4 Single-sided sealing tape
- 5 Mechanical fixing - Max. pitch 500 mm (\*1)
- 6 Self-tapping screw 212xL1 @ 300
- 7 Jointing tape (\*2)

- 8 NIDA Professional jointing plaster
- 9 200x40x40x2 mm corner iron Laid out vertically @ 500 mm
- 10 Self-drilling 5.5x25 2 pcs./fastening
- 11 Self-tapping screw 212xL2 + flat washer @500mm
- 12 Self-drilling screw 4.2x13 FLAT HEAD in zigzag@500mm
- 13 Mineral wool
- 14 NIDA Professional corner protection profile
- 15 NIDA Boardfix adhesive
- 16 MOLLY @ 500 mm metal dowel
- 17 Rigid (concrete) support

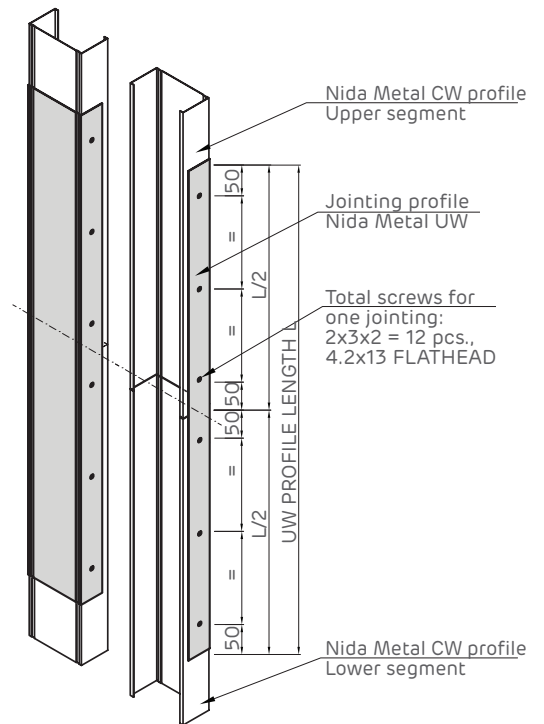
Three-sided enclosing of installations housing Horizontal section.



Horizontal section:  
Crossing with NIDA System D distribution wall.

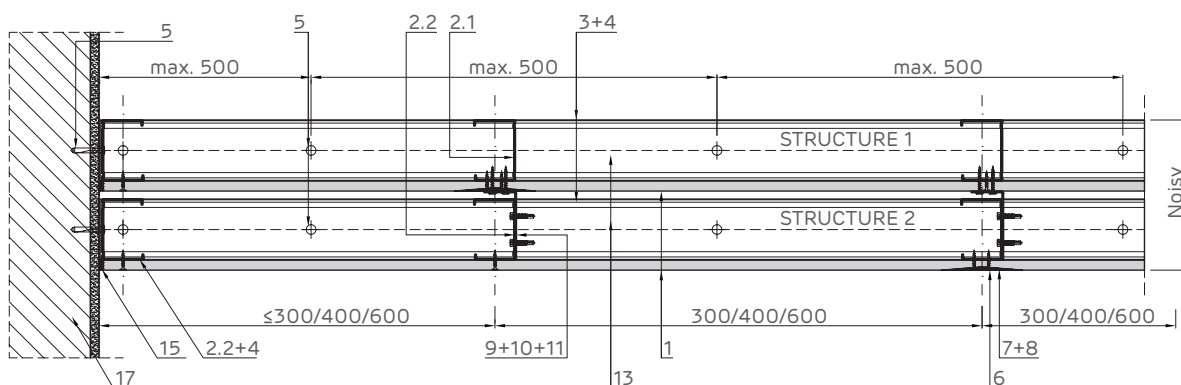


Jointing detail of  
NIDA Metal CW single profiles.

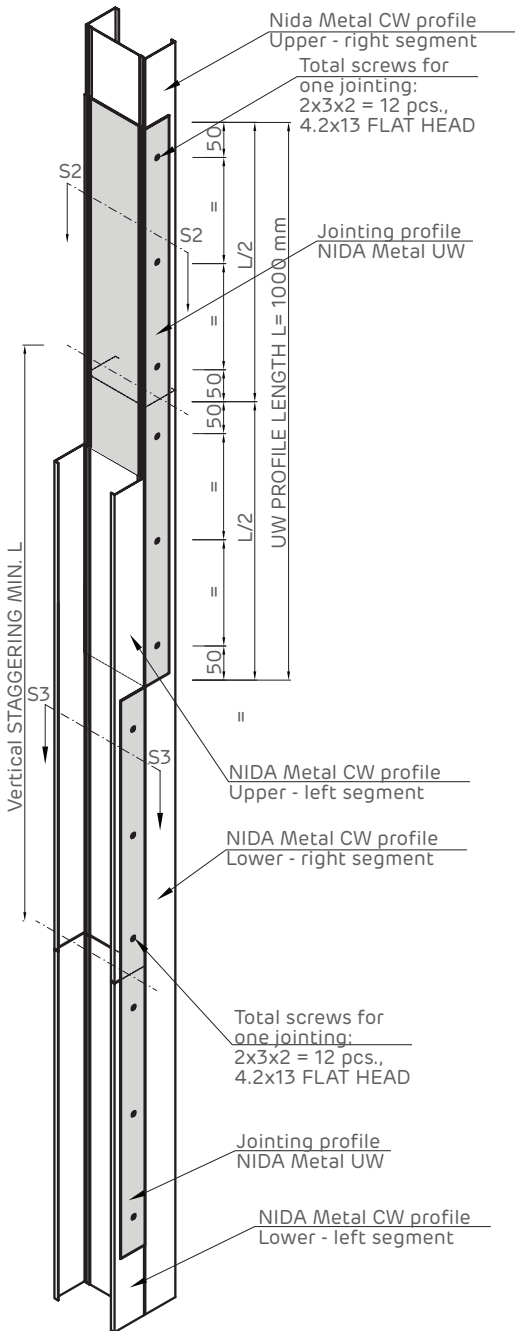


N°	NIDA Metal jointing profile	UW jointing profile length (mm)
1	UW 50	L=1000
2	UW 75	L=1500
3	UW 100	L=2000

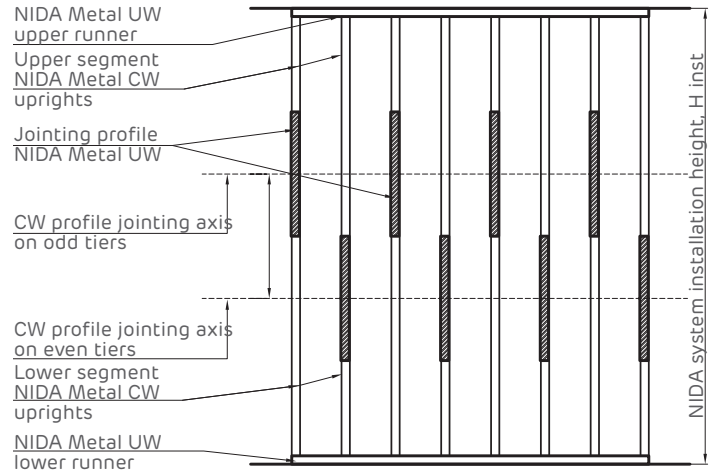
Horizontal section: Rigid jointing with sturdy item



Jointing detail of NIDA Metal CW double profiles.

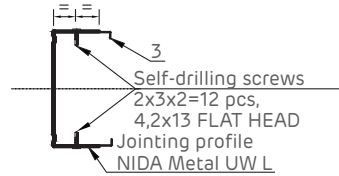


NIDA Metal CW profile joint staggering System elevation.

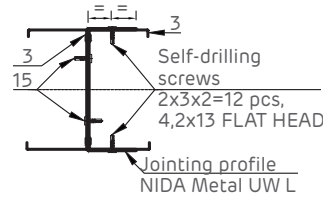


Board staggering. System elevation. Vertical and horizontal joints should be staggered to avoid overlap

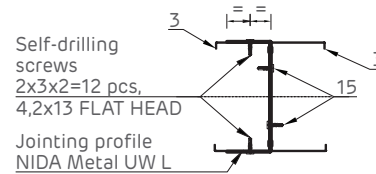
Section S1



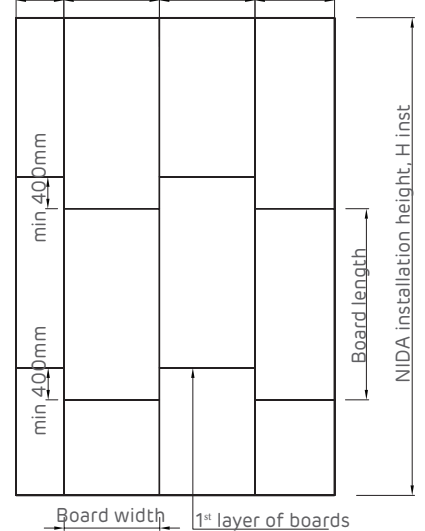
Section S2



Section S3



NIDA Metal CW/UA/CD profile upright interaxis



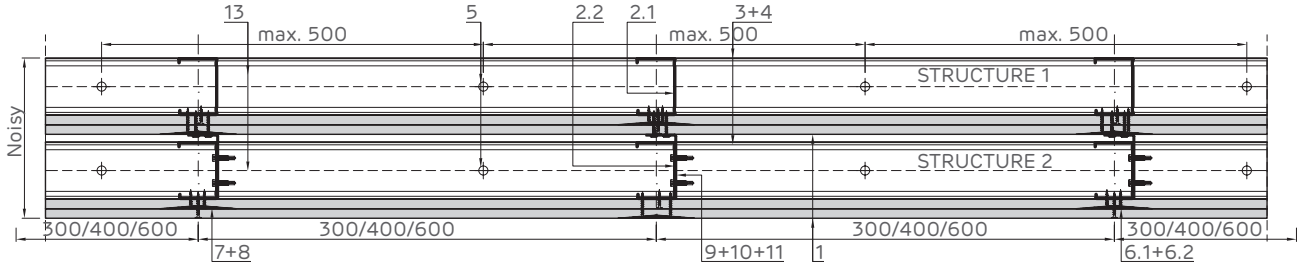
N°	NIDA Metal jointing profile	UW jointing profile length (mm)
1	UW 50	L=1000
2	UW 75	L=1500
3	UW 100	L=2000

- 1 2x 1 Siniat plasterboard
- 2.1 NIDA Metal CW @ Structure 1 single upright
- 2.2 NIDA Metal CW @ Structure 2 single upright
- 2.3 NIDA Metal CW @ Structure 1 double upright
- 2.4 NIDA Metal CW @ Structure 2 double upright
- 3 NIDA Metal UW runner profile
- 4 Single-sided sealing tape
- 5 Mechanical fixing - Max. pitch 500 mm (\*1)
- 6 Self-tapping screw 212xL1 @ 300
- 7 Jointing tape (\*2)
- 8 NIDA Profesional jointing plaster
- 9 200x40x40x2 mm corner iron Laid out vertically @ 500 mm
- 10 Self-drilling 5.5x25 2 pcs./fastening
- 11 Self-tapping screw 212xL2 + flat washer @500mm
- 12 Self-drilling screw 4.2x13 FLAT HEAD in zigzag@500mm
- 13 Mineral wool
- 14 NIDA Profesional corner protection profile
- 15 NIDA Boardfix adhesive
- 16 MOLLY @ 500 mm metal dowel
- 17 Rigid (concrete) support

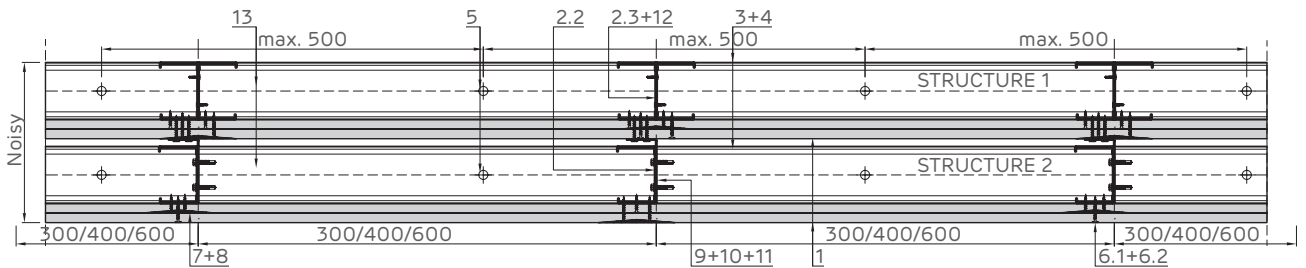
# NIDA System N.CW.I

Shaft-wall with NIDA System N.CW.I double-layer lining inwards and outwards on NIDA Metal CW/UW independent double structure

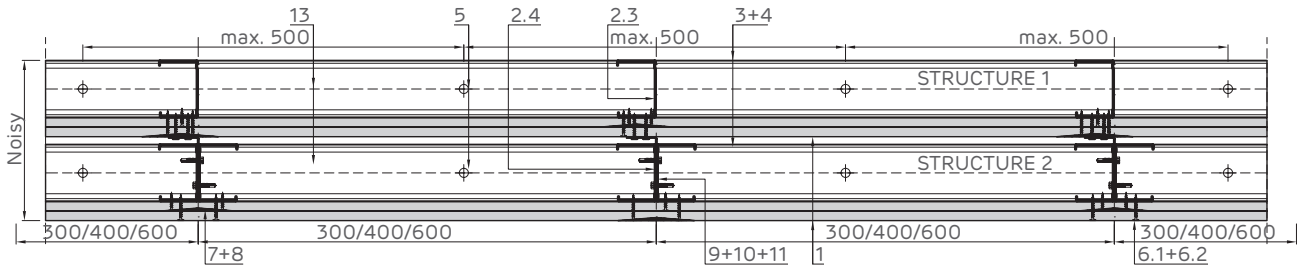
Horizontal section: Single upright for Structure 1 and Structure 2



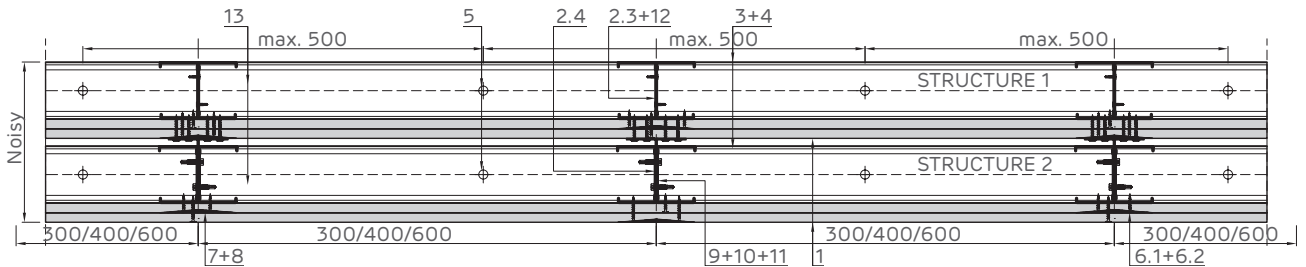
Horizontal section: Double upright for Structure 1 and single upright for Structure 2



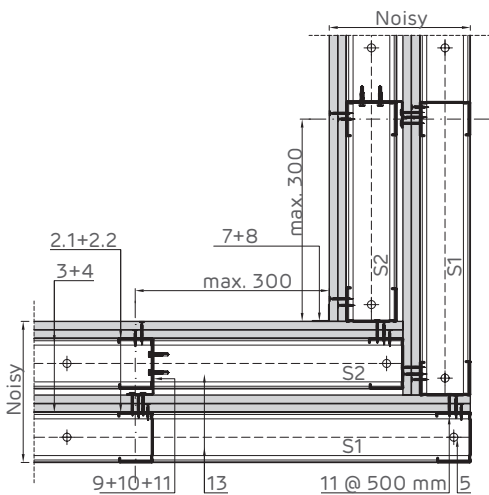
Horizontal section: Single upright for Structure 1 and double upright for Structure 2



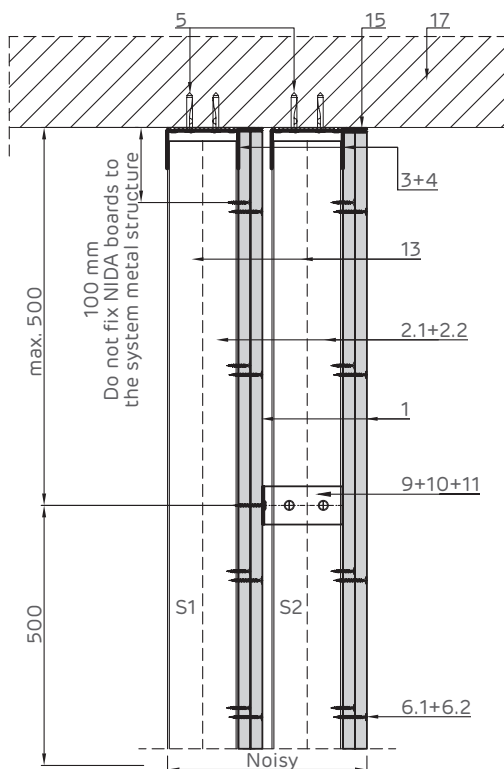
Horizontal section: Double upright for Structure 1 and Structure 2



90° corner joint..  
Horizontal section.

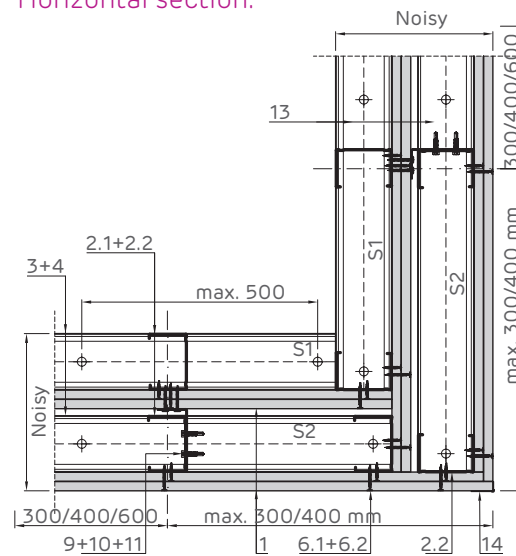


Detailed attachment at the top on reinforced concrete members.  
Vertical section

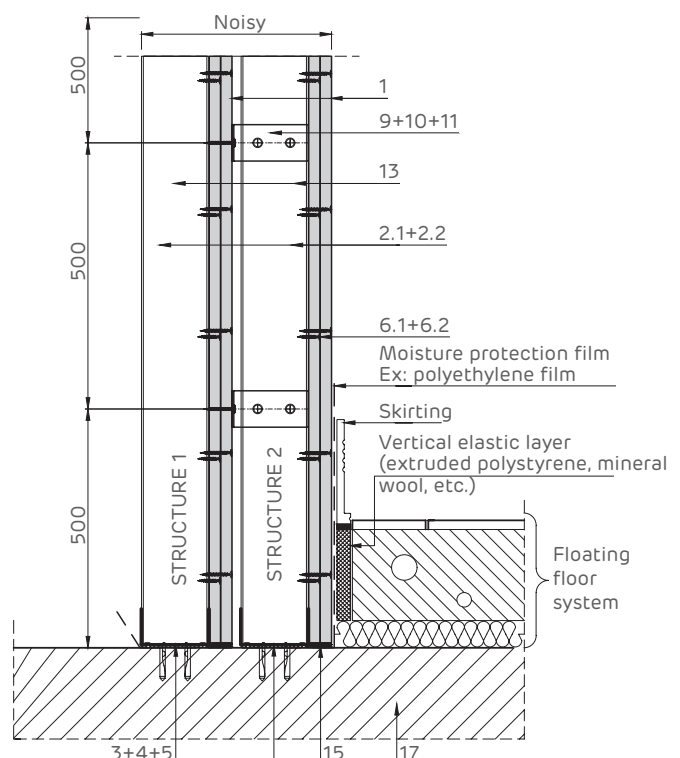


- 1 2x2 Siniat plasterboard
- 2.1 NIDA Metal CW @ Structure 1 single upright
- 2.2 NIDA Metal CW @ Structure 2 single upright
- 2.3 NIDA Metal CW @ Structure 1 double upright
- 2.4 NIDA Metal CW @ Structure 2 double upright
- 3 NIDA Metal UW runner profile
- 4 Single-sided sealing tape
- 5 Mechanical fixing - Max. pitch 500 mm (\*1)
- 6.1 Self-tapping screw 212xL1 @ 600
- 6.2 Self-tapping screw 212xL2 @ 300
- 7 Jointing tape (\*2)

270° corner joint.. H. inst < 6 m.  
Horizontal section.



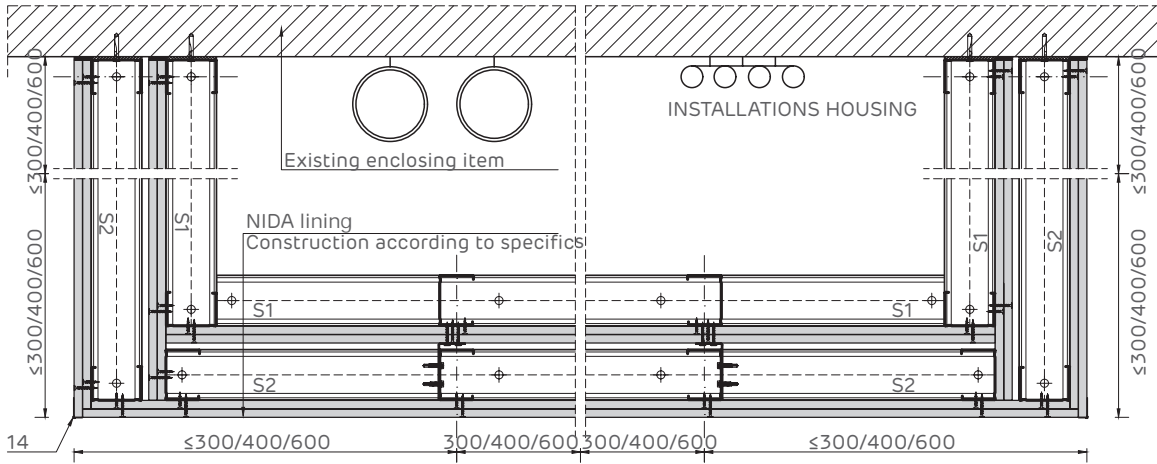
Detailed crossing with floating floor system.  
Vertical section at bottom of lining for superior acoustic performance.



- 8 NIDA Profesional jointing plaster
- 9 200x40x40x2 mm corner iron Laid out vertically @ 500 mm
- 10 Self-drilling 5.5x25 2 pcs./fastening
- 11 Self-tapping screw 212xL3 + flat washer @500mm
- 12 Self-drilling screw 4.2x13 FLAT HEAD in zigzag@500mm
- 13 Mineral wool
- 14 NIDA Profesional corner protection profile
- 15 NIDA Boardfix adhesive
- 16 MOLLY @ 500 mm metal dowel
- 17 Rigid (concrete) support

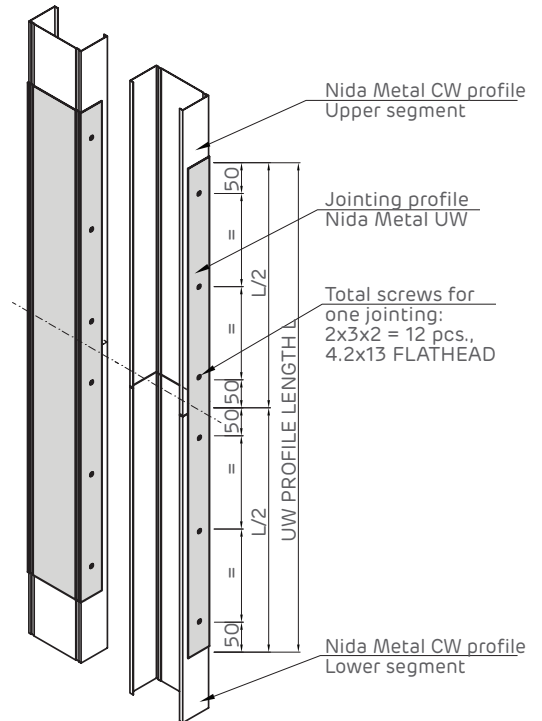
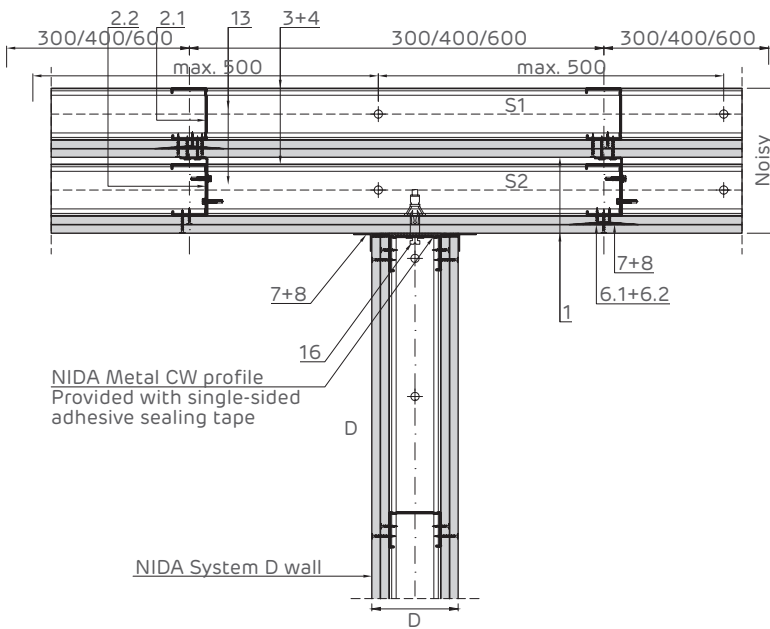


Three-sided enclosing of installations housing Horizontal section.



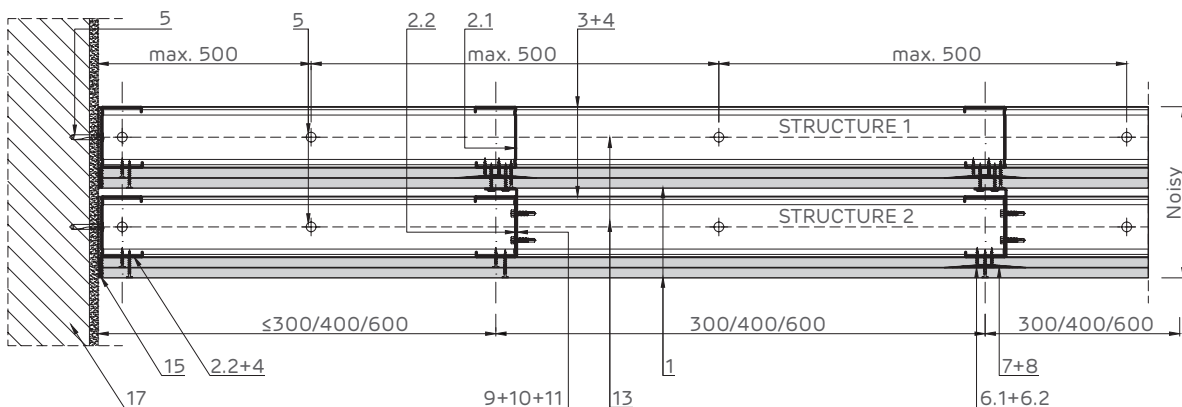
Horizontal section:  
Crossing with NIDA System D distribution wall.

Jointing detail of  
NIDA Metal CW single profiles.

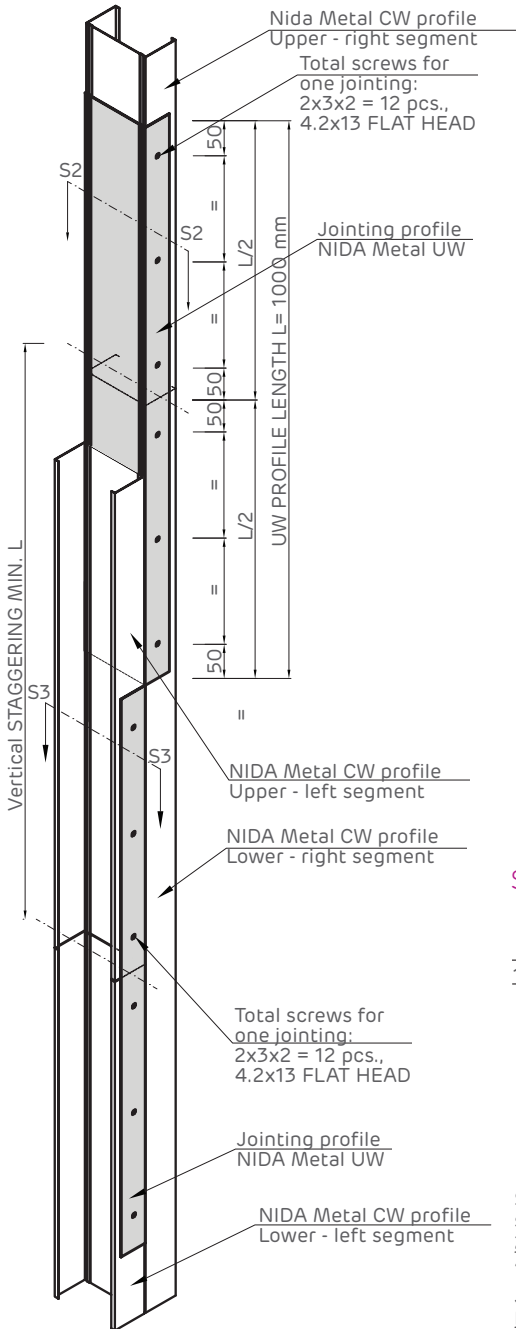


N°	NIDA Metal jointing profile	UW jointing profile length (mm)
1	UW 50	L=1000
2	UW 75	L=1500
3	UW 100	L=2000

Horizontal section: Rigid jointing with sturdy item

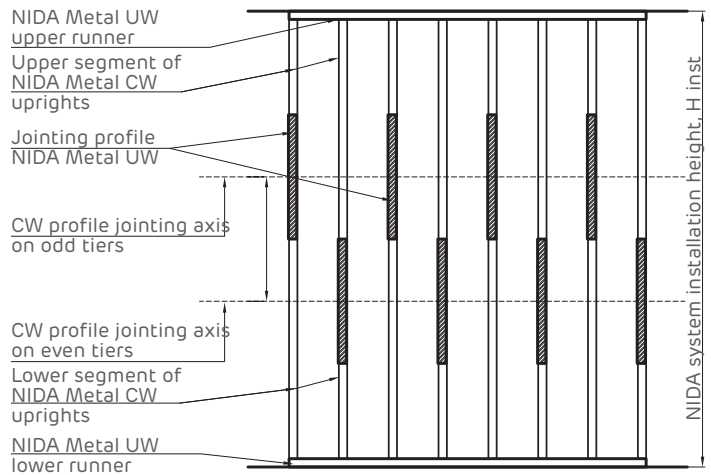


Jointing detail of NIDA Metal CW double profiles.



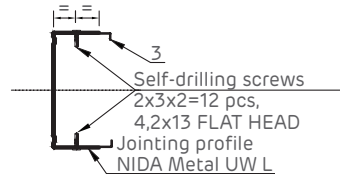
Nº	NIDA Metal jointing profile	UW jointing profile length (mm)
1	UW 50	L=1000
2	UW 75	L=1500
3	UW 100	L=2000

NIDA Metal CW profile joint staggering System elevation.

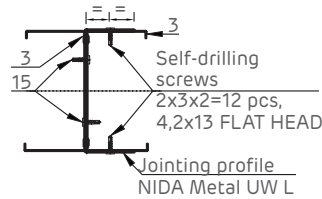


Board staggering. System elevation. Vertical and horizontal joints should be staggered to avoid overlap

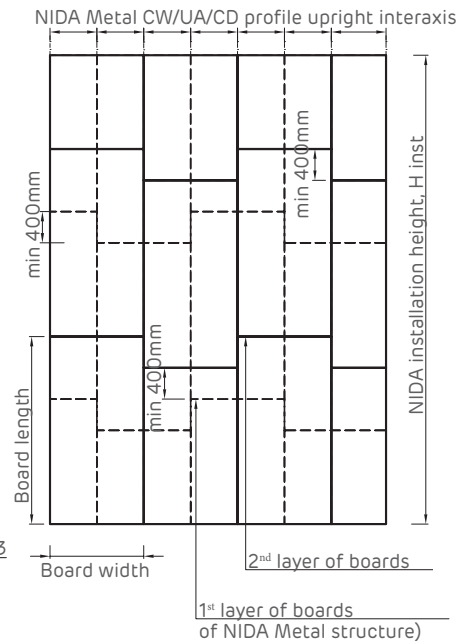
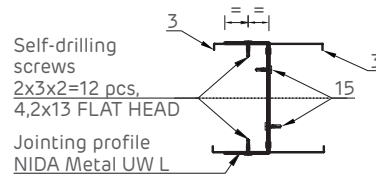
Section S1



Section S2



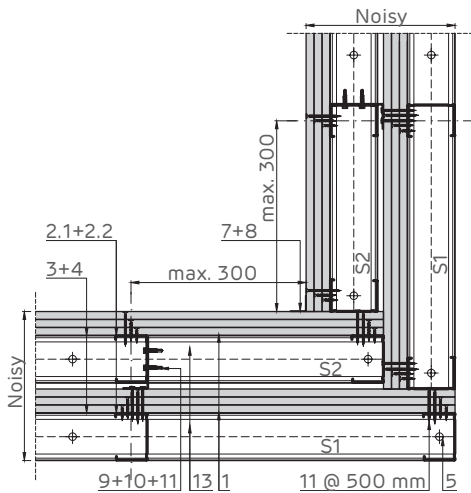
Section S3



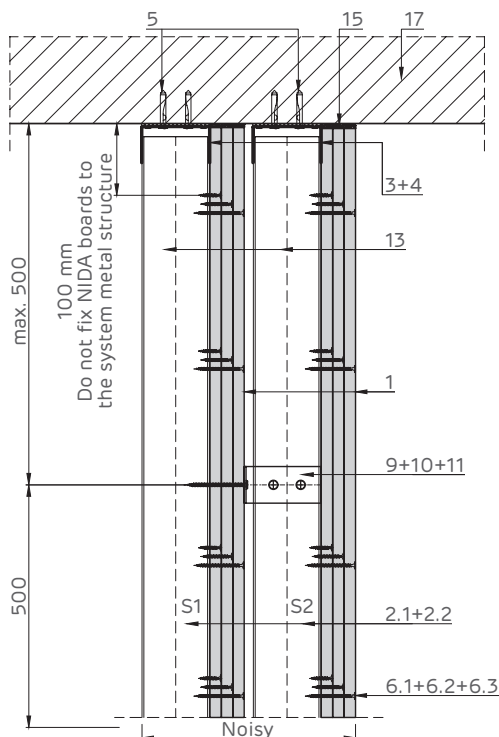
- 1 2x2 Siniat plasterboard
- 2.1 NIDA Metal CW @ Structure 1 single upright
- 2.2 NIDA Metal CW @ Structure 2 single upright
- 2.3 NIDA Metal CW @ Structure 1 double upright
- 2.4 NIDA Metal CW @ Structure 2 double upright
- 3 NIDA Metal UW runner profile
- 4 Single-sided sealing tape
- 5 Mechanical fixing - Max. pitch 500 mm (\*1)
- 6.1 Self-tapping screw 212xL1 @ 600
- 6.2 Self-tapping screw 212xL2 @ 300
- 7 Jointing tape (\*2)
- 8 NIDA Profesional jointing plaster
- 9 200x40x40x2 mm corner iron Laid out vertically @ 500 mm
- 10 Self-drilling 5.5x25 2 pcs./fastening
- 11 Self-tapping screw 212xL3 + flat washer @500mm
- 12 Self-drilling screw 4.2x13 FLAT HEAD in zigzag@500mm
- 13 Mineral wool
- 14 NIDA Profesional corner protection profile
- 15 NIDA Boardfix adhesive
- 16 MOLLY @ 500 mm metal dowel
- 17 Rigid (concrete) support



90° corner joint..  
Horizontal section.

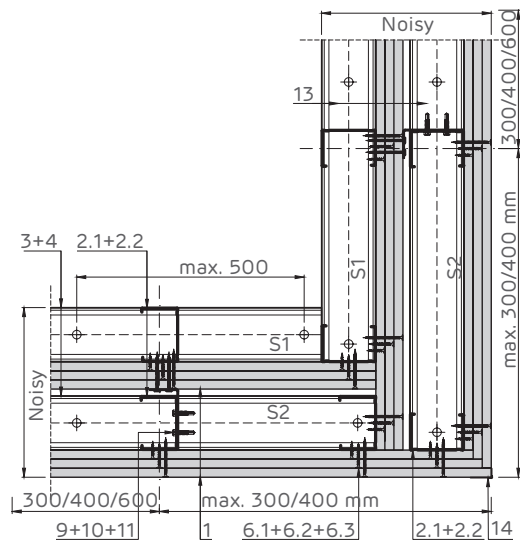


Detailed attachment at the top on reinforced concrete members.  
Vertical section

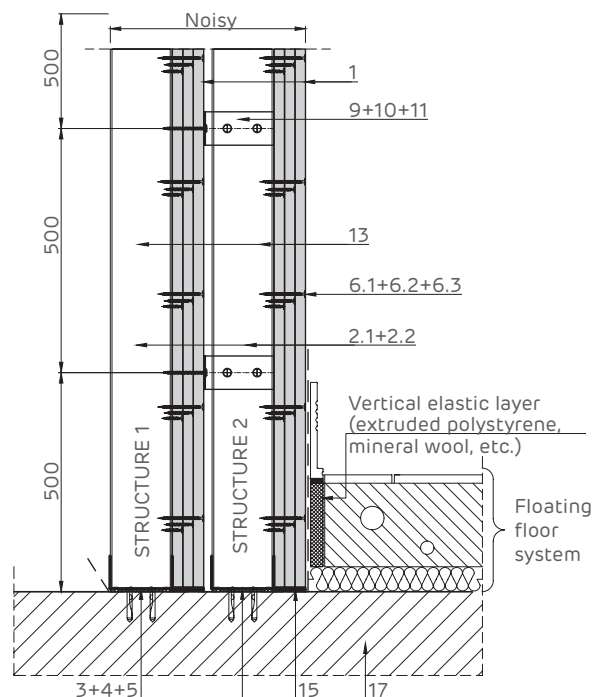


- ① 2x3 Siniat plasterboard
- ②.1 NIDA Metal CW @ Structure 1 single upright
- ②.2 NIDA Metal CW @ Structure 2 single upright
- ②.3 NIDA Metal CW @ Structure 1 double upright
- ②.4 NIDA Metal CW @ Structure 2 double upright
- ③ NIDA Metal UW runner profile
- ④ Single-sided sealing tape
- ⑤ Mechanical fixing - Max. pitch 500 mm (\*1)
- ⑥.1 Self-tapping screw 212xL1 @ 600
- ⑥.2 Self-tapping screw 212xL2 @ 600
- ⑥.3 Self-tapping screw 212xL3 @ 300

270° corner joint.. H. inst < 6 m.  
Horizontal section.

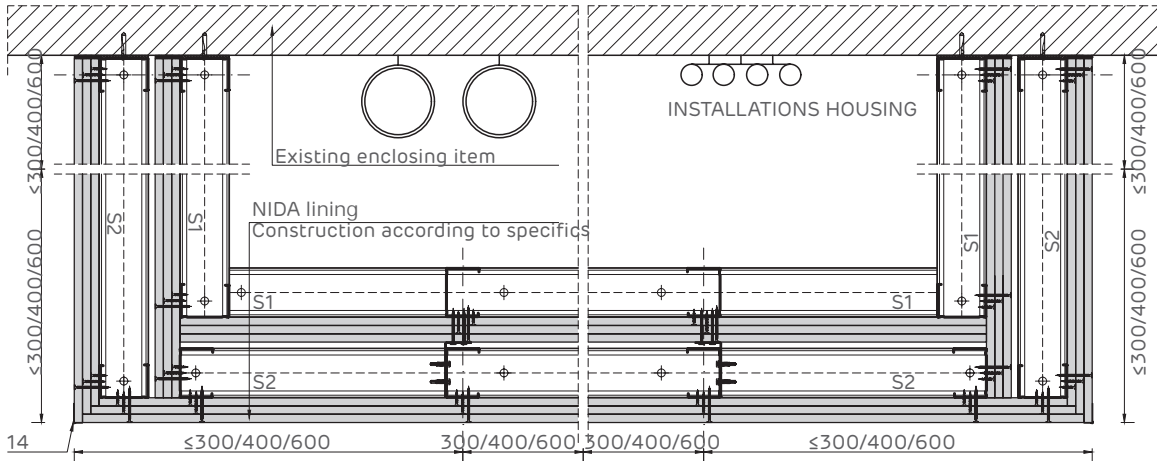


Detailed crossing with floating floor system.  
Vertical section at the bottom of the lining.  
For superior acoustic performance.



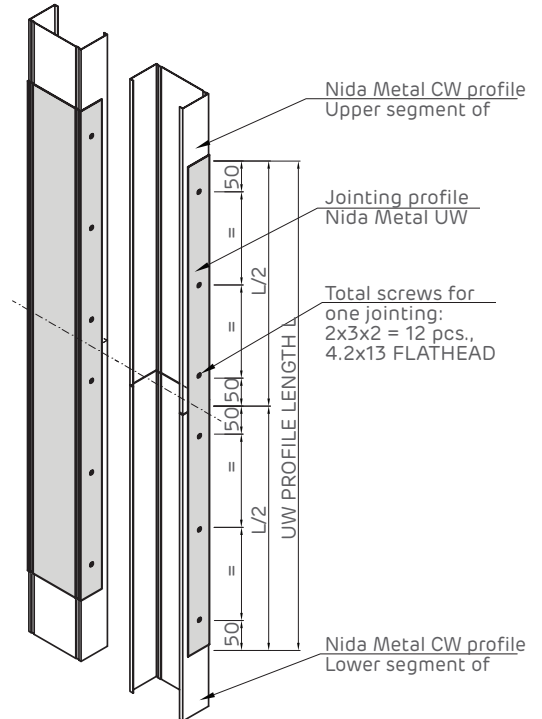
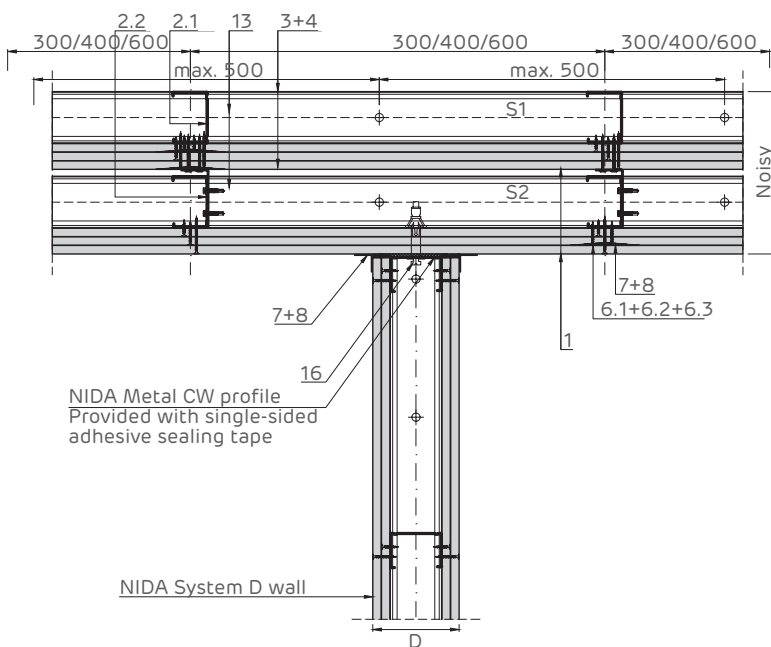
- ⑦ Jointing tape (\*2)
- ⑧ NIDA Profesional jointing plaster
- ⑨ 200x40x40x2 mm corner iron Laid out vertically @ 500 mm
- ⑩ Self-drilling 5.5x25 2 pcs./fastening
- ⑪ Self-tapping screw 212xL4 + flat washer @500mm
- ⑫ Self-drilling screw 4.2x13 FLAT HEAD in zigzag@500mm
- ⑬ Mineral wool
- ⑭ NIDA Profesional corner protection profile
- ⑮ NIDA Boardfix adhesive
- ⑯ MOLLY @ 500 mm metal dowel
- ⑰ Rigid (concrete) support

Three-sided enclosing of installations housing Horizontal section.



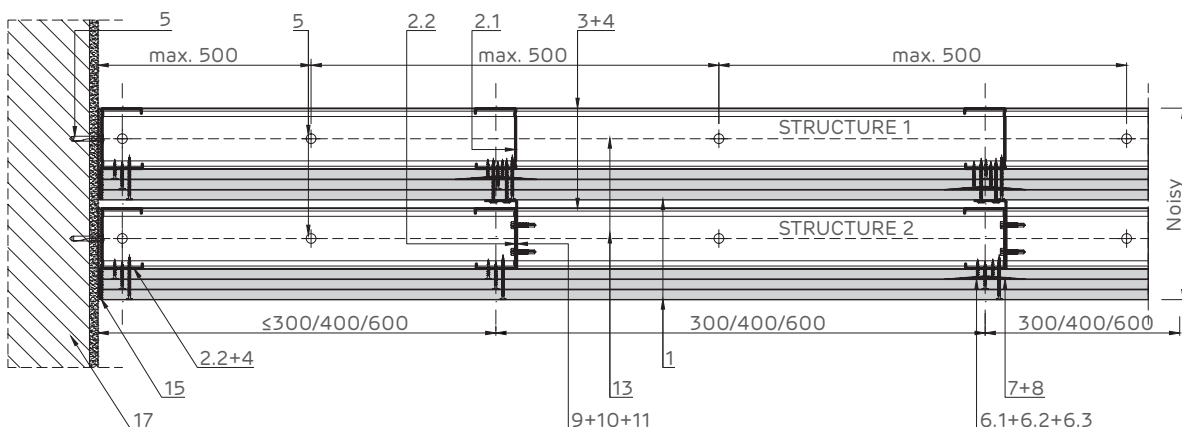
Horizontal section:  
Crossing with NIDA System D distribution wall.

Joining detail of  
NIDA Metal CW single profiles.

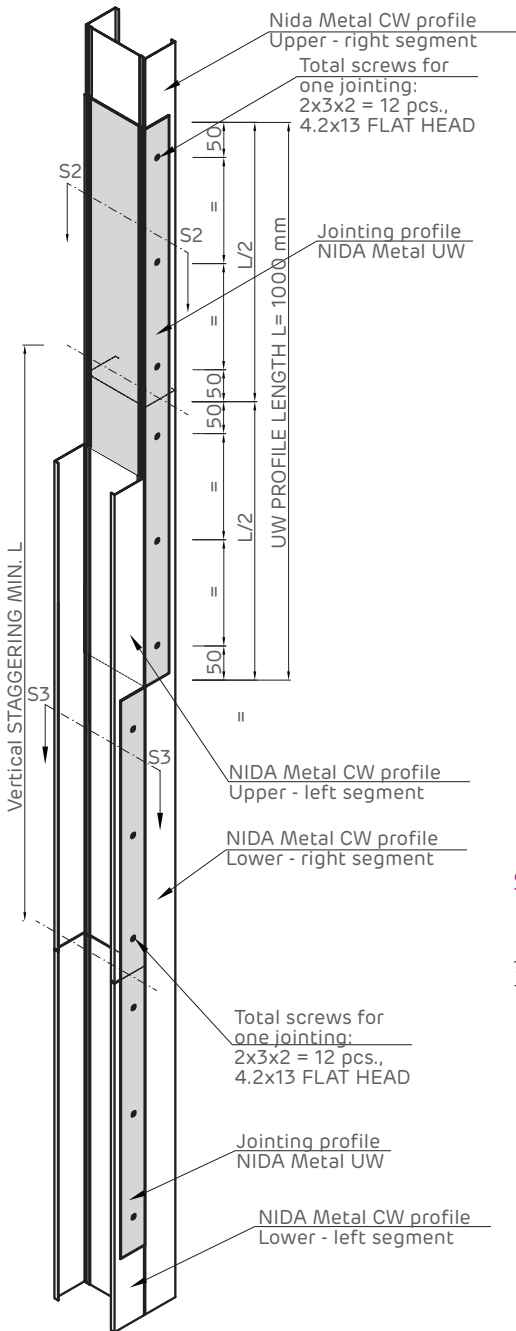


N°	NIDA Metal jointing profile	UW jointing profile length (mm)
1	UW 50	L=1000
2	UW 75	L=1500
3	UW 100	L=2000

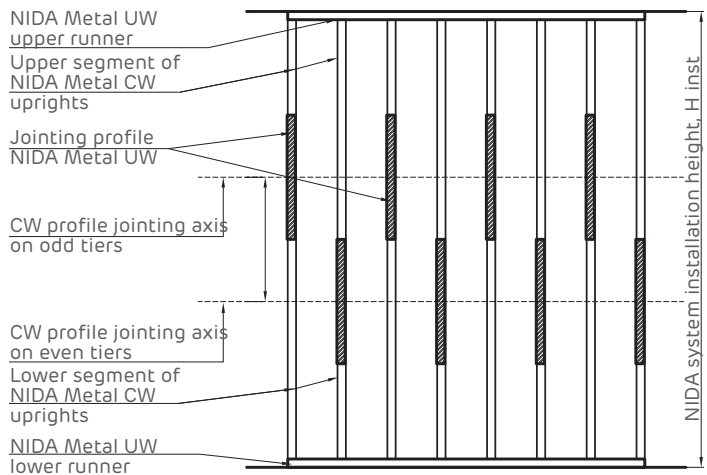
Horizontal section: Rigid jointing with sturdy item



Jointing detail of NIDA Metal CW double profiles.

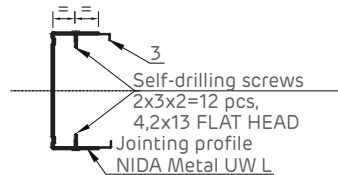


NIDA Metal CW profile joint staggering System elevation.

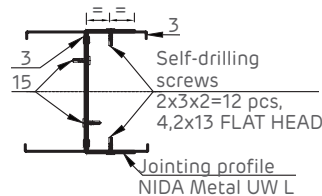


Board staggering. System elevation. Vertical and horizontal joints should be staggered to avoid overlap

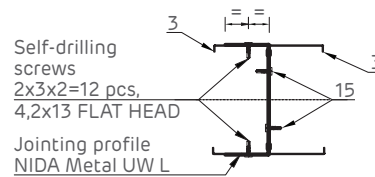
Section S1



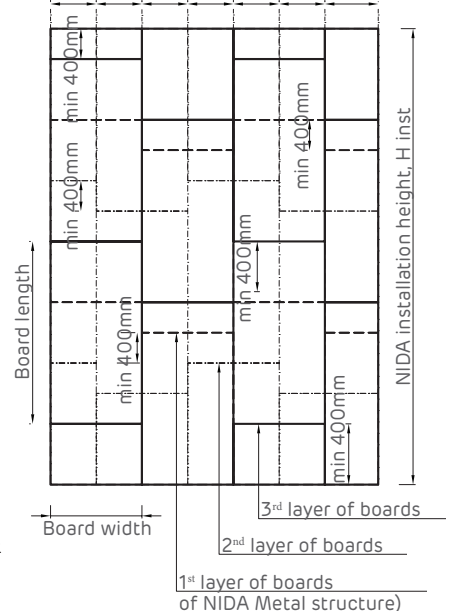
Section S2



Section S3



NIDA Metal CW/UA/CD profile upright interaxis



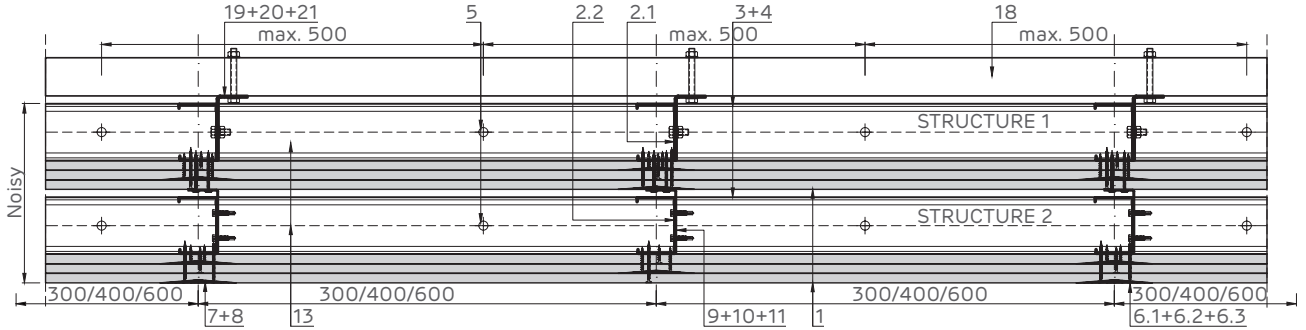
Nº	NIDA Metal jointing profile	UW jointing profile length (mm)
1	UW 50	L=1000
2	UW 75	L=1500
3	UW 100	L=2000

- 1 2x3 Siniat plasterboard
- 2.1 NIDA Metal CW @ Structure 1 single upright
- 2.2 NIDA Metal CW @ Structure 2 single upright
- 2.3 NIDA Metal CW @ Structure 1 double upright
- 2.4 NIDA Metal CW @ Structure 2 double upright
- 3 NIDA Metal UW runner profile
- 4 Single-sided sealing tape
- 5 Mechanical fixing - Max. pitch 500 mm (\*1)
- 6.1 Self-tapping screw 212xL1 @ 600
- 6.2 Self-tapping screw 212xL2 @ 600
- 6.3 Self-tapping screw 212xL3 @ 300
- 7 Jointing tape (\*2)
- 8 NIDA Profesional jointing plaster
- 9 200x40x40x2 mm corner iron Laid out vertically @ 500 mm
- 10 Self-drilling 5.5x25 2 pcs./fastening
- 11 Self-tapping screw 212xL4 + flat washer @500mm
- 12 Self-drilling screw 4.2x13 FLAT HEAD in zigzag@500mm
- 13 Mineral wool
- 14 NIDA Profesional corner protection profile
- 15 NIDA Boardfix adhesive
- 16 MOLLY @ 500 mm metal dowel
- 17 Rigid (concrete) support

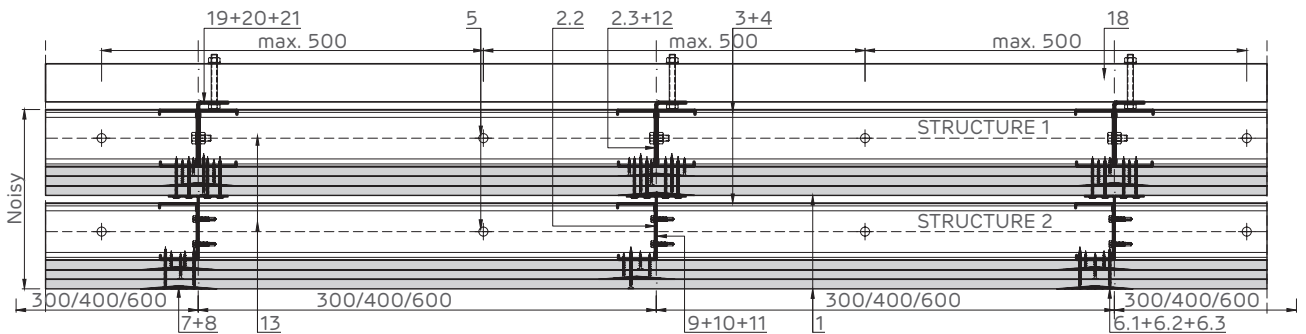
## NIDA System N.CW.F

NIDA System Noisy triple-layer lining inwards and outwards with N.CW.F intermediate fixing on NIDA Metal CW/UW double structure

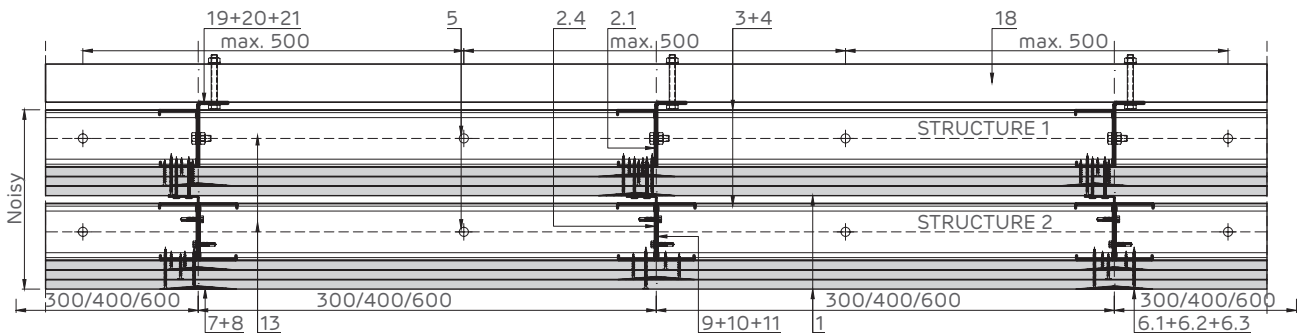
Horizontal section: Single upright for Structure 1 and Structure 2



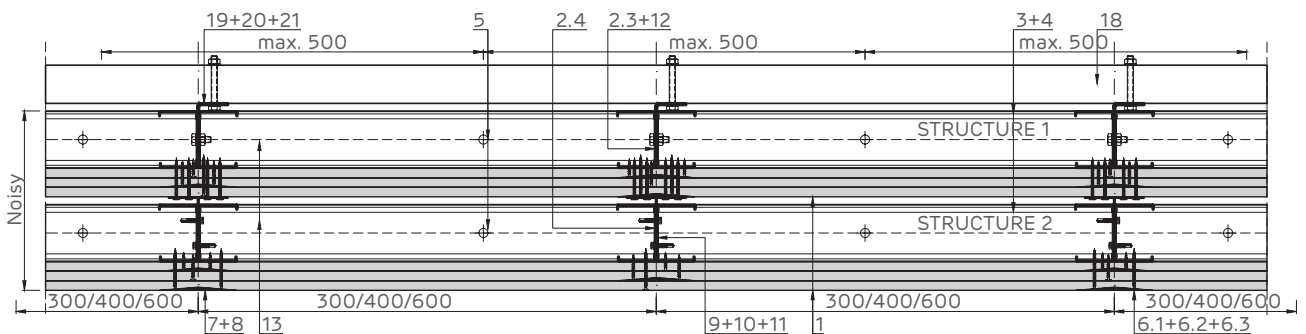
Horizontal section: Double upright for Structure 1 and single upright for Structure 2



Horizontal section: Single upright for Structure 1 and double upright for Structure 2

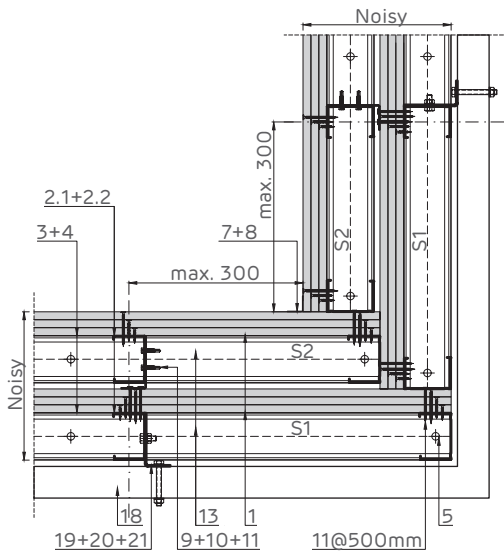


Horizontal section: Double upright for Structure 1 and Structure 2

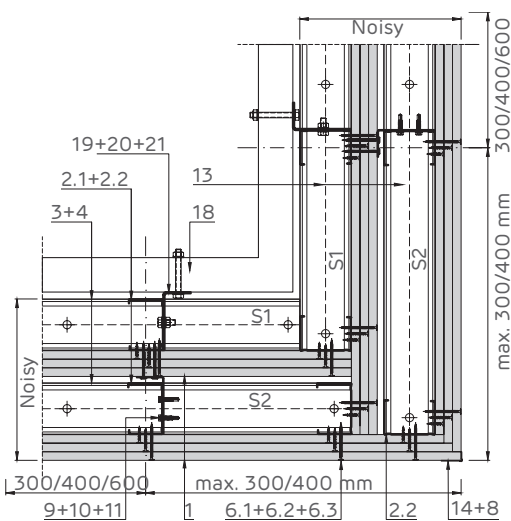




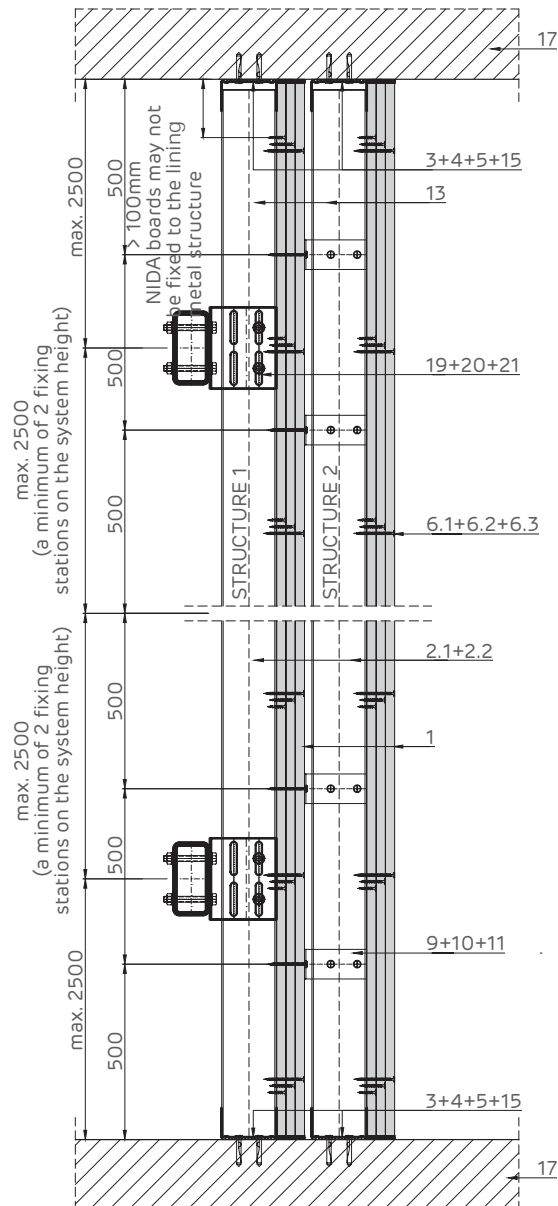
90° corner joint..  
Horizontal section.



270° corner joint.. H. inst < 6 m.  
Horizontal section.

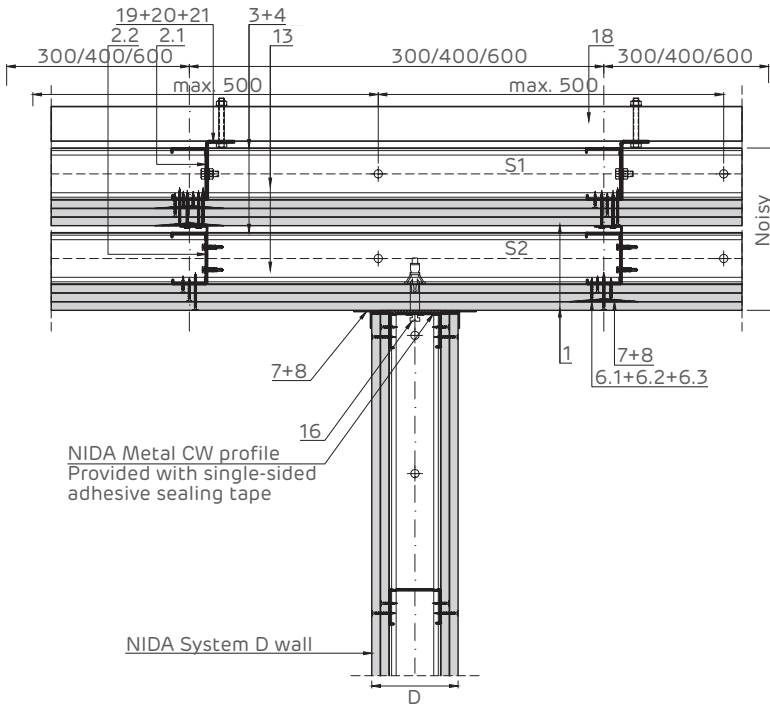


Fastening detail at the system bottom and top.  
Vertical section

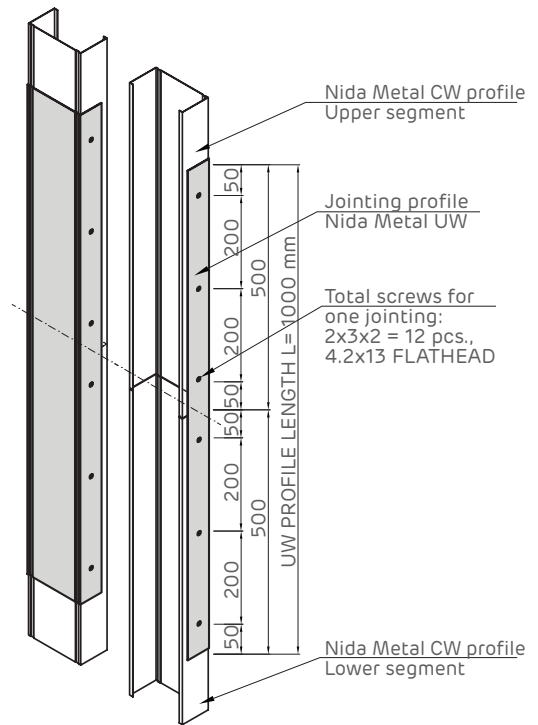


- |     |  |    |   |
|-----|--|----|---|
| 1   | 2x3 Siniat plasterboard                    | 9  | 200x40x40x2 mm corner iron Laid out vertically @ 500 mm |
| 2.1 | NIDA Metal CW @ Structure 1 single upright | 10 | Self-drilling 5.5x25 2 pcs./fastening                   |
| 2.2 | NIDA Metal CW @ Structure 2 single upright | 11 | Self-tapping screw 212xL4 + flat washer @500mm          |
| 2.3 | NIDA Metal CW @ Structure 1 double upright | 12 | Self-drilling screw 4.2x13 FLAT HEAD in zigzag@500mm    |
| 2.4 | NIDA Metal CW @ Structure 2 double upright | 13 | Mineral wool  |
| 3   | NIDA Metal UW runner profile               | 14 | NIDA Profesional corner protection profile              |
| 4   | Single-sided sealing tape                  | 15 | NIDA Boardfix adhesive                                  |
| 5   | Mechanical fixing - Max. pitch 500 mm (*1) | 16 | MOLLY @ 500 mm metal dowel                              |
| 6.1 | Self-tapping screw 212xL1 @ 600            | 17 | Rigid (concrete) support                                |
| 6.2 | Self-tapping screw 212xL2 @ 600            | 18 | Intermediate horizontal beam of the building structure  |
| 6.3 | Self-tapping screw 212xL3 @ 300            | 19 | NIDA Metal angle 2 mm                                   |
| 7   | Jointing tape (*2)                         | 20 | Mechanical fixing (*1) 2 pcs/attachment                 |
| 8   | NIDA Profesional jointing plaster          | 21 | M8 screws 2 pcs/attachment                              |

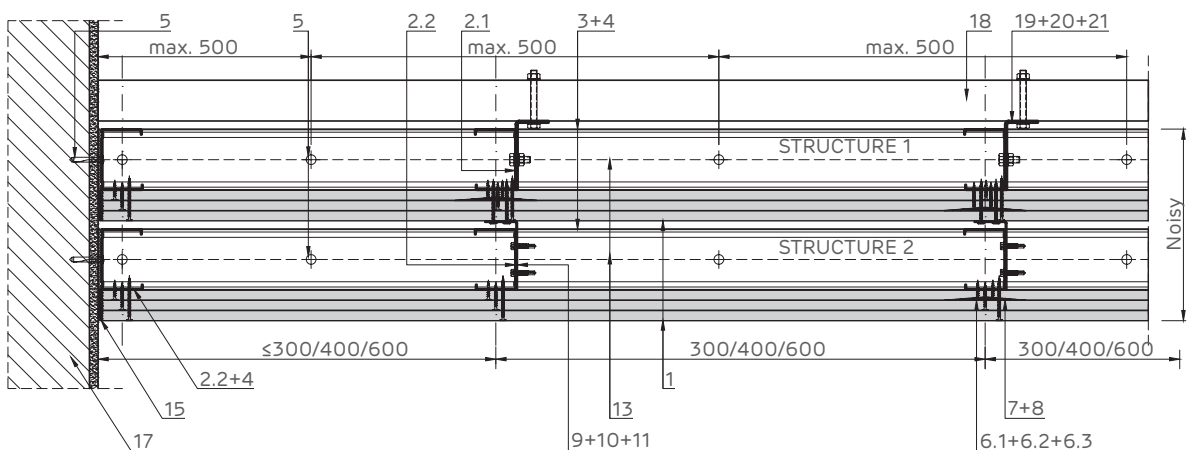
Horizontal section:  
Crossing with NIDA System D distribution wall.



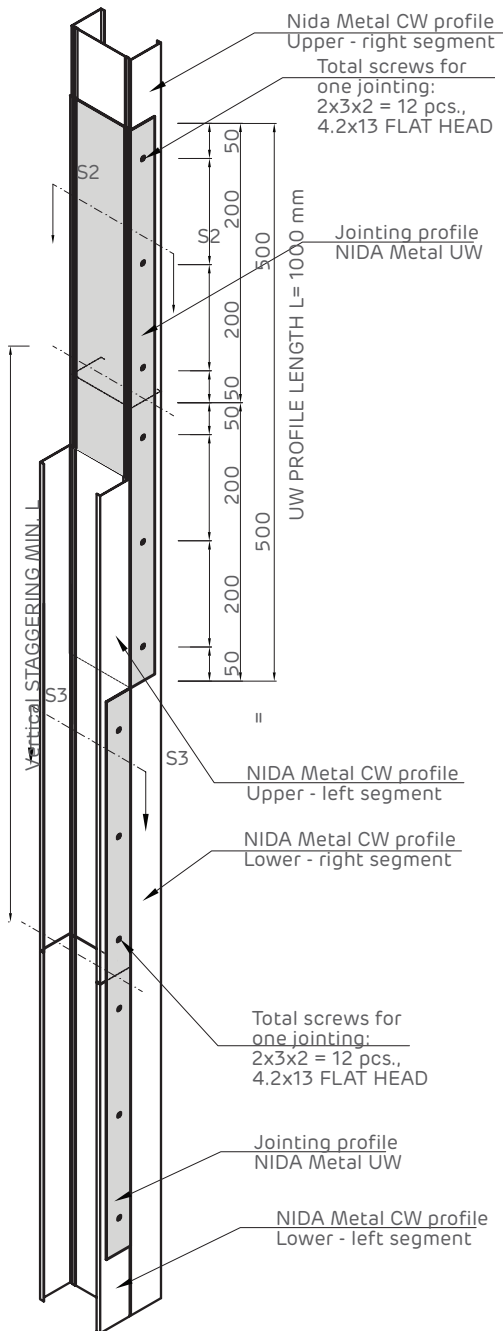
Joining detail of  
NIDA Metal CW single profiles.



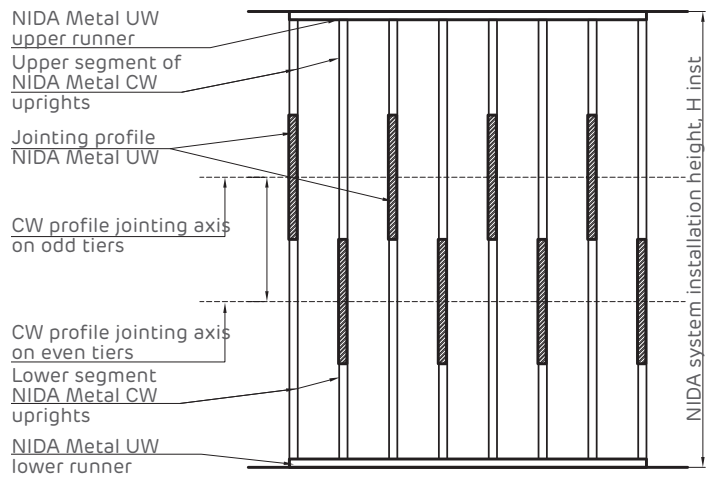
Horizontal section: Rigid jointing with sturdy item



Jointing detail of NIDA Metal CW double profiles.

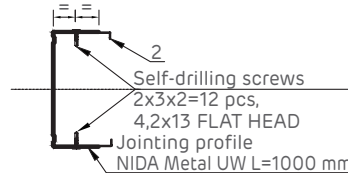


NIDA Metal CW profile joint staggering System elevation.

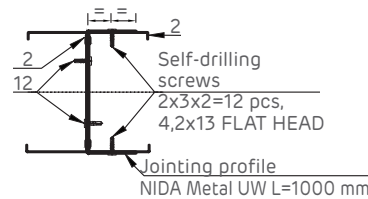


Board staggering. System elevation. Vertical and horizontal joints should be staggered to avoid overlap

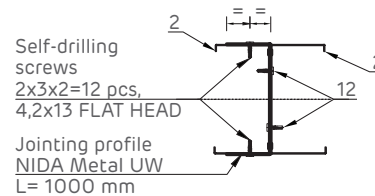
Section S1



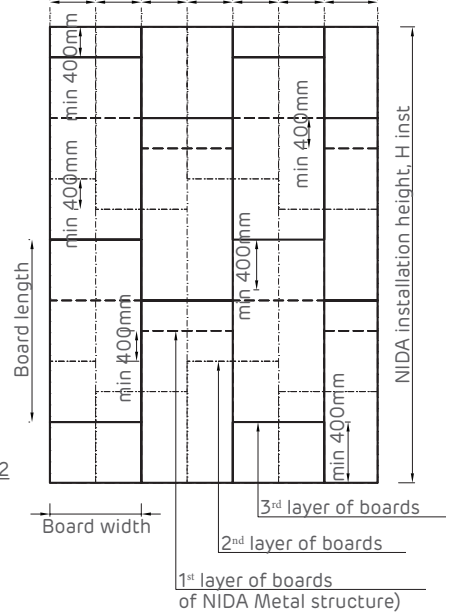
Section S2



Section S3



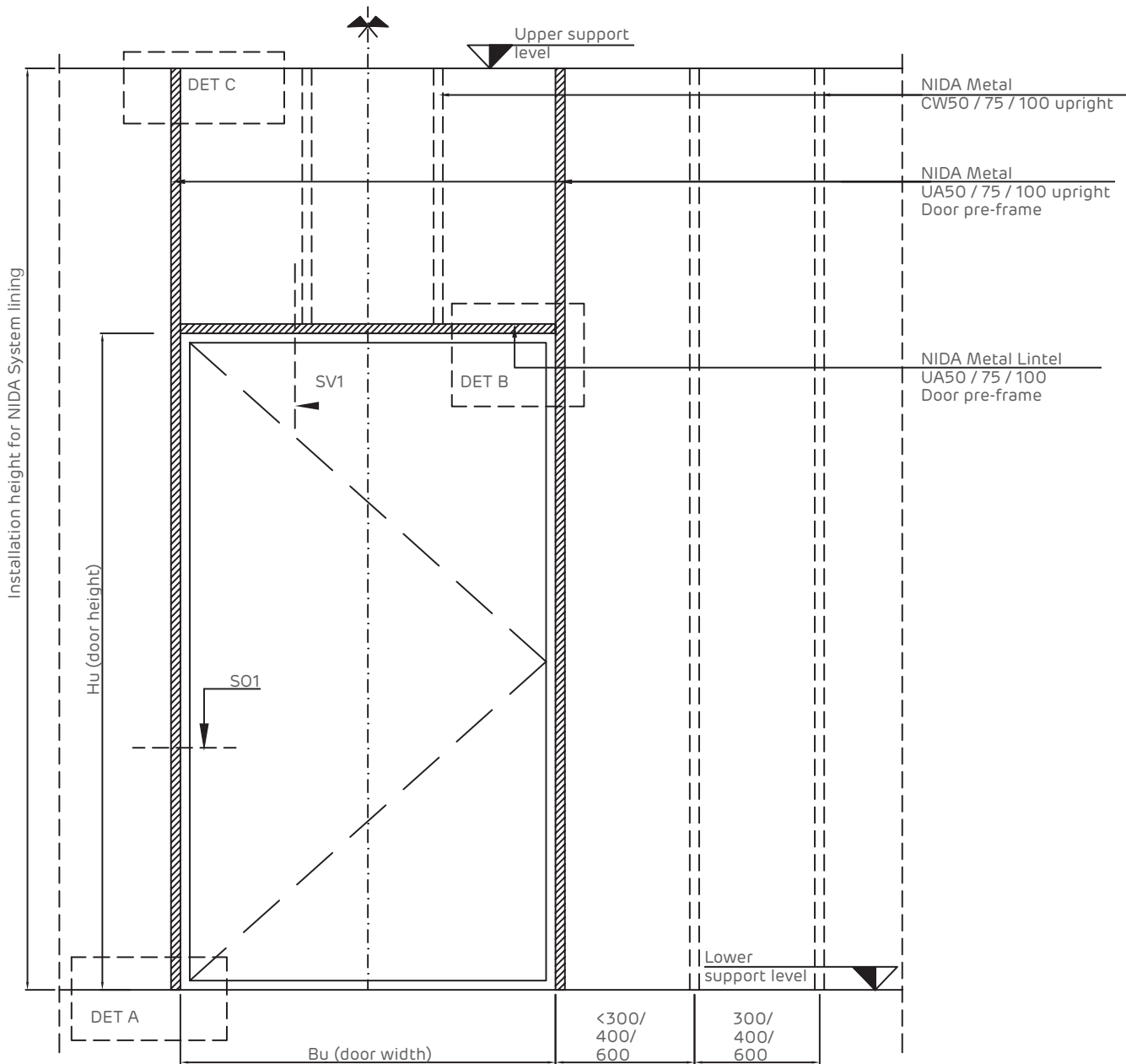
NIDA Metal CW/UA/CD profile upright interaxis



- 1 2x3 Siniat plasterboard
- 2.1 NIDA Metal CW @ Structure 1 single upright
- 2.2 NIDA Metal CW @ Structure 2 single upright
- 2.3 NIDA Metal CW @ Structure 1 double upright
- 2.4 NIDA Metal CW @ Structure 2 double upright
- 3 NIDA Metal UW runner profile
- 4 Single-sided sealing tape
- 5 Mechanical fixing - Max. pitch 500 mm (\*1)
- 6.1 Self-tapping screw 212xL1 @ 600
- 6.2 Self-tapping screw 212xL2 @ 600
- 6.3 Self-tapping screw 212xL3 @ 300
- 7 Jointing tape (\*2)
- 8 NIDA Profesional jointing plaster
- 9 200x40x40x2 mm corner iron Laid out vertically @ 500 mm
- 10 Self-drilling 5.5x25 2 pcs./fastening
- 11 Self-tapping screw 212xL4 + flat washer @500mm
- 12 Self-drilling screw 4.2x13 FLAT HEAD in zigzag@500mm
- 13 Mineral wool
- 14 NIDA Profesional corner protection profile
- 15 NIDA Boardfix adhesive
- 16 MOLLY @ 500 mm metal dowel
- 17 Rigid (concrete) support
- 18 Intermediate horizontal beam of the building structure
- 19 NIDA Metal angle 2 mm
- 20 Mechanical fixing (\*1) 2 pcs/attachment
- 21 M8 screws 2 pcs/attachment

# NIDA System - Door Pre-Frame

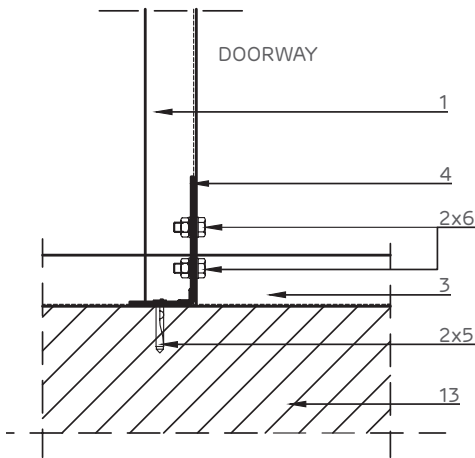
NIDA Metal UA 50 / 75 / 100 Structure Elevation of partition wall structure and door pre-frame



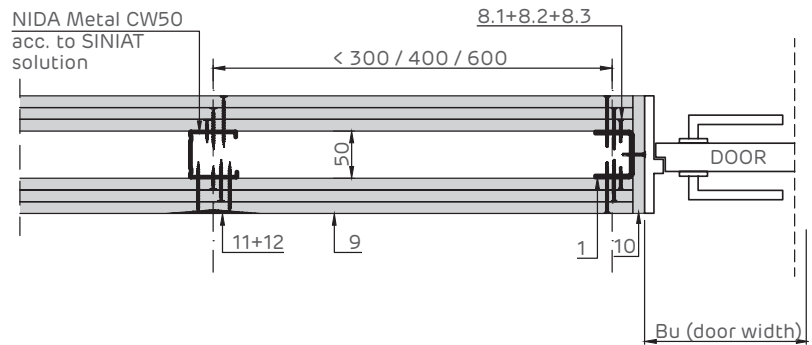
# NIDA System - Door Pre-Frame

## NIDA Metal UA50 Structure

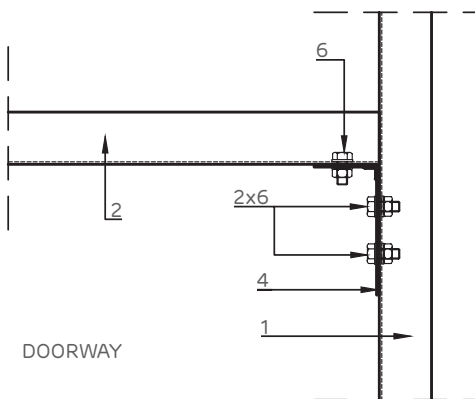
### Det A - Vertical section



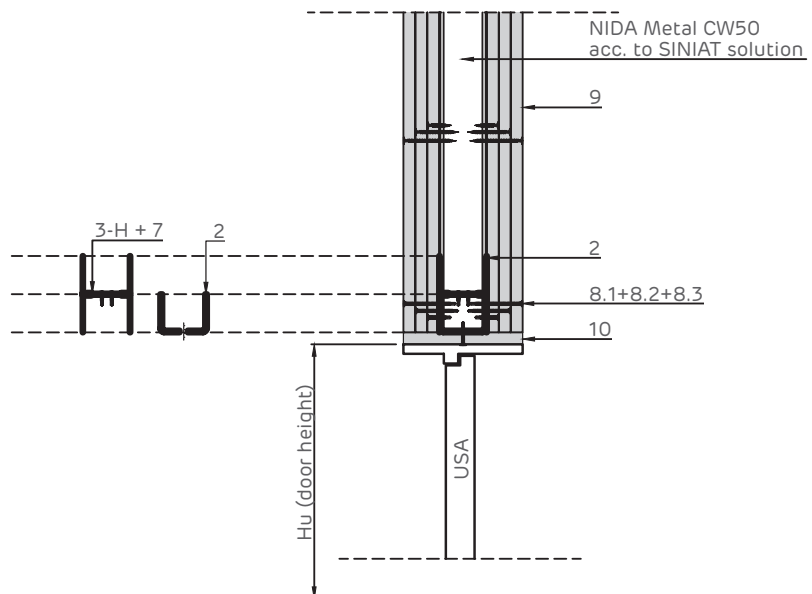
### S01.horizontal section



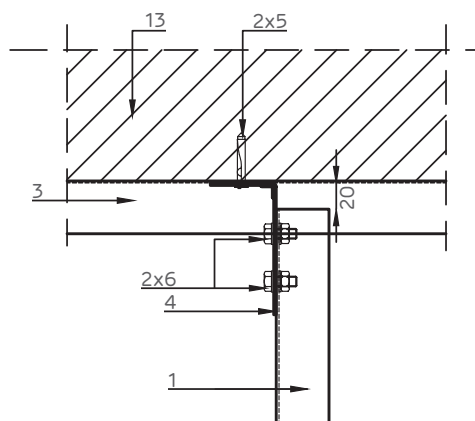
### Det B - Vertical section



### Horizontal section SV1.



### Det C - Vertical section



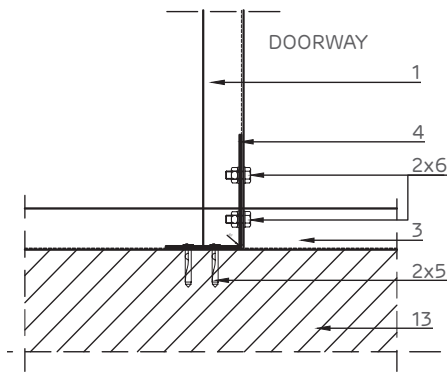
(iii) The best performing wallboard with superior fire resistance should be chosen.  
Example: If the wall is composed of NIDA Standard 12.5 mm and NIDA Flam 12.5 mm, NIDA Flam 12.5 mm should be chosen.

- 1 NIDA Metal UA50 upright Door pre-frame
- 2 NIDA Metal UA50 lintel Door pre-frame
- 3 NIDA Metal UW50 runner profile
- 4 Angle bracket for UA50
- 5 Metal dowel / Conexpand (\*1)
- 6 M8 screw with washer and nut
- 7 Self-drilling screws 4.2x13 FLAT HEAD
- 8.1 Self-drilling screw 221x25 @ 600
- 8.2 Self-drilling screw 221x45 @ 600
- 8.3 Self-drilling screw 221x55 @ 300
- 9 1 / 2 / 3 x Siniat plasterboard
- 10 Siniat board strip (iii)
- 11 NIDA Profesional jointing plaster
- 12 Fiberglass tape
- 13 (Reinforced concrete) bearing support

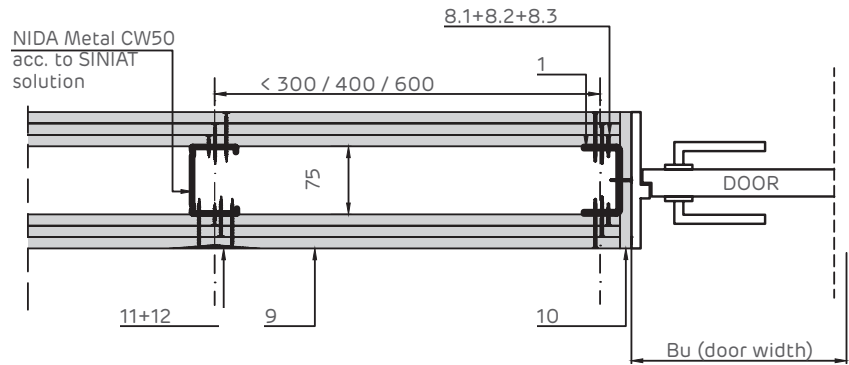
# NIDA System - Door Pre-Frame

## NIDA Metal UA75 Structure

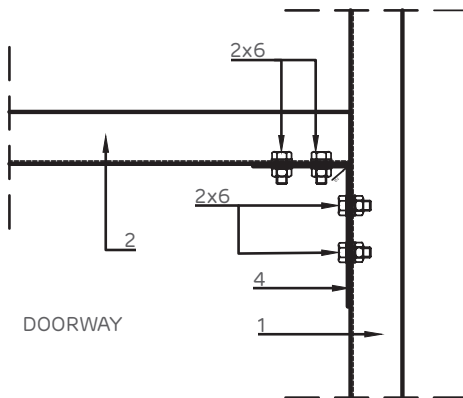
Det A - Vertical section



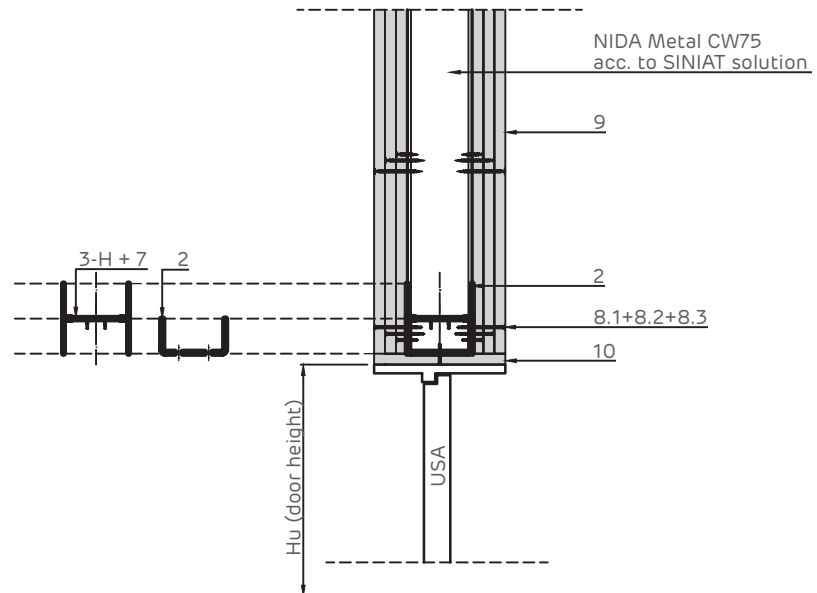
S01.horizontal section



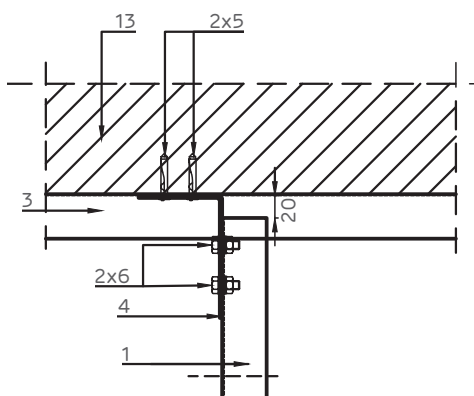
Det B - Vertical section



Horizontal section SV1.



Det C - Vertical section



(iii) The best performing wallboard with superior fire resistance should be chosen.

Example: If the wall is composed of NIDA Standard 12.5 mm and NIDA Flam 12.5 mm, NIDA Flam 12.5 mm should be chosen.

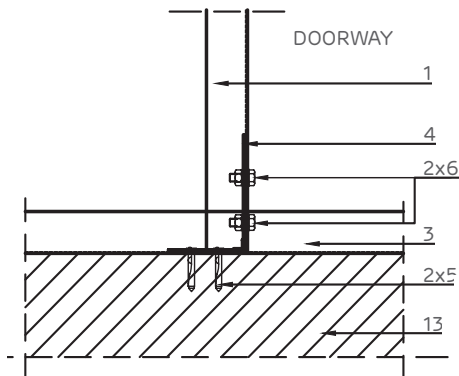
- 1 NIDA Metal UA75 upright Door pre-frame
- 2 NIDA Metal UA75 lintel Door pre-frame
- 3 NIDA Metal UW75 runner profile
- 4 Angle bracket for UA75
- 5 Metal dowel / Conexpand (\*1)
- 6 M8 screw with washer and nut
- 7 Self-drilling screws 4.2x13 FLAT HEAD
- 8.1 Self-drilling screw 221x25 @ 600
- 8.2 Self-drilling screw 221x45 @ 600
- 8.3 Self-drilling screw 221x55 @ 300
- 9 1 / 2 / 3 x Siniat plasterboard
- 10 Siniat board strip (iii)
- 11 NIDA Profesional jointing plaster
- 12 Fiberglass tape
- 13 (Reinforced concrete) bearing support



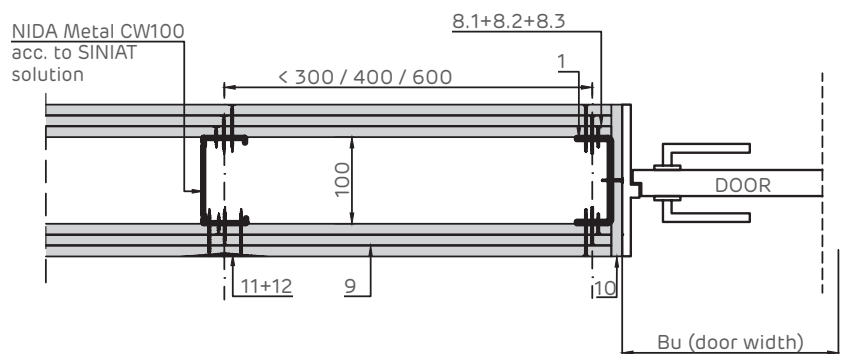
# NIDA System - Door Pre-Frame

## NIDA Metal UA100 Structure

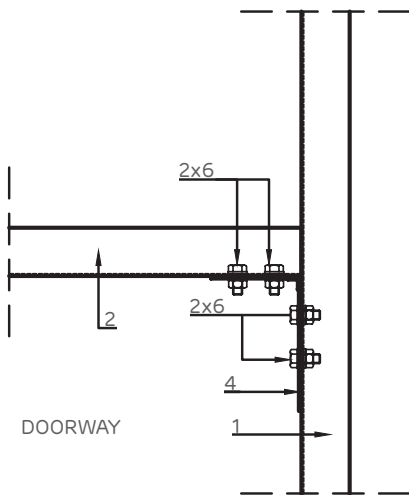
Det A - Vertical section



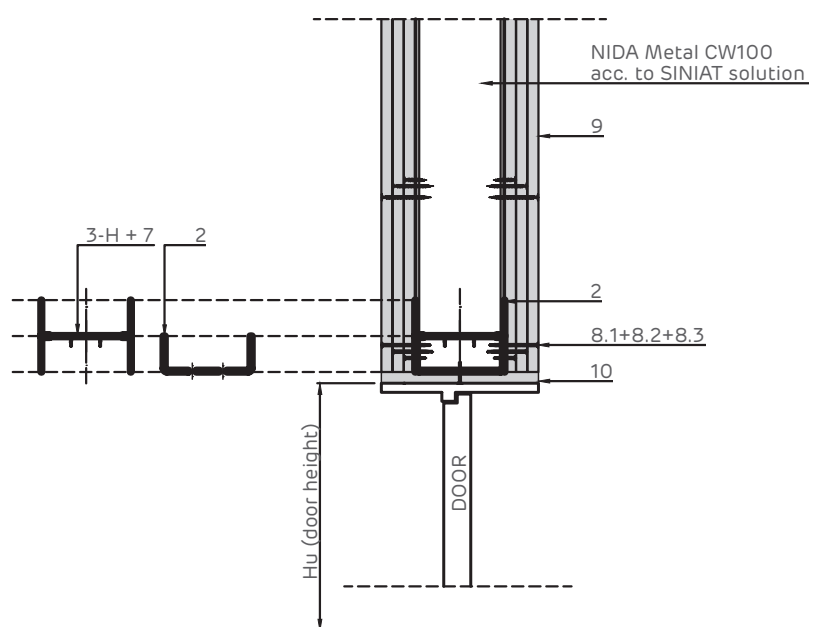
S01.horizontal section



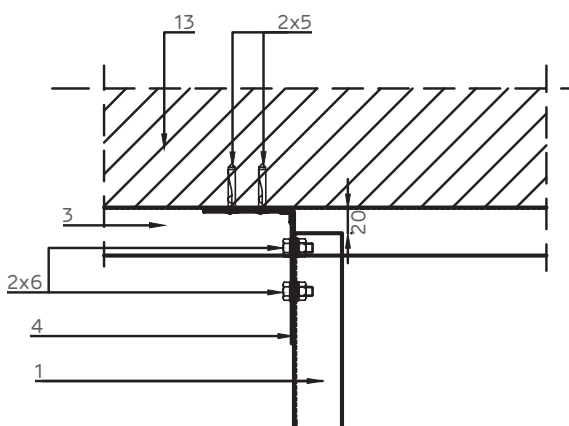
Det B - Vertical section



Horizontal section SV1.



Det C - Vertical section.



- 1 NIDA Metal UA 100 upright Door pre-frame
- 2 NIDA Metal UA 100 lintel Door pre-frame
- 3 NIDA Metal UW 100 runner profile
- 4 Angle bracket for UA100
- 5 Metal dowel / Conexpan (\*1)
- 6 M8 screw with washer and nut
- 7 Self-drilling screws 4.2x13 FLAT HEAD
- 8.1 Self-drilling screw 221x25 @ 600
- 8.2 Self-drilling screw 221x45 @ 600
- 8.3 Self-drilling screw 221x55 @ 300
- 9 1 / 2 / 3 x Siniat plasterboard
- 10 Siniat board strip (iii)
- 11 NIDA Profesional jointing plaster
- 12 Fiberglass tape
- 13 (Reinforced concrete) bearing support

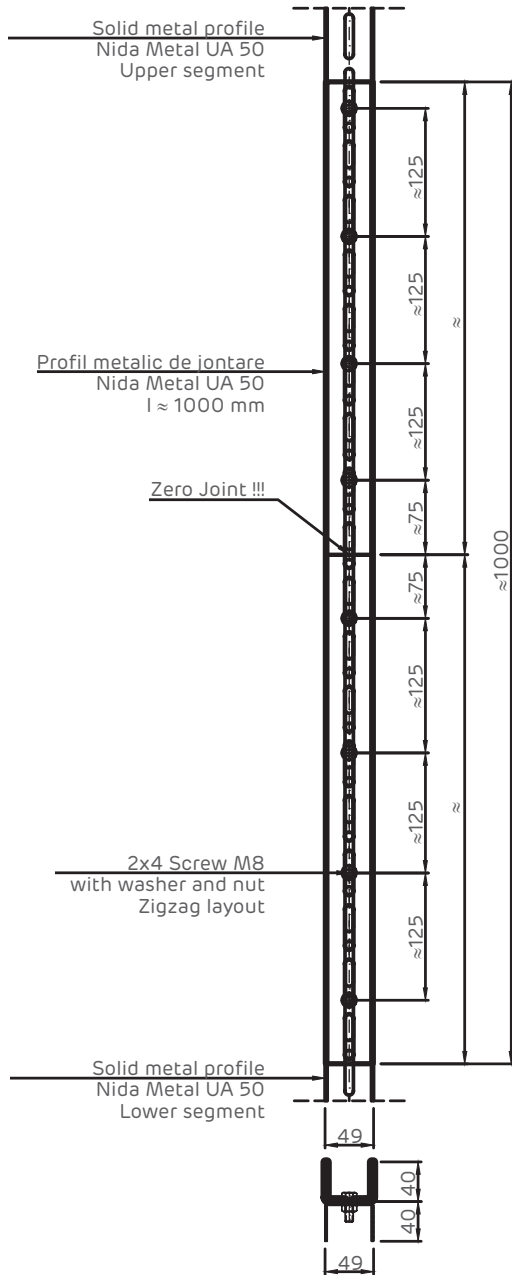
(iii) The best performing wallboard with superior fire resistance should be chosen.  
 Example: If the wall is composed of NIDA Standard 12.5 mm and NIDA Flam 12.5 mm, NIDA Flam 12.5 mm should be chosen.



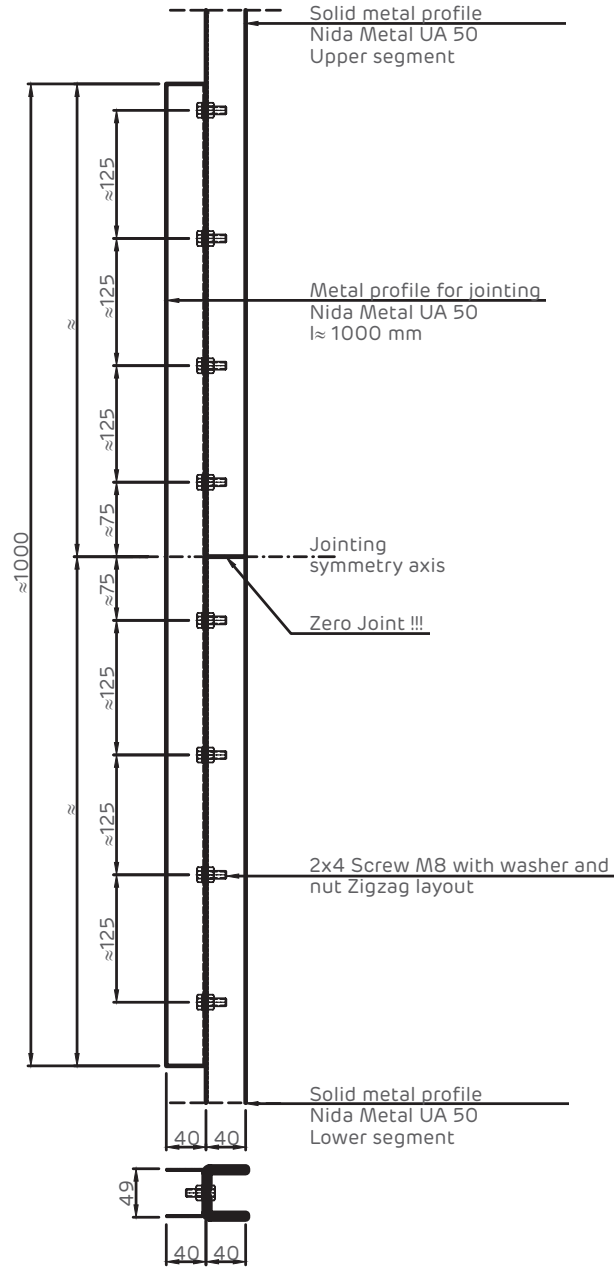


# NIDA System - UA50 profile jointing details

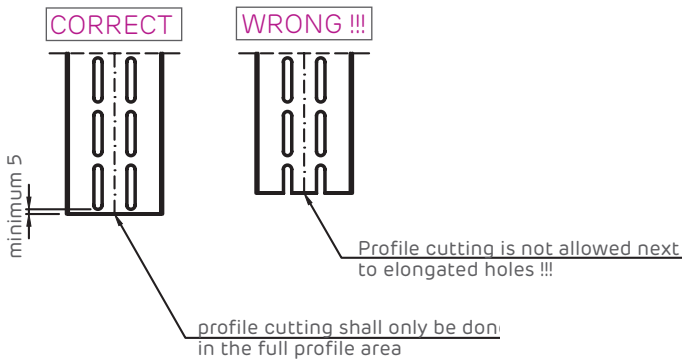
Nida Metal UA 50 profile jointing details. Side view.



Nida Metal UA 50 profile jointing details. Local elevation.



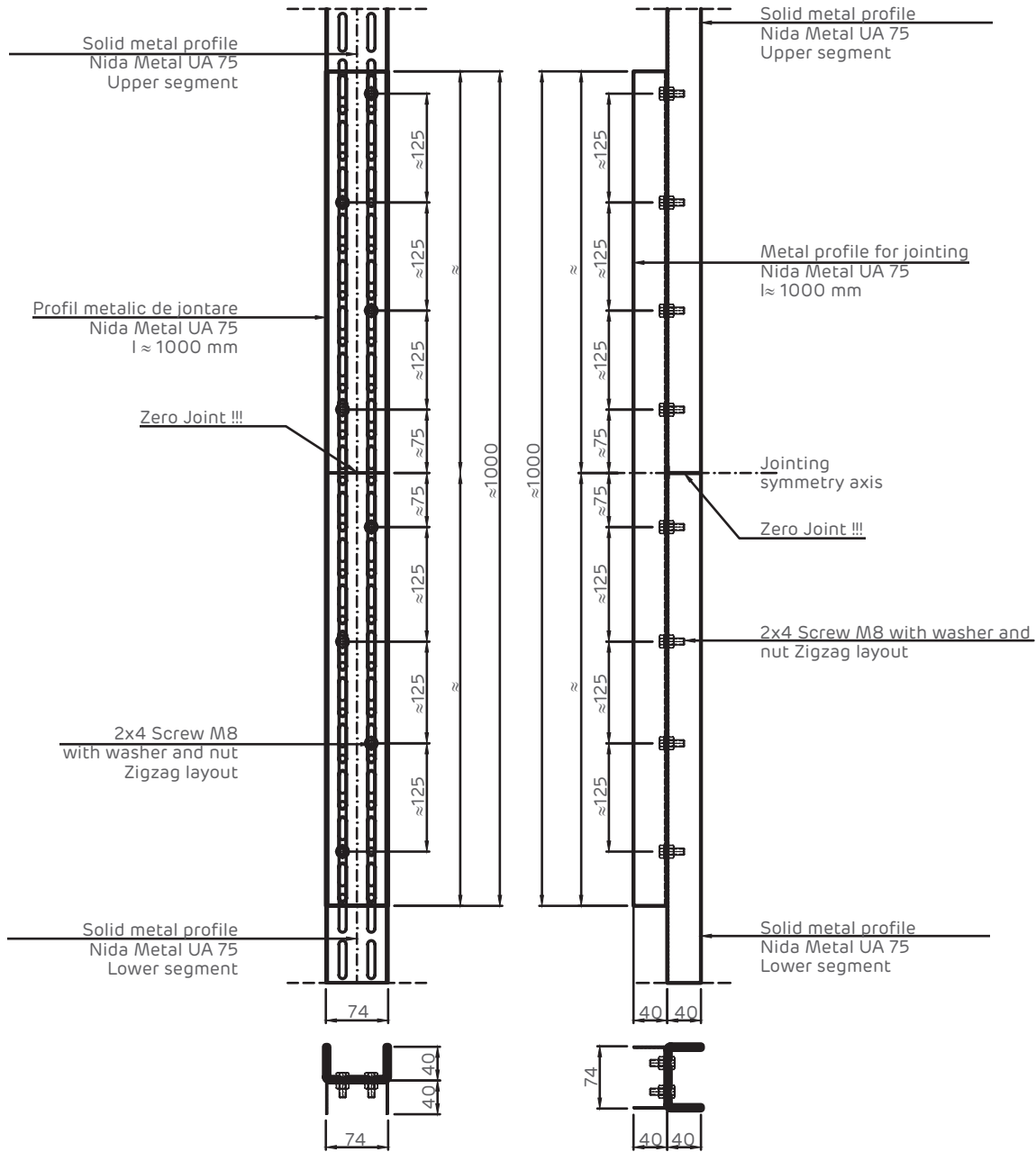
UA profile cutting method.



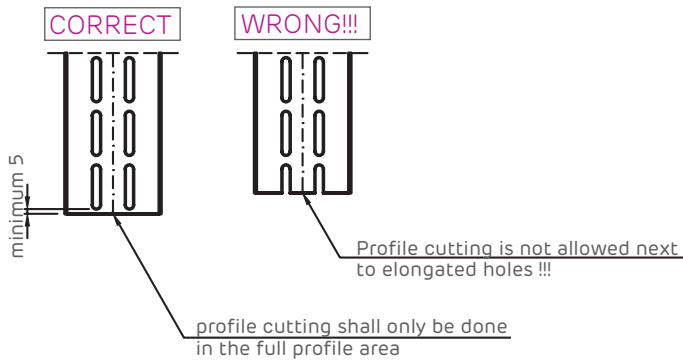
# NIDA System - UA75 profile jointing details

Nida Metal UA 75 profile jointing details.  
Side view.

Nida Metal UA 75 profile jointing details.  
Local elevation.

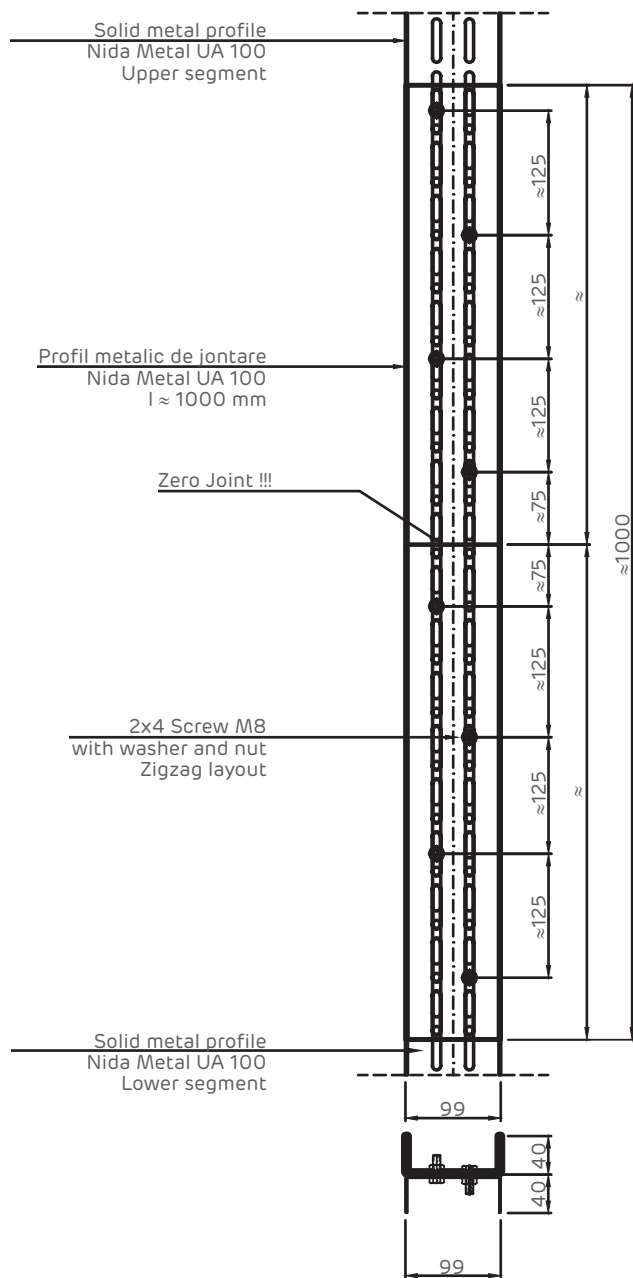


UA profile cutting method.

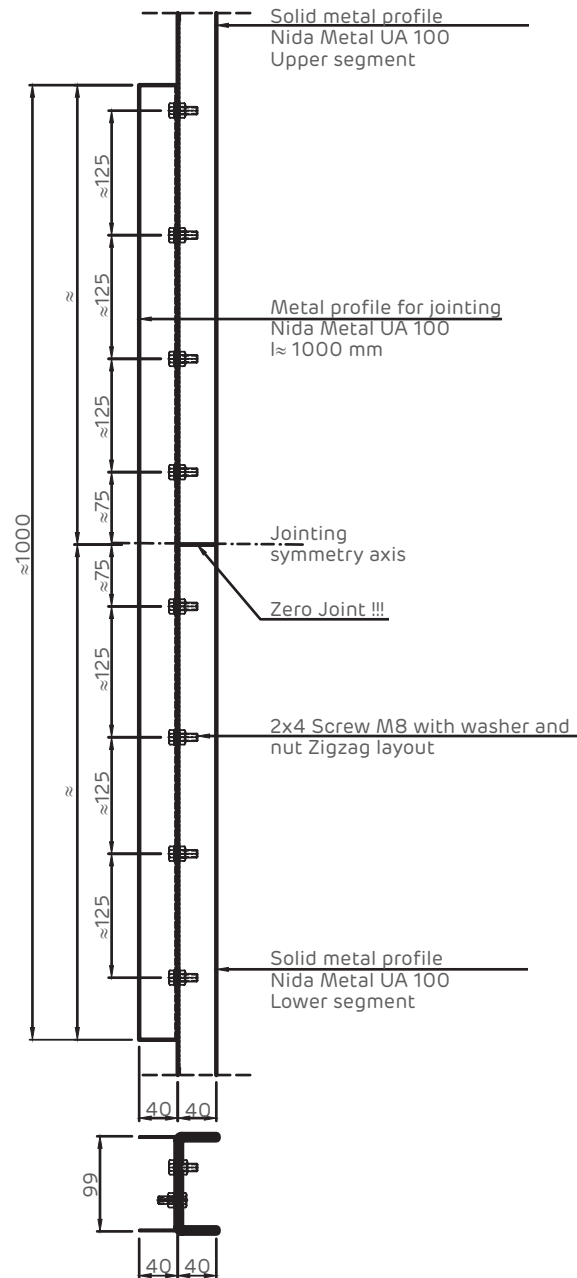


# NIDA System - UA100 profile jointing details

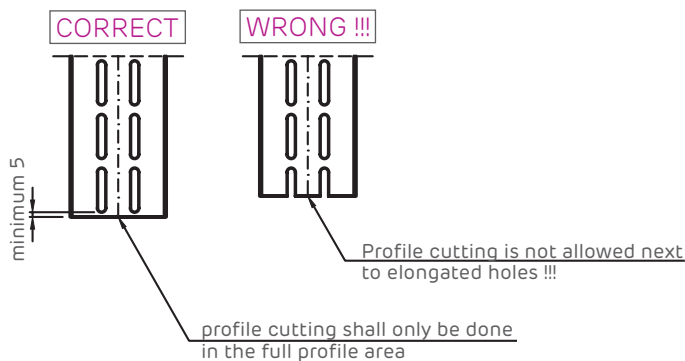
Nida Metal UA 100 profile jointing details. Side view.



Nida Metal UA 100 profile jointing details. Local elevation.



UA profile cutting method.

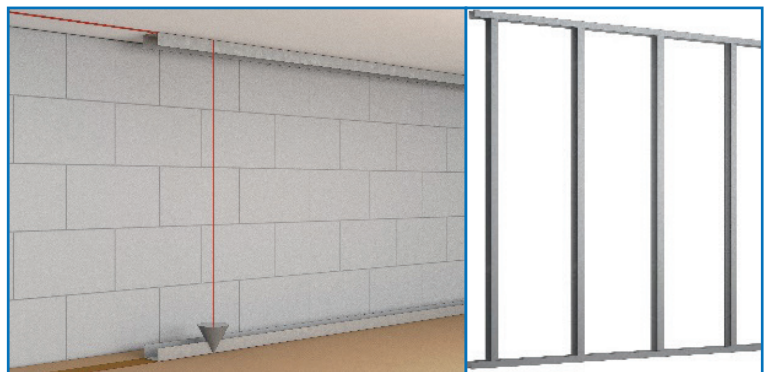


## Setting guidelines for lining systems and shaft-wall on NIDA Metal structure

### Stage 1: Marking and mounting the metal structures

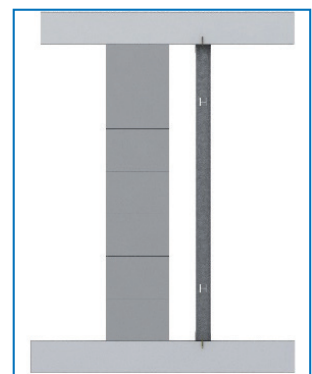
#### Step 1

Mark out the position of the UW/UD runners on the floor, taking into account the thickness and number of plasterboards to be set up.



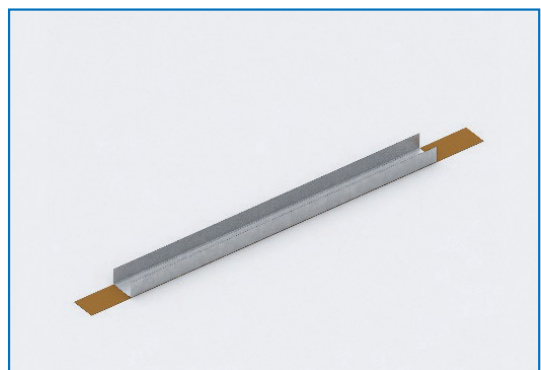
#### Step 2

Cut the CW/CD uprights to a length 10 mm less than the distance between the floor and the ceiling



#### Step 3

Apply sealing tape to the runner profile to improve the acoustic properties.



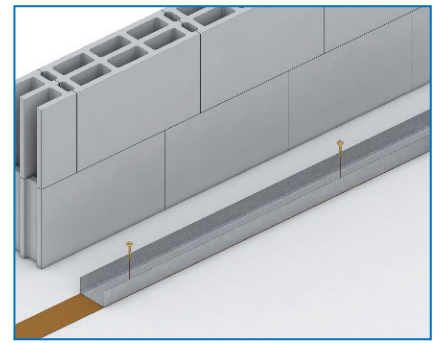
### Step 4

Fix the runner profile to the floor and anchor it by one of the following methods:

- Mechanically at 50 cm pitch with dowel screws;
- Bonding if the substrate is clean and smooth;
- Dowel driving

**NOTE:**

Only non-combustible or fire certified fasteners (e.g. metal dowel, mechanical anchor, etc.) shall be used for fire resistant systems.



### Step 5

Mark the position of the upright profiles inside the runners (at 60, 40 or 30 cm intervals as appropriate) on both the floor and the ceiling.



## Stage 2: Mounting of uprights and intermediate fasteners (adjustable clamps / Corner irons)

### Step 1

**Applies only to NIDA System T.CD and T.CW.F type systems**

Mark the locations of the intermediate fasteners on the supporting wall. They are fixed to the supporting element using metal dowels.

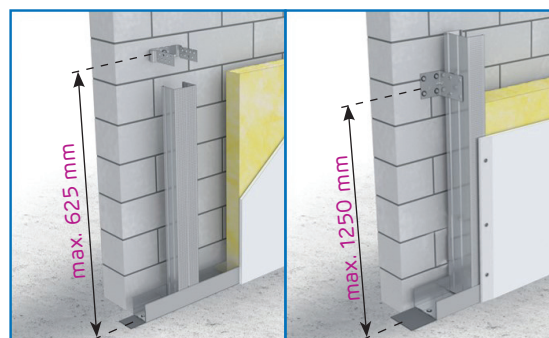
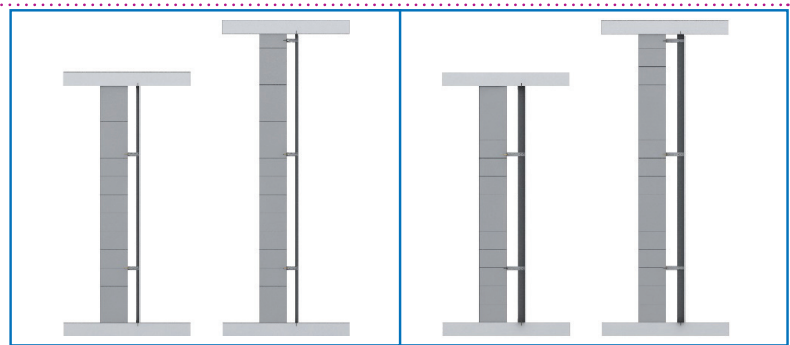


### Step 2

**Applies only to NIDA System T.CD and T.CW.F type systems**

The maximum distances between the fasteners, clamp or corner irons at the ends of the uprights towards the floor and ceiling respectively must not exceed the values of: 625 mm in the case of clamps with CD profiles and 1250 mm in the case of corner irons with CW profiles.

A minimum of two fasteners (clamp or corner iron) must be used per upright (CD or CW profile).





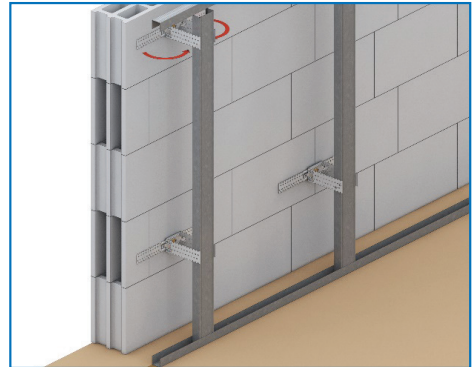
**Step 3**

Mounting of vertical uprights

**Step 4**

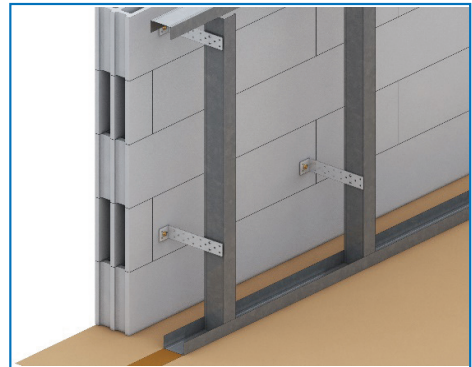
**Applies only to NIDA System T.CD type systems**

**Adjustable clamps:**  
Place the vertical uprights inside the adjustable metal clamps. Slightly tilt the upright profile when inserting it into the runner. Bring the adjustable clamp arms into position and fix them to the upright profile using the self-drilling screws;

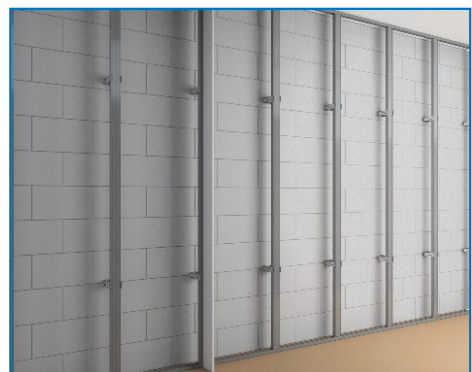
**Step 5**

**Applies only to NIDA System T.CW.F type systems**

**Corner irons:**  
Cut the wing of the corner iron to the desired length. Insert the upright profile into the runner and position it next to the corner iron. Secure with self-drilling screws.

**Step 6**

After fixing the uprights to the intermediate fasteners, check the flatness and verticality of the metal structure thus created using specific tools (water level)





## Stage 3: Thermal and sound insulation

### Step 1

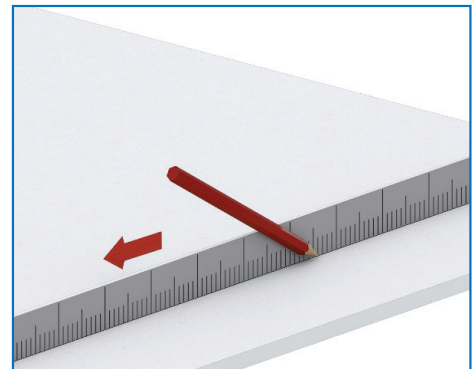
- Position the glass wool insulation layer between the supporting wall and the metal structure before fixing the plasterboards.
- Lay electrical wiring and any installations



## Stage 4: Cut-out of NIDA plasterboards

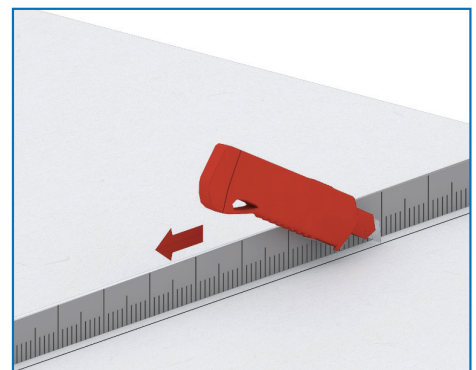
### Step 1

Using the pencil and metal ruler, mark the part to be cut out



### Step 2

Cut the cardboard from the face of the board with a retractable knife guided by a metal ruler



### Step 3

Tear the board by applying a short stroke



**Step 4**

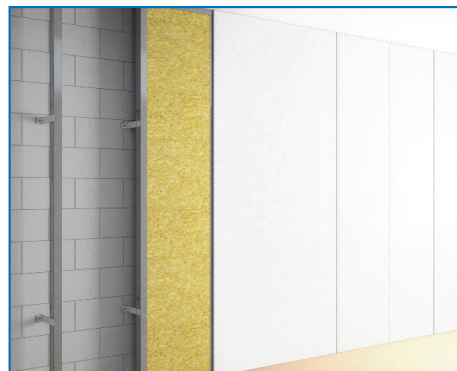
Cut the cardboard from the opposite side.



## Stage 5: Mounting of NIDA plasterboards

**Step 1**

Position the boards in a vertical position, glued to the uprights and secured up to the ceiling. If it is necessary to cut out the electrical sockets, it is advisable to do this before mounting the boards, using a pendulum saw.

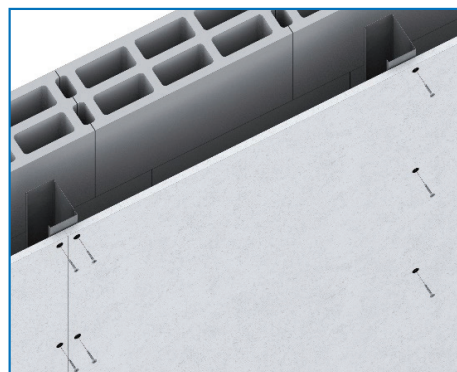
**Step 2**

Fix the boards to the metal profiles using NIDA System screws:

- The vertical distance between them should be 300 mm maximum, the recommended distance is 250 mm;
- The distance to the edge of the board should be 10 mm;
- Fix to both upright and runner profiles, screwing from bottom to top at constant intervals.

**Step 3**

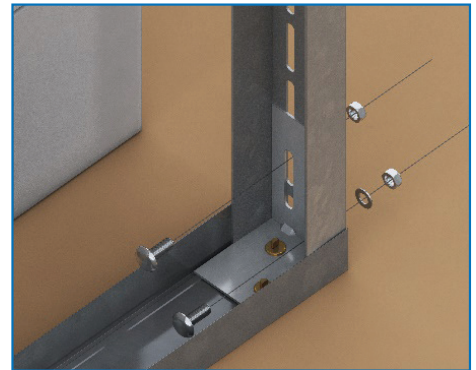
If several layers of boards are installed, the first layers of boards starting from the metal structure are installed with screws at a maximum distance of 60 cm and the last layer with screws at 25-30 cm.



## Fitting the metal structure for door pre-frames

### Step 1

Attach a corner bracket for the UA to the end of the UW runner profile mounted on the floor and ceiling. It is fixed by means of mechanical fasteners



### Step 2

Position the UA upright profile that will form the door pre-frame and fix it to the previously mounted corners with two M8 screws, both at the bottom and top.



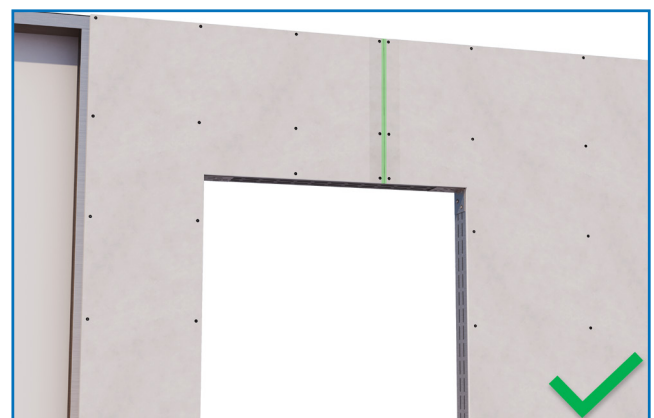
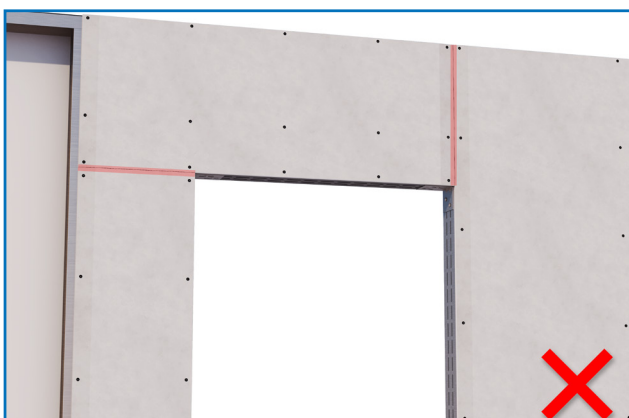
### Step 3

Mark on the AU uprights the position at which the horizontal profile is to be mounted at the top. Fit two UA corner brackets with one wing downwards and fix them to the upright profiles with two M8 screws each. The UA profile is to be mounted onto these two corner brackets and secured to them with two M8 screws.



## Correct plasterboard lining in the doorway area

In the doorway area, in order to avoid cracks at the joints, the plasterboards should be installed in such a way that there is no horizontal or vertical joint between the boards in continuation of the doorway sides.







## Bond lining Installation Guidelines

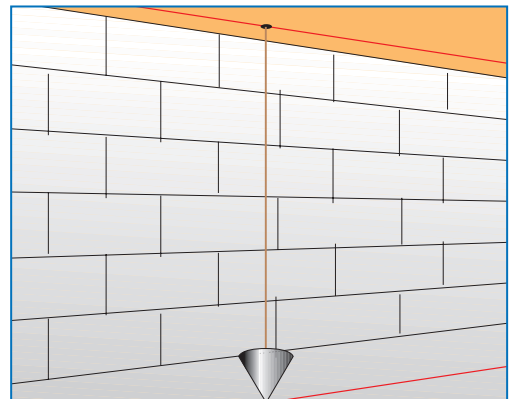
### Stage 1: Mark out the lining

#### Step 1

Mark out the locations of the boards on the slab taking into account the thickness of the lining.

In the case of old surfaces, check the adhesion conditions by removing the existing plaster that "sounds", degreasing and washing the surfaces thoroughly.

If the surfaces are already covered with wet plaster, it is necessary to clean the entire surface or at least in the area of the bonding points.



### Stage 2: Preparation of NIDA Boardfix adhesive plaster

#### Step 1

Pour water into a clean pot according to the dosage indicated on the NIDA Boardfix adhesive plaster bag.



#### Step 2

Sprinkle the adhesive plaster powder into the water (see quantities indicated on the bag).



**Step 3**

Mix until you have a homogeneous and consistent paste.

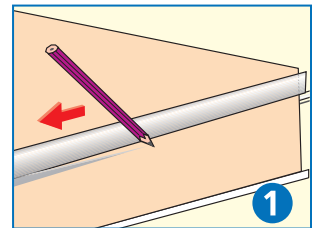
**Remarks**

Mixing must be done in a perfectly clean plastic or rubber pot and the water must be clean and come from, for example, the drinking water supply. The temperature of the water and the environment must be above 5°C. NIDA Boardfix adhesive plaster should be prepared according to the instructions on the back of the bag and in the data sheet.

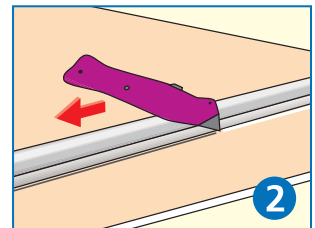
## Stage 3: Cutting out NIDA plasterboards

**Step 1**

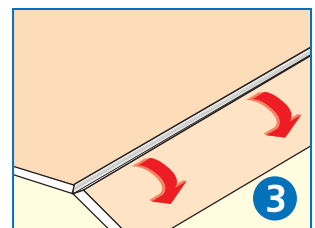
Using the pencil and metal ruler, mark the part to be cut out.

**Step 2**

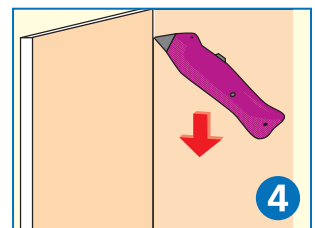
Cut the cardboard from the face of the board with a retractable knife guided by a metal ruler.

**Step 3**

Tear the board by applying a short stroke.

**Step 4**

Cut the cardboard from the other side.



## Stage 4: Bonding of NIDA plasterboards

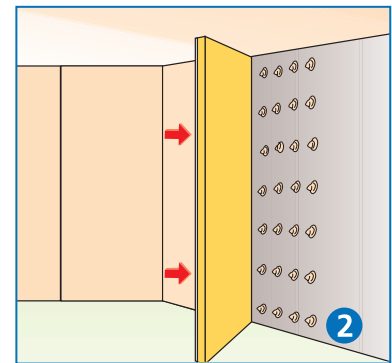
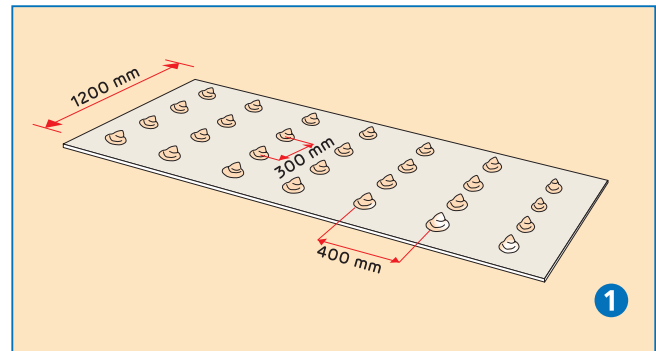
### Step 1

#### New walls

Apply the adhesive plaster as "dots on lines" on the boards **1** or directly on the walls **2** (10 dots of 100 mm/m<sup>2</sup>  $\phi$  diameter).

#### Old walls

Apply the adhesive plaster to the wall after first smoothing and priming the existing wall.



#### NIDA Boardfix adhesive plaster consumption

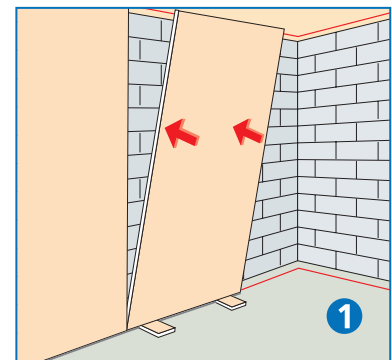
SUPPORT TYPE	kg / m <sup>2</sup>
Raw concrete	1.50 - 2.00
Brickwork	2.00 - 2.50
Uneven renders 1÷ 2 cm	2.50 - 3.00

## Stage 5: Mounting of NIDA plasterboards

### Step 1

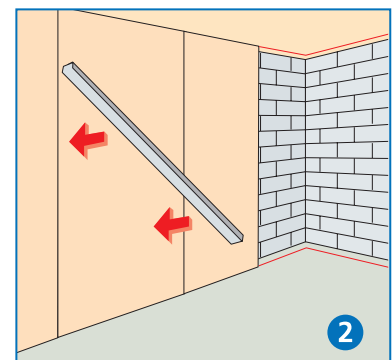
Position 2 plasterboard strips 10 mm thick at the base of the wall and place the board vertically.

Press the board firmly against the backing wall until you reach the marks drawn previously.



### Step 1

Check the flatness of the surfaces obtained by making the necessary corrections



## General considerations

- The method of fixing Siniat's NIDA plasterboard system to the structure of the building, at the bottom, top and sides, will be chosen in consultation with the specialist designer of the work. The mechanical fixing (connections) will be sized taking into account the nature of the supporting material (plain concrete, reinforced concrete, screeds, metal structures, wood...), the maximum effective forces computed in accordance with the legislation in force, the load-bearing capacities of the chosen fixing elements and the mounting possibilities. In the case of fire-resistant systems, only steel fasteners should be used.
- The fixing methods shown in the Siniat documentation are for illustrative purposes only. Wrong choice of fixing methods is likely to significantly affect the performance of the plasterboard system.
- The maximum recommended heights of partitioning systems, walls, take into account a H/240 maximum allowable deformation;
- The plasterboard systems should be configured by the specialist designer who must take into account the specifics of the project (heights, location, wind pressure, fire resistance, sound insulation, etc.).
- The construction solutions presented herein are given as examples. The works will only be carried out with the agreement of the specialist designer of the works, following their adaptation to the specific characteristics of the project.
- The final construction solutions to be implemented during construction will be submitted for verification and approval to the project verifiers.
- Penetration of fire-resistant systems shall be avoided as closely as possible. Penetration means any joint or gap that passes partially or completely through the plasterboard system. If such a solution is nevertheless required, we recommend treating them with materials that meet the essential requirements of the system (fire resistance, acoustic performance...) and the project specifications. Final solutions dealing with such situations will be submitted for verification and endorsement to the project verifiers.
- NIDA Metal UW runner profiles will be fixed to the supporting structure (floor slab, floor, concrete/metal pillars/beams, roof structure, etc.) by means of fasteners arranged at 500 mm pitch (mechanical fixing) or by other mutually agreed methods in case of special details.
- For high acoustic performance we recommend filling the structural cavity of plasterboard systems with mineral wool. We recommend consulting a specialist (engineer, architect, etc.) for the implementation of technical solutions in projects.
- The structural joints of the building must also be maintained in the finishes, where the structural conformity of plasterboard systems must allow one side to slide independently of the other. The size of the joints shall be greater than the maximum deformation that may occur in the structure.
- In the case of walls longer than 15 m, vertical expansion joints should be provided at 10 m intervals.
- In case of deformations of structural elements (ceiling, columns, anchor beams, etc.) a sliding joint between the plasterboard system and the structural element should be implemented. For this detail, please refer to SINIAT Technical Assistance Department.
- The recommendations for joint treatment are a code of good practice and do not completely rule out the risk of cracking, which can be influenced by external factors such as vibration, wide temperature variations to which the plasterboard system is exposed, etc.
- The average quantities given in the documentation are indicative and represent an estimate of the system's material requirements per square metre. The loss coefficient is not included in the calculation, as it will be determined by the builder according to the specific characteristics of the work.
- The declared performances of the systems/products are obtained using only SINIAT products.
- The information should always be used by adapting the systems to the specifics of the project.
- Errors may occur in the technical documentation as a result of the editing and printing process. We strive for zero errors. We are grateful for any suggestions for improving this documentation and we look forward to hearing from you at: [office@siniat.com](mailto:office@siniat.com).
- The indications contained in the presentation materials do not exempt the buyer or seller from verifying on their own responsibility the conformity of the scope of the product or system on site.
- Modifications, edits and photocopies of the documentation require SINIAT written approval and SINIAT accepts no liability for the consequences of their use.
- It is recommended that the mounting of SINIAT plasterboard systems be carried out only by specialised personnel trained by the manufacturer.
- The work safety rules must be strictly observed when setting up SINIAT plasterboard systems.
- The information presented in this brochure is based on laboratory tests, calculations and technical estimates. Information may be changed and updated without prior notice. Check the current version by visiting [www.siniat.ro](http://www.siniat.ro) section "Documentation".



## Contact



### Croatia Bosnia and Herzegovina

**Milenko Dadić** - SALES MANAGER  
+385 (0)99 20 28 000  
milenko.dadic@etexgroup.com

**Igor Jakšić** - SALES REPRESENTATIVE  
+385 (0)91 40 30 165  
igor.jaksic@etexgroup.com

**Mario Stjepanović** - TECHNICAL REPRESENTATIVE  
+385 (0)91 20 00 153  
mario.stjepanovic@etexgroup.com

**Office**  
Podružnica Zagreb Kovinska 4a, 10090 Zagreb,  
Croatia  
+385 1 3496 324  
+ 385 1 3794 154  
siniat.hr@etexgroup.com

### Slovenia

**Milenko Dadić** - SALES MANAGER  
+385 (0)99 20 28 000  
milenko.dadic@etexgroup.com

**Mohor Lotrič** - SALES REPRESENTATIVE  
+386 4 29 27 142  
mohor.lotric@etexgroup.com

**Office**  
Kidričeva 56b4220 Škofja Loka, Slovenia  
+386 4 51 51 451  
+386 4 51 51 450  
siniat.si@etexgroup.com

### General contact information

**Romania (central)**  
**Etex Building Performance S.A.**  
Str. Vulturilor 98, et. 5-6, code 030857,  
Sector 3, Bucharest  
+40 312 240 100  
siniat.ro@etexgroup.com



## Innovation for over 110 years

Present in 45 countries, the Etex Group inspires people around the world to build living spaces that are ever more safe, sustainable, smart and beautiful, using a wide spectrum of lightweight solutions.

From innovative modular systems to leading fiber cement and plasterboard systems. From high-performance applications for wall plastering and facade cladding to fire protection and building insulation.

### **Etex Building Performance S.A.**

Str. Vulturilor nr. 98, et. 5-6  
sector 3, Bucharest  
Tel.: (+4) 031 224 01 00  
[siniat.ro@etexgroup.com](mailto:siniat.ro@etexgroup.com)



For details and solutions,  
please visit  
[www.siniat.hr](http://www.siniat.hr)



For details and solutions,  
please visit  
[www.siniat.si](http://www.siniat.si)

You can also find us at

